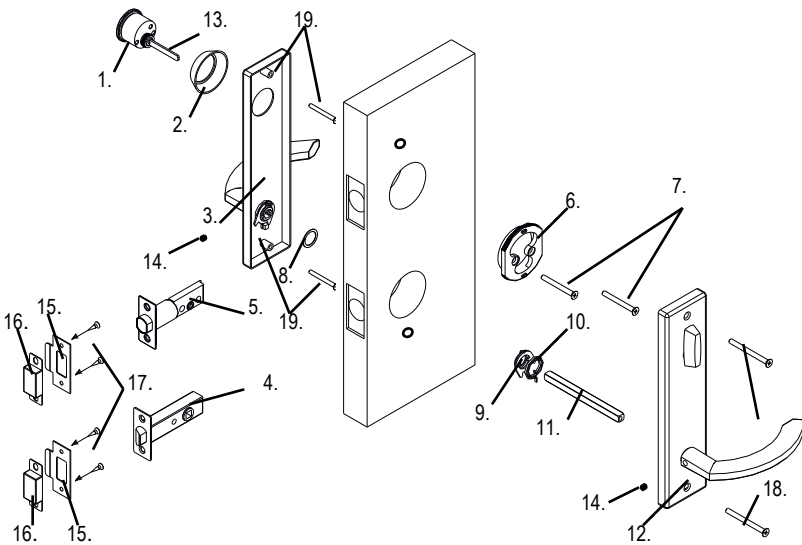


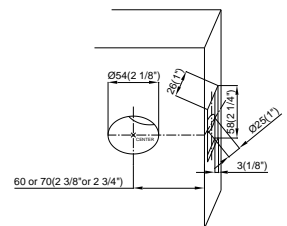
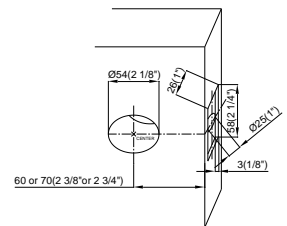
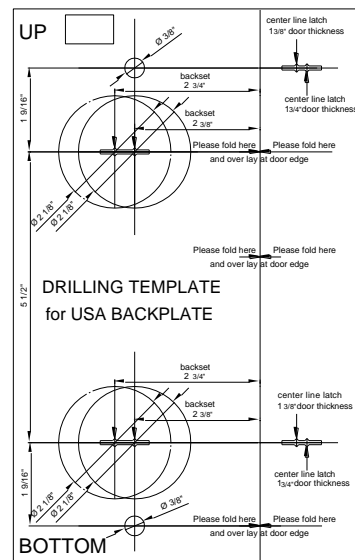
Installation Instructions for backplates



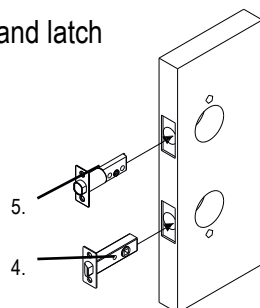
- | | | |
|-----|--|--------|
| 1. | Outside cylinder | (1pc.) |
| 2. | Outside cylinder collar (optional) | (1pc.) |
| 3. | US backplate outside | (1pc.) |
| 4. | Latch | (1pc.) |
| 5. | Bolt | (1pc.) |
| 6. | Rose mounting plate | (1pc.) |
| 7. | Cylinder screws (for thin doors/thick doors) | (2pc.) |
| 8. | Plastic ring | (1pc.) |
| 9. | Security ring | (1pc.) |
| 10. | Spring | (1pc.) |
| 11. | Spindle | (1pc.) |
| 12. | US backplate inside | (1pc.) |
| 13. | Cylinder tailpiece | (1pc.) |
| 14. | Grub screws | (2pc.) |
| 15. | Strike plates | (2pc.) |
| 16. | Dust covers | (2pc.) |
| 17. | Wood screws | (8pc.) |
| 18. | Plate screws | (2pc.) |
| 19. | Screw nuts and screw prolongations | (2pc.) |

1. Door preparation

- Draw two level 3`` (76mm) center lines on each side of the door. The distance from center line to another is 5 1/2`` (140mm).
- Fold template over edge of door, mark site 2 3/8`` (60mm) or 2 3/4`` (70mm) to determine the center points of holes. The distance from center to center is 5 1/2`` (140mm).
- Please pay attention to the different door thickness and also different center line.
- Drill two 2 1/8`` (54mm) holes half way through the door on each side to prevent door from splintering. Where the door is marked for the center of the latches, drill 1`` (26mm) holes.
- Cut out 2 9/32`` 1`` 1/8`` (58 26 3mm) bases.
- Latch and bolt shall not take the bevel of the door into account.
- Bore from the lower end of the bevel to allow for this.

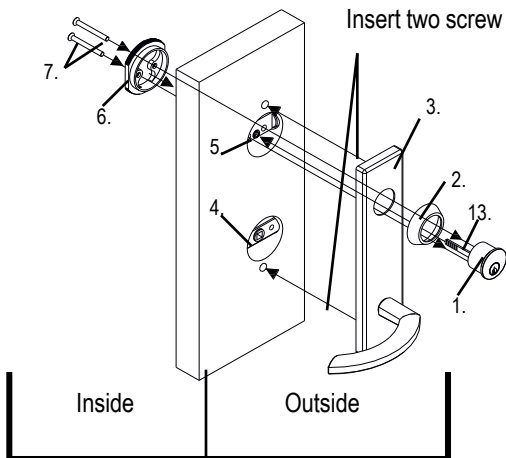


2. Installation of bolt and latch



Insert latch (4) and bolt (5) into the door.

3. Fixture of cylinder



Insert two screw nuts with screw prolongations (19) on US backplate outside (3) into the door.

Outside:

Insert screw prolongations (19) into screw nuts (19) and tighten them. Insert two screw nuts on US backplate outside (3) into the door. Insert cylinder (1) through US backplate outside (3) into bolt (5).

Inside:

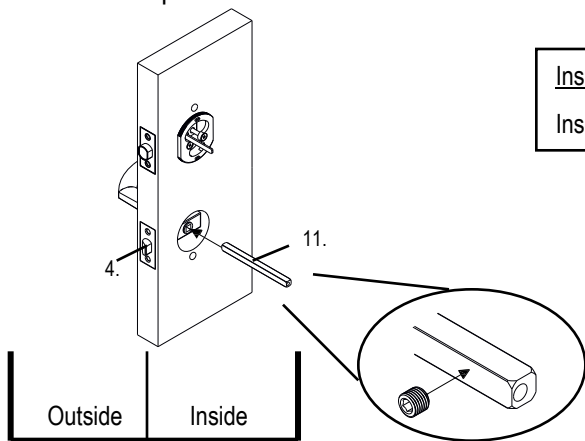
Place rose mounting plate (6) inside as shown. Insert cylinder screws (7) through rose mounting plate (6), bolt (5) and US backplate outside (3) into cylinder (1). Tighten cylinder screws (7).

Optional: Use the cylinder collar (2) for thin doors

Choose cylinder screws for different door thickness:

Door thickness	Use cylinder collar	Cylinder screws
1 3/8" (35mm)	Yes	2" (50mm)
1 3/4" (45mm)	Yes	2 9/16" (65mm)
2 1/8" (55mm)	No	2 3/8" (60mm)
2 1/2" (65mm)	No	2 3/4" (70mm)

4. Installation of Spindle



Inside:

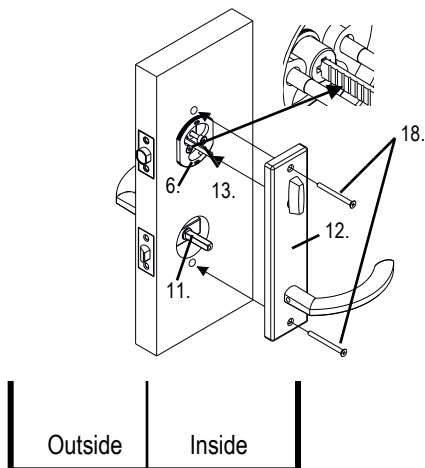
Insert spindle (11) into latch (4) and centre it.

Attention:

Insert spindle (11) in this way that the point of the grub screw (14) for level handle can break through the thinnest spot of spindle.

5. Installation of US backplate inside

Attention: Cylinder tailpiece (13) must be vertically inserted.



Inside:

• Place US backplate inside (12) over rose mounting plate (6).

Make sure that cylinder tailpiece (13) is inserted in female part of bath turn and release on US backplate inside (12).

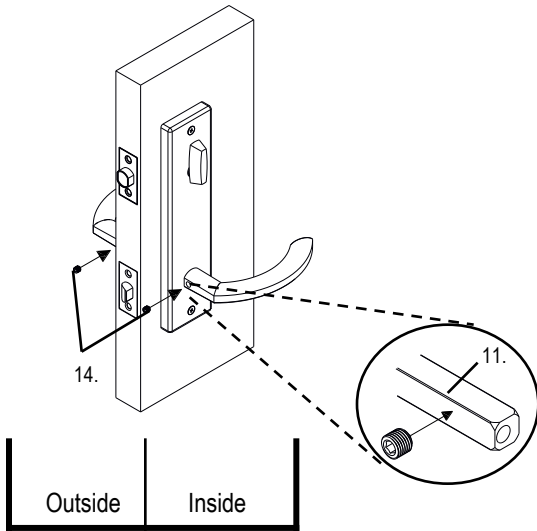
Make sure that the spindle (11) is inserted in female part of level handle on US backplate inside (12) as shown and centre it.

• Insert plate screws (18) through US backplate inside (12) into the door and tighten them.

Choose plate screws for different door thickness:

Door thickness	Use cylinder collar	Plate screws
1 3/8" (35mm)	Yes	1 3/8" (35mm)
1 3/4" (45mm)	Yes	1 3/4" (45mm)
2 1/8" (55mm)	No	1 3/4" (45mm)
2 1/2" (65mm)	No	2 3/8" (60mm)

6. Fixture of level handles



Fasten grub screws (14) into the level handles on each side.

Attention:

Make sure that grub screws (14) can break through the thinnest spot of spindle (11) in level handle.

Limited Warranty

Karcher GmbH ("Karcher") warrants to the original retail purchaser ("Purchaser"), but to no other person, that Karcher's products ("Products") shall be free from defects in material or workmanship for a period of one (1) year following the purchase of the Products from an authorized dealer. Karcher's sole obligation under this limited warranty shall be, at the option of Karcher, to repair or replace Products which Karcher determines, in its sole discretion, to be defective and which are returned to Karcher by an authorized dealer within one (1) year from the date of purchase of the Products.

Karcher does not assume any warranty responsibility for damage to the Products due to conditions over which Karcher has no control, including but not limited to ordinary wear and tear, improper installation or maintenance, alteration, impact, accident, misuse, tampering or abuse. Karcher assumes no responsibility for tarnishing, discoloration, excessive wear or deterioration of the surface finishes due to exposure to weather conditions over which Karcher has no control. Karcher assumes no responsibility for any defects or damage caused by the Purchaser or any third parties.

KARCHER MAKES NO OTHER WARRANTIES OF ANY KIND OTHER THAN THOSE CONTAINED HEREIN AND HEREBY DISCLAIMS ALL OTHER WARRANTIES, EXPRESS OR IMPLIED, WITH RESPECT TO THE PRODUCTS INCLUDING WITHOUT LIMITATION ANY WARRANTIES OF MERCHANTABILITY OR FITNESS FOR A PARTICULAR PURPOSE. THIS LIMITED WARRANTY IS IN LIEU OF ALL OTHER WARRANTIES, EXPRESS OR IMPLIED, AND IS LIMITED TO THE DURATION OF THE LIMITED WARRANTY PERIOD. IN NO EVENT SHALL KARCHER BE LIABLE FOR ANY SPECIAL, DIRECT INDIRECT, INCIDENTAL, OR CONSEQUENTIAL DAMAGES, INCLUDING, BUT NOT LIMITED TO LOSS OF PROFITS, PROPERTY DAMAGE, DAMAGES TO BUSINESS OR BUSINESS RELATIONS, OR DAMAGES FOR LOSS OF OPERATION. THIS WARRANTY REPRESENTS KARCHER'S SOLE LIABILITY TO THE PURCHASER FOR CLAIMS RELATED TO THE PRODUCTS WHETHER THE CLAIMS ARE BASED UPON CONTRACT, TORT, OR ANY OTHER LEGAL THEORY. Karcher's total cumulative liability under this limited warranty, if any, is limited to the dollar amount of the Purchaser's original payment for the Products.

The invalidity or unenforceability of any provision of this limited warranty shall not affect the validity and enforceability of any remaining provisions, and this limited warranty and disclaimer of liability shall be construed in all respects as if any invalid or unenforceable provision is omitted.

Some states do not allow limitation on how long an implied warranty lasts or the exclusion or limitation of incidental or consequential damages so the above limitations or exclusions may not apply to you, the buyer.

This warranty gives you specific legal rights and may also have other rights which vary from state to state.