

Lever version Lima UER82 by KARCHER DESIGN

Lever sets for standard duty for residential interior use and light duty for commercial interior use.

Standard Features:

- 3 piece solid fixing rose $\varnothing 2 \frac{5}{8}$ (67mm) which will allow concealed fixing
- Spring loaded levers minimize droop and provide smooth, fast return action of levers heavy duty bolt through fixing prevents lock chassis rotations
- diameter of handle: $1 \frac{3}{16}$ x $\frac{5}{8}$ +(29mm x 15mm)
- Door range: $1 \frac{1}{4}$ +(31mm) . $2 \frac{1}{4}$ +(51mm) standard
- Backset: $2 \frac{3}{8}$ - (60 mm) backset latch standard.
- Stainless steel T-strike plate with plastic dust cover
- Stainless steel latch face plate

Options:

PAS - passage latch, backset $2 \frac{3}{8}$ +(60mm) and T-strike plate

PRI . privacy latch backset $2 \frac{3}{8}$ +(60mm) and T-strike

DUM . Full Dummy

DUML . Half Dummy Left

DUMR- Half Dummy Right

Special options (to be ordered separately)

UZA2570 PAS . Passage Latch with backset $2 \frac{3}{4}$ +(70mm)

UZA3070 PRI . Privacy Latch with backset $2 \frac{3}{4}$ +(70mm)

UZA2500 LS . Full Lip strike

UZUL P67 . UL-Latch

Finish: satin stainless steel (finish code 71)

Karcher article no.:

ER82 PAS 71 . with passage latch, backset $2 \frac{3}{8}$ +(60mm) and T-strike plate

ER82 PRI 71 . with privacy latch, backset $2 \frac{3}{8}$ +(60mm) and T-strike plate

ER82 DUM 71 . full dummy

ER82 DUML 71 . half dummy left

ER82 DUMR 71 . half dummy right

ER82B PAS 71 . Braille with passage latch, backset $2 \frac{3}{8}$ +(60mm) and T-strike plate

ER82B PRI 71 . Braille with privacy latch, backset $2 \frac{3}{8}$ +(60mm) and T-strike plate

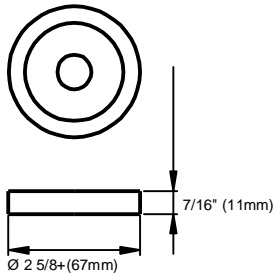
ER82B DUM 71 . Braille full dummy

ER82B DUML 71 . Braille half dummy left

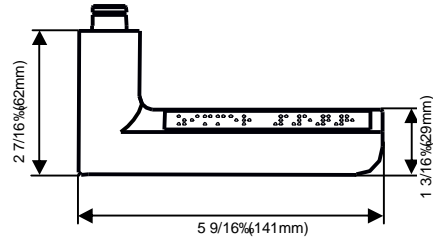
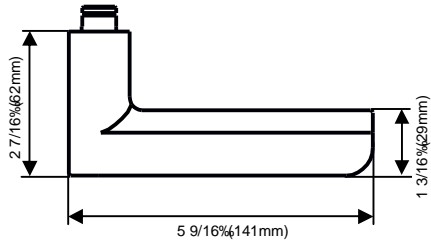
ER82B DUMR 71 . Braille half dummy right

Dimensional detail:

Rose

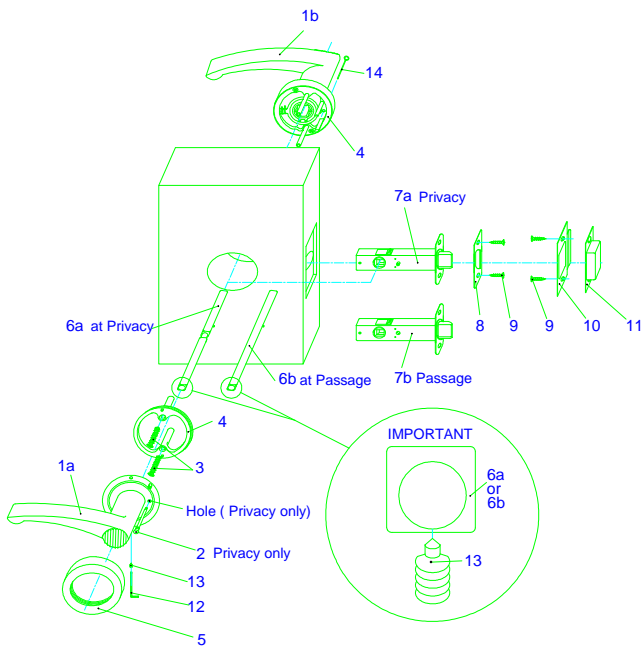


Handle



Installation Instructions for KARCHER Lever Sets

Models Privacy and Passage

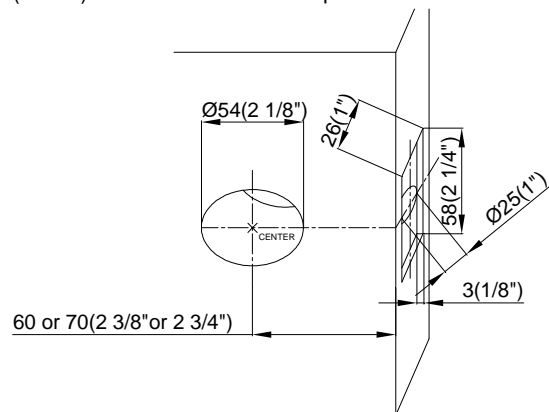
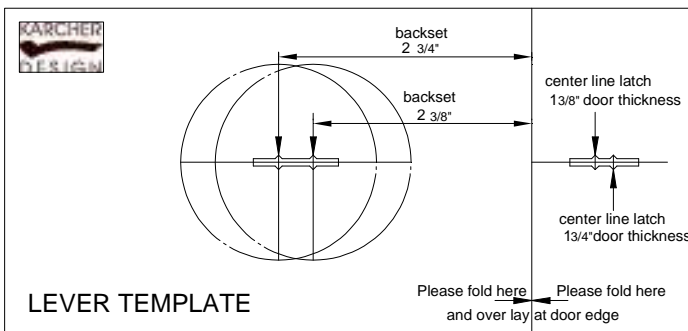


Contents List:

1a+1b	Lever Handles with attached roses	(2pc.)
2	Privacy push pin (Privacy only)	(1pc.)
3	Machine screws (Metric M4)	(2pc.)
4	Rose base plates	(2pc.)
5	Screw overrings	(2pc.)
6a	Split spindle (Privacy only)	(1pc.)
6b	Standard spindle (Passage only)	(1pc.)
7a	Latch with privacy function (Privacy only)	(1pc.)
7b	Latch (Passage only)	(1pc.)
8	Latch face plate	(1pc.)
9	Wood screws	(4pc.)
10	Strike plate	(1pc.)
11	Dust cover	(1pc.)
12	Allen key	(1pc.)
13	Grub screws	(4pc.)
14	Pin for emergency release	(1pc.)

1 MARK DOOR AND DRILL HOLES

- Draw a level 3" (76mm) centerline on both sides of the door. The standard height for a handle set is 36" (914mm) from finished floor.
- Fold template over edge of door, mark site 2 3/8" (60mm) or 2 3/4" (70mm) to determine the centerpoint of holes.



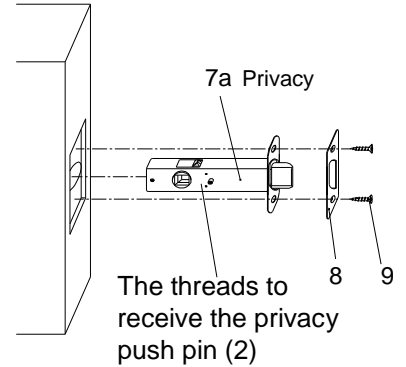
- Please pay attention to the different door thickness and thus different center line.
- Drill a 2 1/8" (54mm) hole half way through the door on each side to prevent splintering of door. Where the door is marked for the center of the latch, drill a 1" (26mm) hole.
- Cut out a 2 9/32" x 1" x 1/8" (58x26x3mm) base.
- Latch doesn't take the bevel of the door into account.
- **Bore from the lower end of the bevel to allow for this.**

Installation Instructions for KARCHER Lever Sets

Models Privacy and Passage

2.1 INSTALL LATCH FOR PRIVACY

- Install latch (7a) and face plate (8) using wood screws provided (9).
- Make sure the threads to receive the privacy push pin (2) on the latch are facing the side you want to lock.
- The throw of the latch can be rotated 180 degrees to accommodate the desired swing of the door.



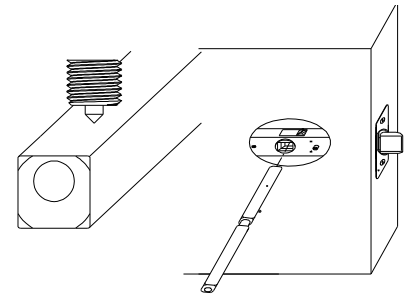
2.2 INSTALL LATCH FOR PASSAGE

- Install latch (7b) and face plate (8) using wood screws provided (9).
- The throw of the latch can be rotated 180 degrees to accommodate the desired swing of the door.

3 INSERT THE SPINDLE (6a or 6b)

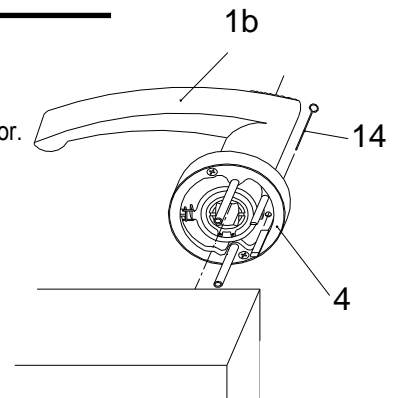
Important:

- Insert the spindle (6a or 6b) through the latch in the way that the point of the grub screw (13) can break through the thinnest side.
- The split spindle for privacy sets (6a) is to be inserted until engaged.
- For passage sets the standard spindle (6b) is to be inserted in the center of the latch.

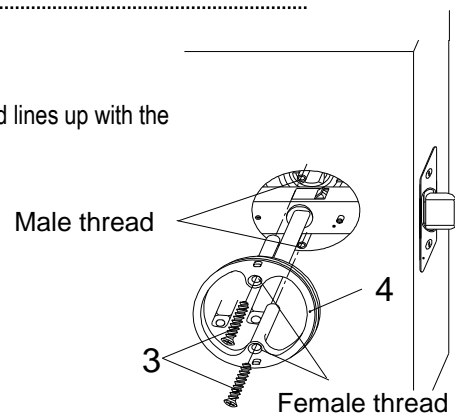


4 INSTALL LEVER SETS FOR PRIVACY / PASSAGE

- Push one side of the handle set over the spindle (6a or 6b) until the rose is flush with the door.



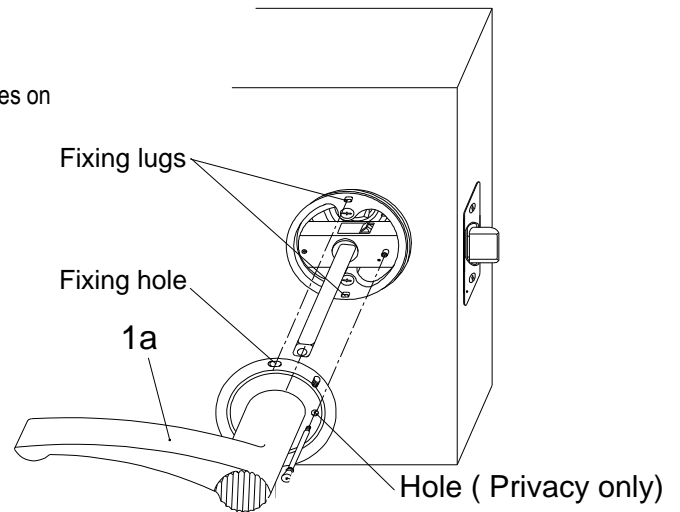
- On the other side insert the rose base plate (4) so that the female thread lines up with the male thread, and fasten with 1 1/4" (31.75mm) machine screws (3).



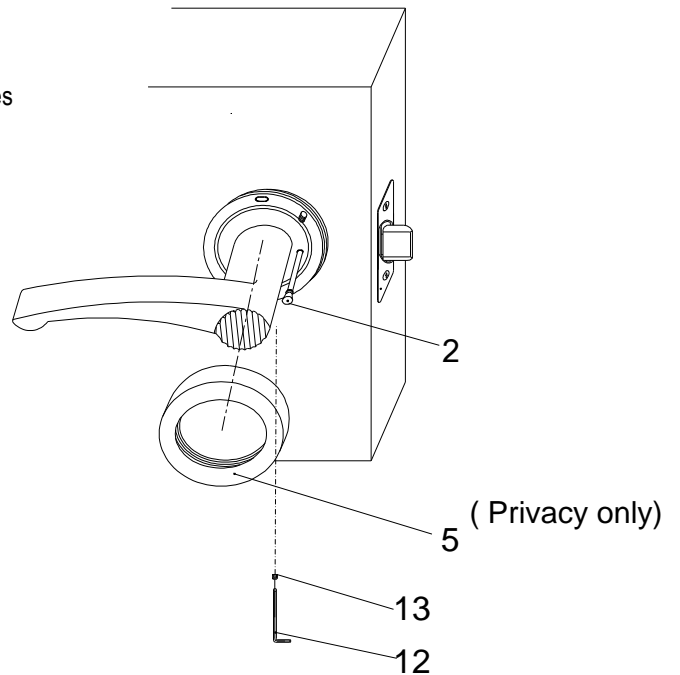
Installation Instructions for KARCHER Lever Sets

Models Privacy and Passage

- Push the other side of the handle set over the spindle.
- Align the fixing lugs of the rose base plate (4) with the fixing holes on the rose.



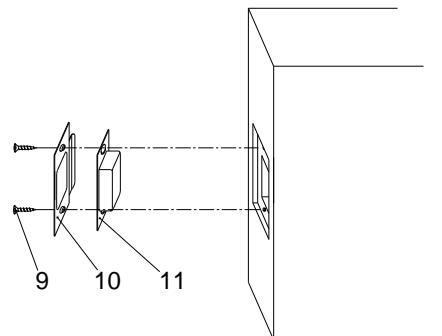
- Place screw overring (5) over the handle and tighten by hand.
- Install grub screws (13) with supplied allen key (12) on both sides of handle until penetrated through spindle wall.
- Only for Privacy: Screw in the privacy push pin (2)



5

INSTALL STRIKE

- Mark the position of the latch throw at the door frame for the strike plate location.
- Using the strike plate (10) as a template outline the position in pencil.
- Prior to installing the strike plate chisel a 1 1/2" (38.1mm) high, 7/8" (22.225mm) wide and 5/8" (15.875mm) deep hole into the door frame for the plastic dust cover (11). Chisel door frame to fit strike plate (10) flush approximately 1/8" (3.175mm) in depth..
- Install dust cover (11) and strike plate (10) using supplied wood screws (9)



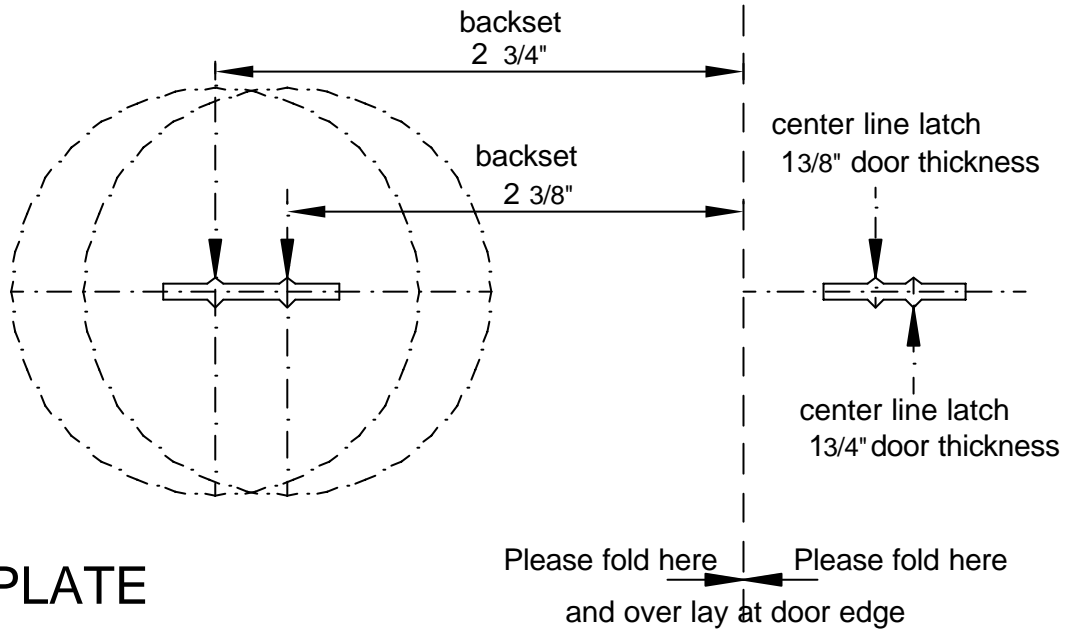
Installation Instructions for KARCHER Lever Sets

Models Privacy and Passage

LIMITED WARRANTY

KARCHER GMBH ("KARCHER") WARRANTS TO THE ORIGINAL RETAIL PURCHASER ("PURCHASER"), BUT TO NO OTHER PERSON, THAT KARCHER'S PRODUCTS ("PRODUCTS") SHALL BE FREE FROM DEFECTS IN MATERIAL OR WORKMANSHIP FOR A PERIOD OF ONE (1) YEAR FOLLOWING THE PURCHASE OF THE PRODUCTS FROM AN AUTHORIZED DEALER. KARCHER ' S SOLE OBLIGATION UNDER THIS LIMITED WARRANTY SHALL BE, AT THE POTION OF KARCHER, TO REPAIR OR REPLACE PRODUCTS WHICH KARCHER DETERMINES, IN IST SOLE DISCRETION, TO BE DEFECTIVE AND WHICH ARE RETURNED TO KARCHER BY AN AUTHORIZED DEALER WITHIN ONE (1) YEAR FROM THE DATE OF PURCHASE OF THE PRODUCTS.

Please refer to this Product's packaging for a full description of Karcher's limited warranty policies.



LEVER TEMPLATE