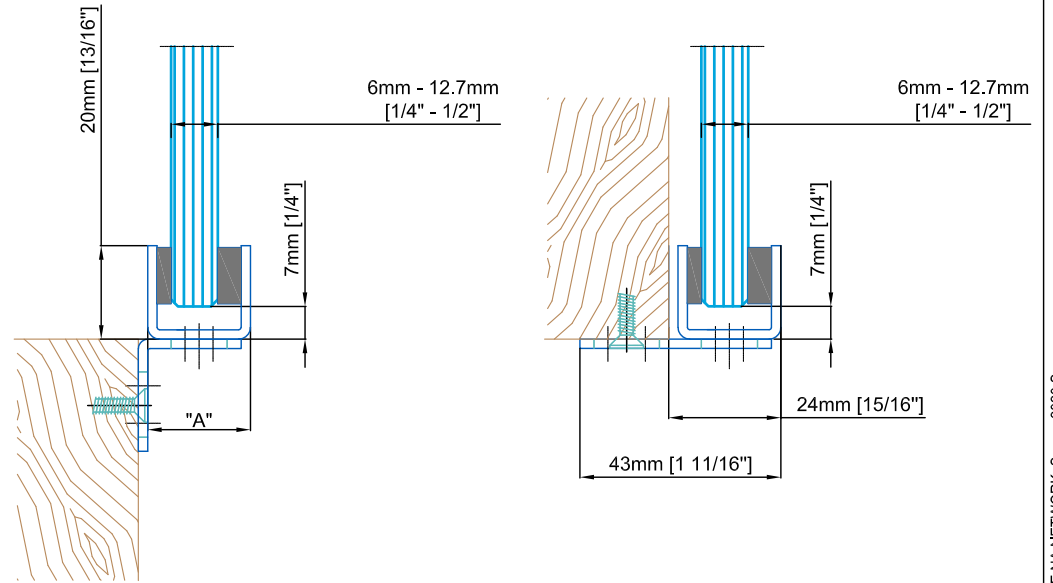
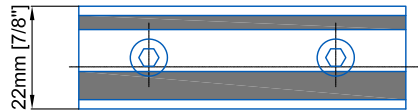
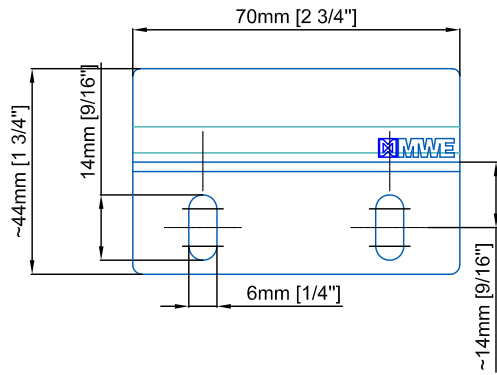




Buy Online At
www.StainlessDoorHardware.com

DOOR HARDWARE

Technical drawings are subject to change without notice.
 All millimeter dimensions are exact and supersede inch conversions.
 Copyright MWE NA Inc., all rights reserved. Reproduction or other use
 of these designs without written consent from MWE NA Inc. is prohibited.



	Glas glass			
	6mm [1/4"]	8mm [5/16"]	10mm [3/8"]	12.7mm [1/2"]
Mas dimension A	22mm [7/8"]	24mm [15/16"]	26mm [1"]	28mm [1 1/8"]



NORTH AMERICA

Tel.: 954-982-6595

Email: sales@mwe-na.com

www.mwe-na.com