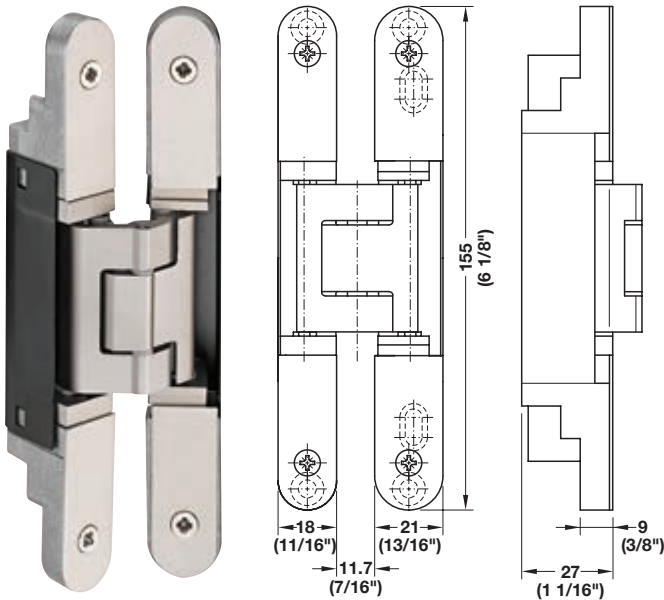


TECTUS

- > Used in door frames made out of hollow metal or wood in flush interior doors
- > Maintenance-free slide bearings
- > Suitable for left and right hand applications

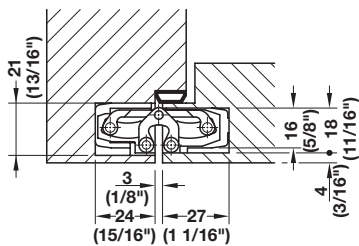
→ TE 240 3D



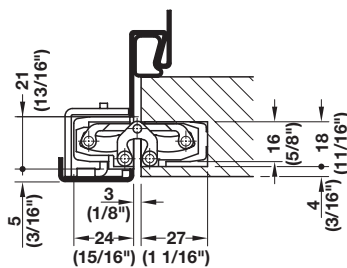
- > Door weight: max. 60 kg (132 lbs.)
- > Door thickness: min. 25 mm (1")
- > Opening angle: max. 180°
- > Router bit Ø: 16 mm (5/8")
- > Router guide Ø: 30 mm (1 3/16")
- > Adjustment: three-dimensionally adjustable:
 Height and width: ± 3 mm (1/8")
 Depth: ± 1.5 mm (1/16")
- > Material: Aluminum die-cast

Finish	SW	Item No.
stainless steel look	126	924.18.904
bronze metallic	168	924.18.917
bronze finish light	175	924.18.920
satin chrome look	124	924.18.921
satin nickel look	125	924.18.922
bronze finish dark	176	924.18.925
polished nickel	038	924.18.970
polished brass	030	924.18.980
satin brass	047	924.18.990
traffic white (RAL9016)	070	924.18.901
bronze finish	174	924.18.910
rustic umber	156	924.18.916
matt deep black (RAL9005)	107	924.18.937
satin chrome	146	924.18.942
satin nickel	144	924.18.971

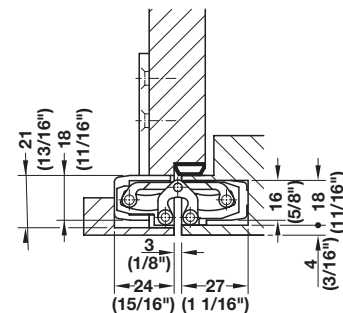
Mounting



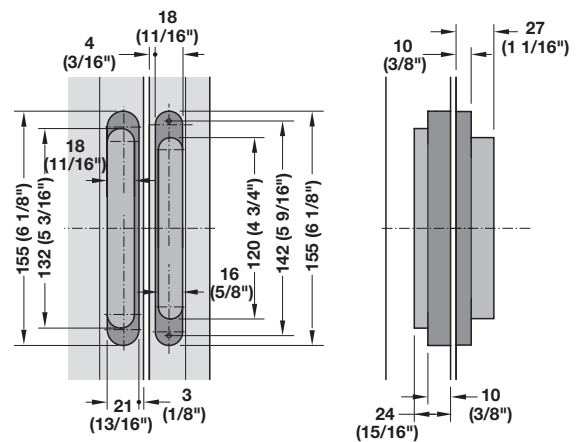
Mounted to a wood door frame



Mounted to a hollow metal frame with a receiver element



Mounted to a wood door jamb together with a mounting plate



Milling template for a wood door frame

Mounting plates	page 4.25
Receiving elements	page 4.26

Dimensional data not binding. Dimensions in mm, inches are approximate. We reserve the right to alter specifications without notice.