

TECTUS - TE 340 3D

TE 340 3D

For residential and commercial doors



STAINLESS

DOOR HARDWARE

www.StainlessDoorHardware.com

Product features

- Completely concealed hinge system
- Maintenance-free slide bearings
- For wood, steel or aluminum door panels and frames
- Finger protection due to a small gap between door and frame
- For flush residential and commercial doors
- Easily adjustable in three dimensions (side +/- 3.0 mm (0.118"), height +/- 3.0 mm (0.118"), compression +/- 1.0 mm (0.039"))
- UL listed for 20 minute fire door

Technical data

Property	Value
Load capacity	80.0 kg (176.0 lbs.)
Overall length	160.0 mm (6.299")
Width (door part)	28.0 mm (1.102")
Width (frame part)	28.0 mm (1.102")
Cutter diameter	24.0 mm
Collar ring diameter	30.0 mm
Opening angle	180°

Quality marks



Certification CE



Certification IFT



Certification UL

warringtonfire

Certification Warringtonfire



Certification UL (Canada)

Classification key

3 7 4 1¹ 1 -² 0 11

¹ Test evidence for functional doors to be achieved with full door sets and assemblies.

² depending on the finish

TECTUS - TE 340 3D

Notes

The load capacity mentioned above refers to the use of 2 hinges per door leaf with a height/width ratio of 2:1.

For a minimum door panel thickness of 38 mm (1-1/2").

For fire rated doors: Check with door manufacturer regarding the usage of additional required intumescent material.

Square-corner cover plates are available upon request.

Alternatively, the routing can be carried out with a cutter diameter of 3/4" and a collar ring diameter of 1" for imperial templates.

Installation tools

Universal milling frame

Drilling jig TECTUS TE 340 3D

Template 5 250693 5 24 mm router bit / 30 mm collar ring (step 1)

Template 5 250694 5 24 mm router bit / 30 mm collar ring (step 2)

Template 5 251058 5 3/4" router bit / 1" collar ring (step 1)

Template 5 251059 5 3/4" router bit / 1" collar ring (step 2)

Combinations

TE 340 3D FZ
TE 340 3D SZ
TE 340 3D ST

Function range



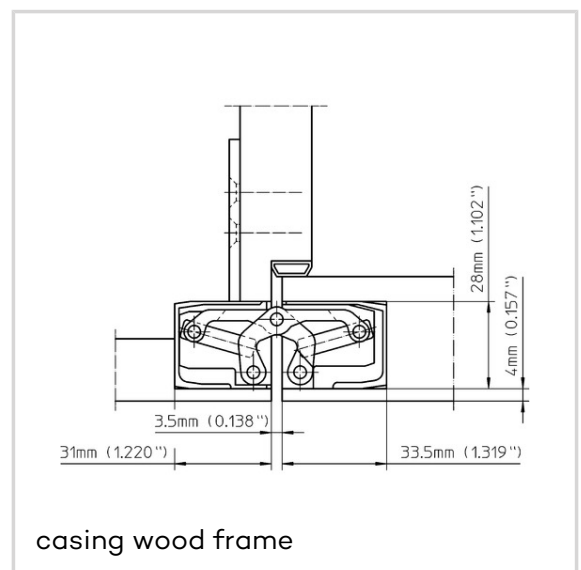
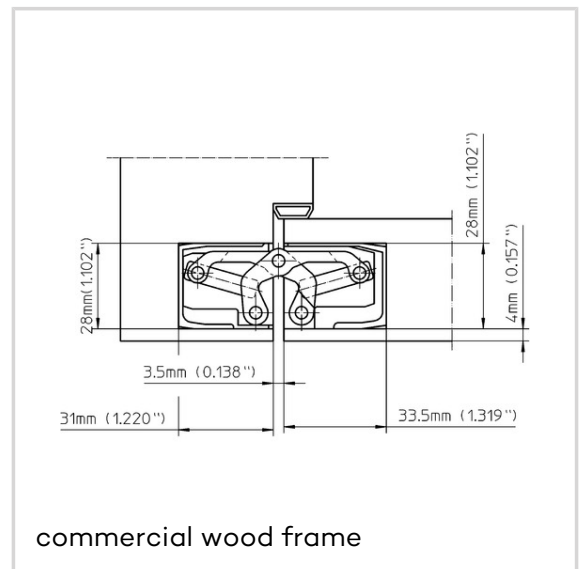
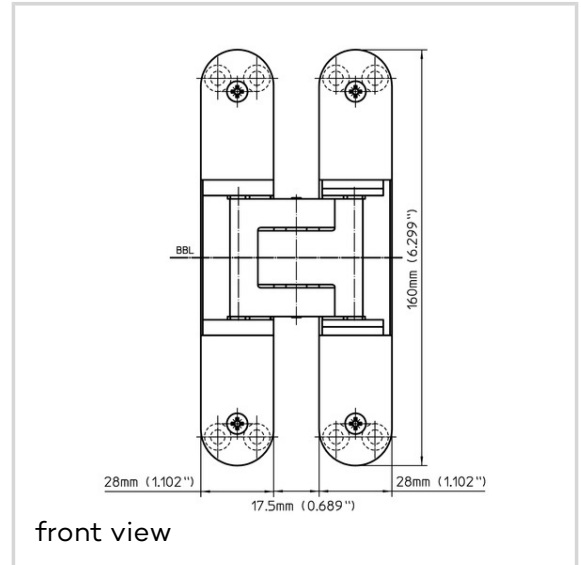
Forced Entry Resistant



Fire Resistant



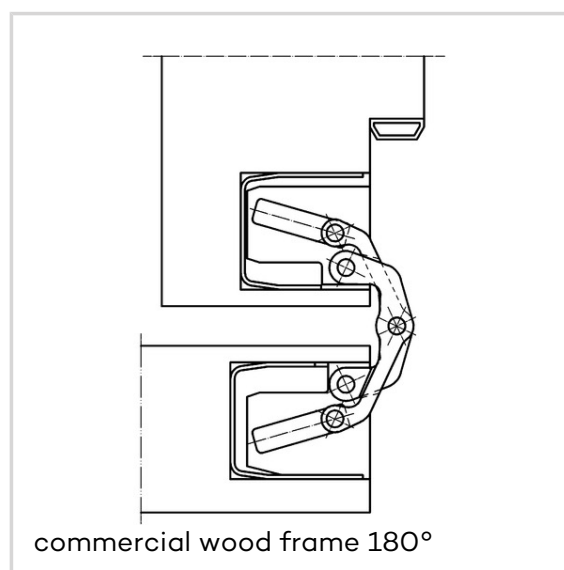
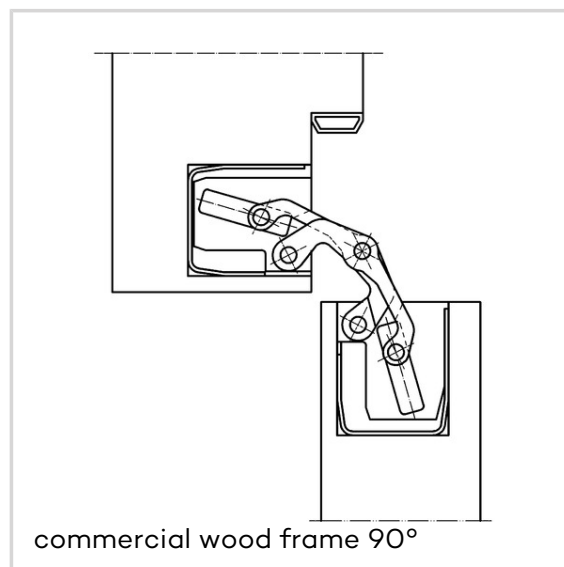
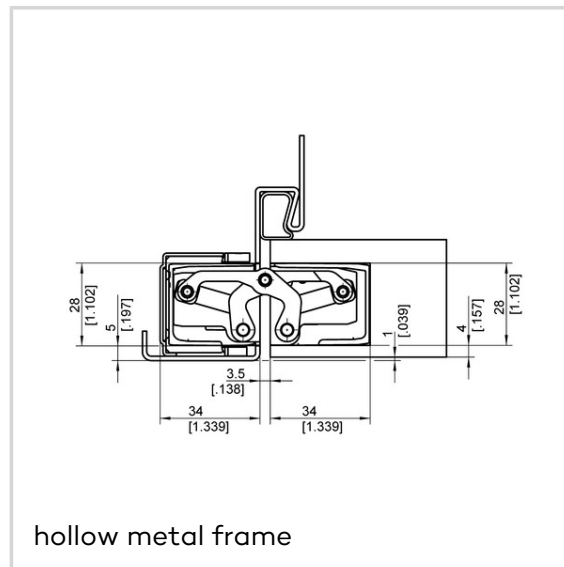
Smoke Resistant



TECTUS - TE 340 3D

Item versions

Finish	polished brassed (SW 030)
VPE	pack of 2
DIN	non-handed
Article number	5 400605 0 03002
EAN	4015471106553
Finish	polished nickelled (SW 038)
VPE	pack of 2
DIN	non-handed
Article number	5 400605 0 03802
EAN	4015471106577
Finish	satin brassed (SW 047)
VPE	pack of 2
DIN	non-handed
Article number	5 400605 0 04702
EAN	4015471127183
Finish	RAL 9016 Traffic White (SW 070)
VPE	pack of 2
DIN	non-handed
Article number	5 400605 0 07002
EAN	4015471106584
Finish	RAL 9005 Matte Black (SW 107)
VPE	pack of 2
DIN	non-handed
Article number	5 400605 0 10702
EAN	4015471106607
Finish	Satin Chrome Look (F1) (SW 124)
VPE	pack of 2
DIN	non-handed
Article number	5 400605 0 12402
EAN	4015471106614
Finish	Satin Nickel Look (F2)



TECTUS - TE 340 3D

VPE	(SW 125)
DIN	pack of 2
Article number	non-handed
EAN	5 400605 0 12502
	4015471106638
Finish	Stainless Steel Look (SSL) (SW 126)
VPE	pack of 2
DIN	non-handed
Article number	5 400605 0 12602
EAN	4015471106652
Finish	Satin Nickel (SW 144)
VPE	pack of 2
DIN	non-handed
Article number	5 400605 0 14402
EAN	4015471106669
Finish	Satin Chrome (SW 146)
VPE	pack of 2
DIN	non-handed
Article number	5 400605 0 14602
EAN	4015471109592
Finish	Rustic Umber (SW 156)
VPE	pack of 2
DIN	non-handed
Article number	5 400605 0 15602
EAN	4015471106676
Finish	Bronze Metallic (SW 168)
VPE	pack of 2
DIN	non-handed
Article number	5 400605 0 16802
EAN	4015471106683
Finish	Bronze Finish (SW 174)
VPE	pack of 2
DIN	non-handed
Article number	5 400605 0 17402
EAN	4015471114190

TECTUS - TE 340 3D

Finish	Bronze Finish light (SW 175)
VPE	pack of 2
DIN	non-handed
Article number	5 400605 0 17502
EAN	4015471114206

Finish	Bronze Finish dark (SW 176)
VPE	pack of 2
DIN	non-handed
Article number	5 400605 0 17602
EAN	4015471114213