

TECTUS - TE 540 3D

TE 540 3D

For Heavy Duty Doors

**STAINLESS**

DOOR HARDWARE

www.StainlessDoorHardware.com

Product features

- Completely concealed hinge system
- Maintenance-free slide bearings
- For wood, steel or aluminum door panels and frames
- Finger protection due to a small gap between door and frame
- Easily adjustable in three dimensions (side +/- 3.0 mm (0.118"), height +/- 3.0 mm (0.118"), compression +/- 1.0 mm (0.039"))
- For flush commercial doors
- UL listed for 20 minute fire door

Technical data

Property	Value
Load capacity	120.0 kg (264.0 lbs.)
Overall length	200.0 mm (7.874")
Width (door part)	32.0 mm (1.260")
Width (frame part)	32.0 mm (1.260")
Cutter diameter	24.0 mm
Collar ring diameter	30.0 mm
Opening angle	180°

Quality marks



Certification CE



Certification IFT



Certification UL

warringtonfire

Certification Warringtonfire



Certification UL (Canada)

Classification key

4 7 6 1¹ 1 -² 1 13

¹ Test evidence for functional doors to be achieved with full door sets and assemblies.

² depending on the finish

TECTUS - TE 540 3D

Notes

The load capacity mentioned above refers to the use of 2 hinges per door leaf with a height/width ratio of 2:1.

For fire rated doors: Check with door manufacturer regarding the usage of additional required intumescent material.

Square-corner cover plates are available upon request.

For a minimum door panel thickness of 40 mm (1-5/8").

The load capacity shall be reduced by 20% when installed in combination with a door closer.

Alternatively, the routing can be carried out with a cutter diameter of 3/4" and a collar ring diameter of 1" for imperial templates.

Installation tools

Universal milling frame	
Template 5 250680 5	24 mm router bit / 30 mm collar ring (step 1)
Template 5 250681 5	24 mm router bit / 30 mm collar ring (step 2)
Template 5 251060 5	3/4" router bit / 1" collar ring (step 1)
Template 5 251061 5	3/4" router bit / 1" collar ring (step 2)

Combinations

TE 540 3D FZ
 TE 540 3D SZ
 TE 540 3D ST

Function range



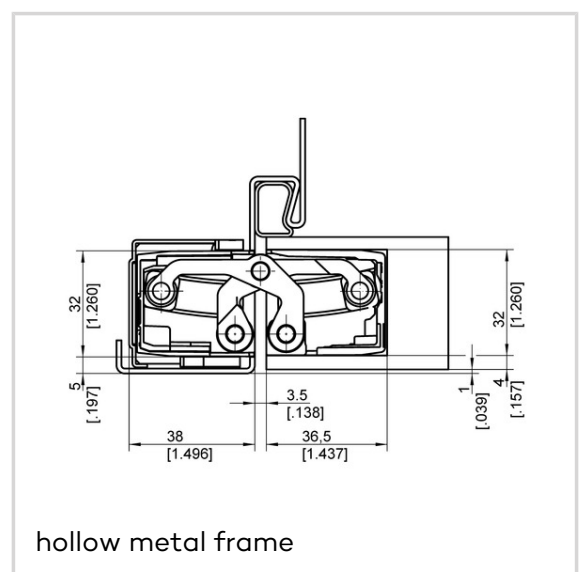
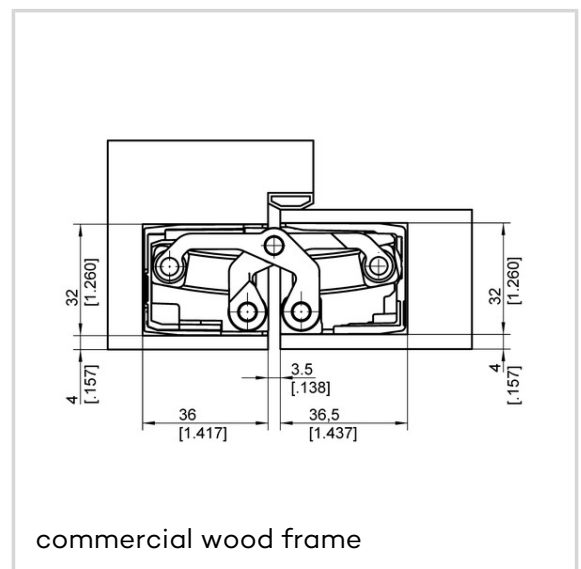
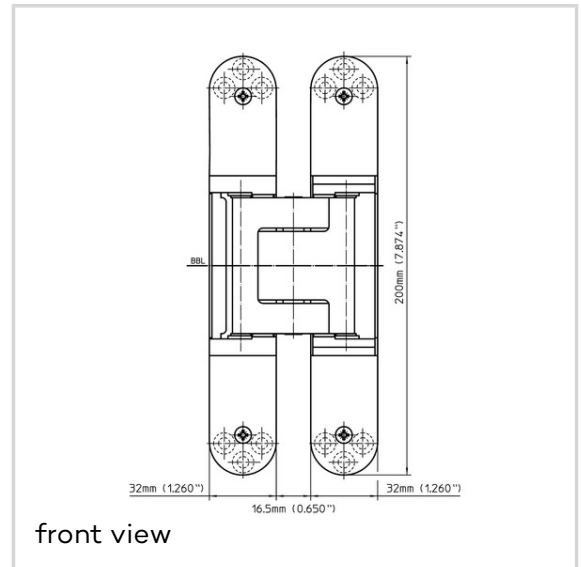
Forced Entry Resistant



Fire Resistant



Smoke Resistant



TECTUS - TE 540 3D



Soundproof

Item versions

Finish	polished brassed (SW 030)
VPE	pack of 2
DIN	non-handed
Article number	5 400687 0 03002
EAN	4015471126162

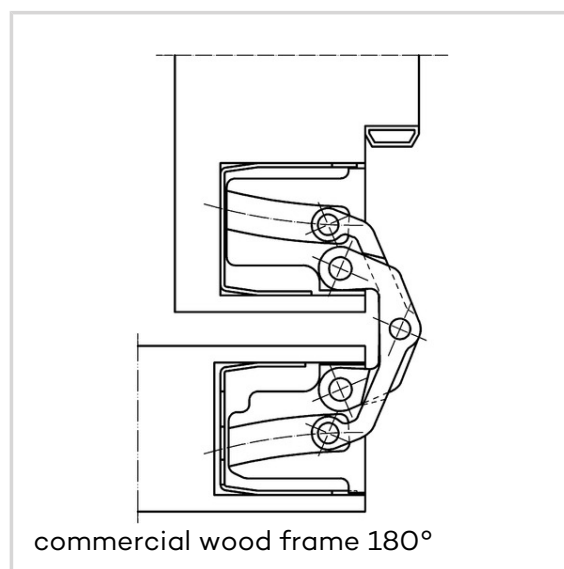
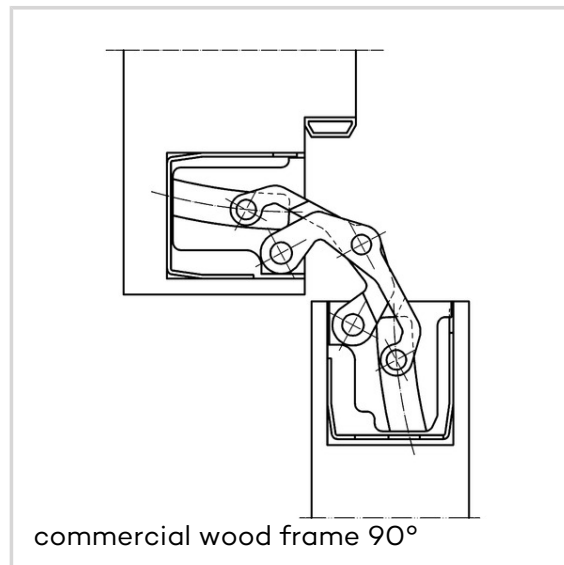
Finish	polished nickelled (SW 038)
VPE	pack of 2
DIN	non-handed
Article number	5 400687 0 03802
EAN	4015471126179

Finish	satin brassed (SW 047)
VPE	pack of 2
DIN	non-handed
Article number	5 400687 0 04702
EAN	4015471131814

Finish	RAL 9016 Traffic White (SW 070)
VPE	pack of 2
DIN	non-handed
Article number	5 400687 0 07002
EAN	4015471126131

Finish	RAL 9005 Matte Black (SW 107)
VPE	pack of 2
DIN	non-handed
Article number	5 400687 0 10702
EAN	4015471126094

Finish	Satin Chrome Look (F1) (SW 124)
VPE	pack of 2



TECTUS - TE 540 3D

DIN	non-handed
Article number	5 400687 0 12402
EAN	4015471125554
Finish	Satin Nickel Look (F2) (SW 125)
VPE	pack of 2
DIN	non-handed
Article number	5 400687 0 12502
EAN	4015471126070
Finish	Stainless Steel Look (SSL) (SW 126)
VPE	pack of 2
DIN	non-handed
Article number	5 400687 0 12602
EAN	4015471126209
Finish	Satin Nickel (SW 144)
VPE	pack of 2
DIN	non-handed
Article number	5 400687 0 14402
EAN	4015471126254
Finish	Satin Chrome (SW 146)
VPE	pack of 2
DIN	non-handed
Article number	5 400687 0 14602
EAN	4015471126261
Finish	Rustic Umber (SW 156)
VPE	pack of 2
DIN	non-handed
Article number	5 400687 0 15602
EAN	4015471126148
Finish	Bronze Metallic (SW 168)
VPE	pack of 2
DIN	non-handed
Article number	5 400687 0 16802
EAN	4015471126155
Finish	Bronze Finish (SW 174)
VPE	pack of 2

TECTUS - TE 540 3D

DIN	non-handed
Article number	5 400687 0 17402
EAN	4015471126223
Finish	Bronze Finish light (SW 175)
VPE	pack of 2
DIN	non-handed
Article number	5 400687 0 17502
EAN	4015471126230
Finish	Bronze Finish dark (SW 176)
VPE	pack of 2
DIN	non-handed
Article number	5 400687 0 17602
EAN	4015471126247