

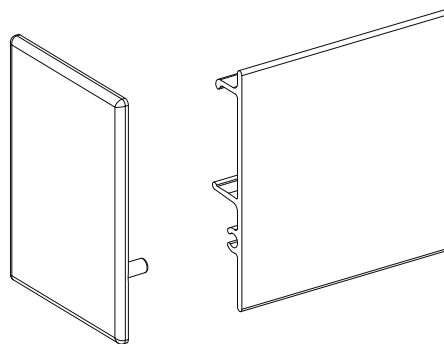
# INSTALLATION INSTRUCTION - Smart Track

## SLIDING DOOR HARDWARE VALANCE FOR WOOD DOORS

article number 0160210-02, 0160210-05, 0160211-02, 0160211-05, 0160212-02, 0160212-05

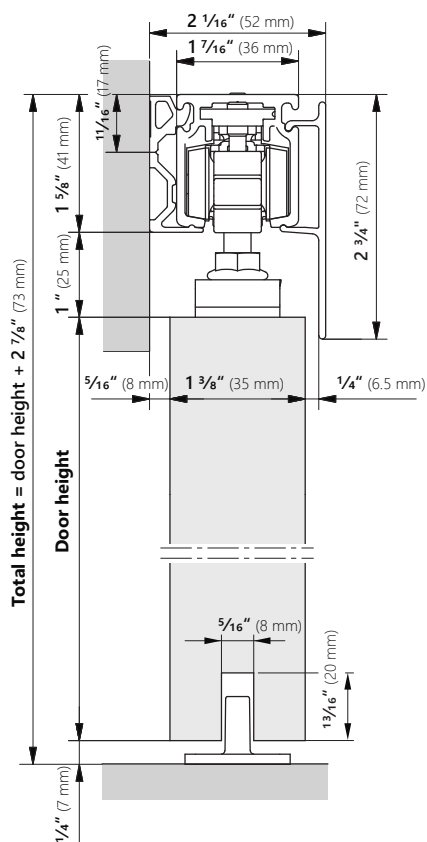


Valance and end caps  
for sliding track hardware  
with standard wood mounts

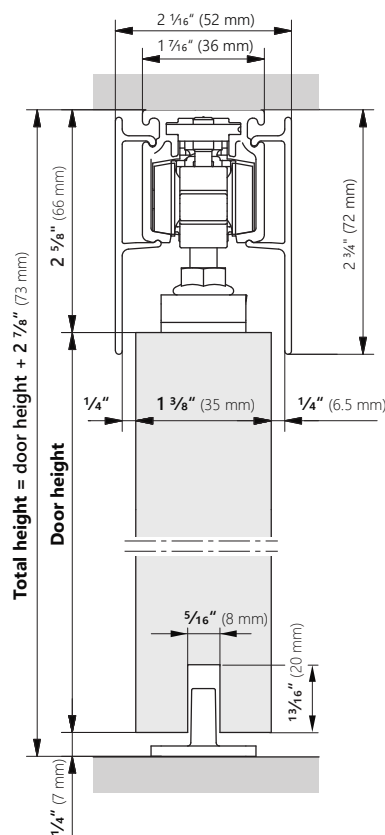


**i**

### Wall mounting



### Top mounting

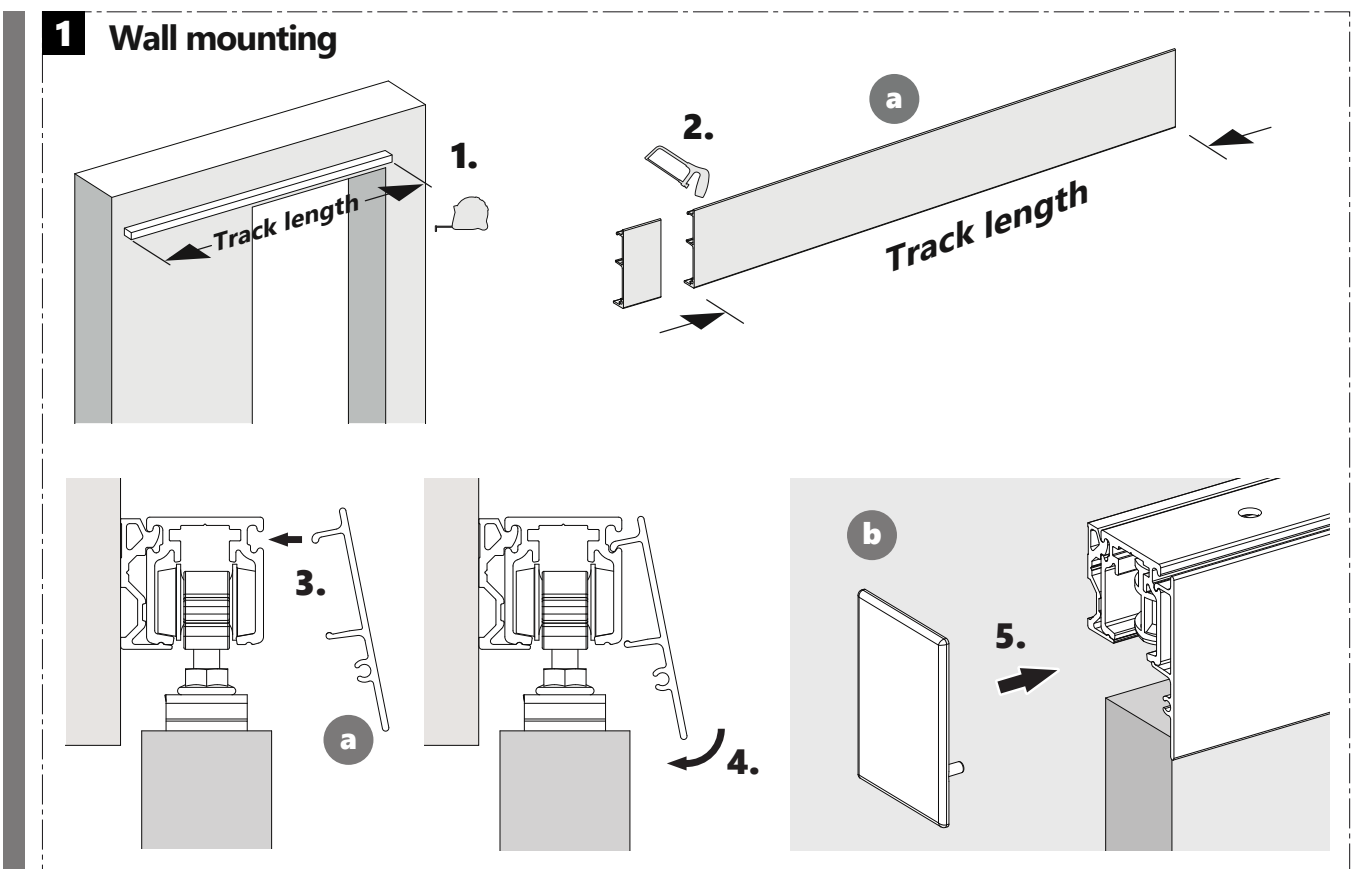
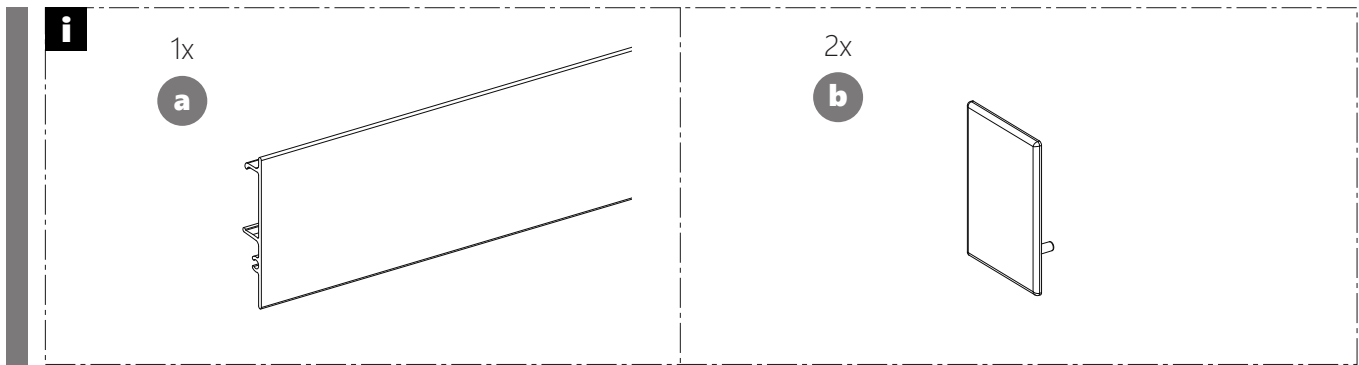


# INSTALLATION INSTRUCTION - Smart Track

## SLIDING DOOR HARDWARE VALANCE FOR WOOD DOORS

article number 0160210-02, 0160210-05, 0160211-02, 0160211-05, 0160212-02, 0160212-05

  
**STAINLESS**  
DOOR HARDWARE

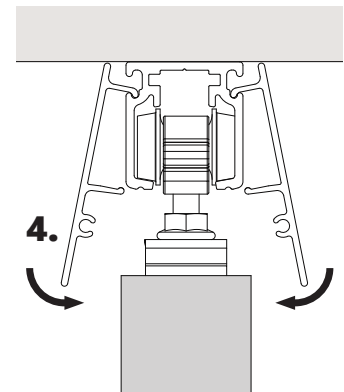
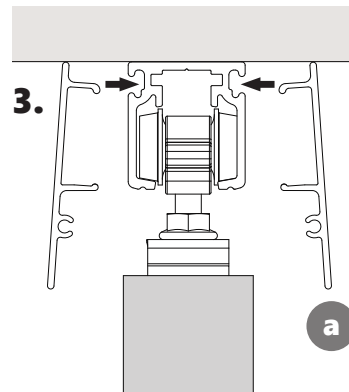
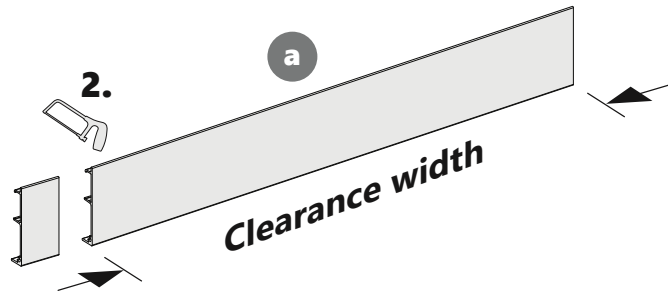
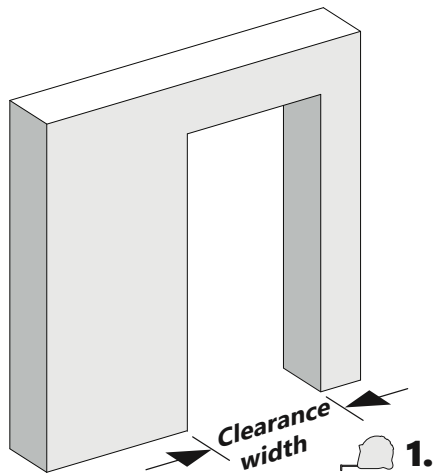


# INSTALLATION INSTRUCTION - Smart Track

## SLIDING DOOR HARDWARE VALANCE FOR WOOD DOORS

article number 0160210-02, 0160210-05, 0160211-02, 0160211-05, 0160212-02, 0160212-05

### 1 Top mounting



# INSTALLATION INSTRUCTION - Smart Track

## SLIDING DOOR HARDWARE VALANCE FOR WOOD DOORS

article number 0160210-02, 0160210-05, 0160211-02, 0160211-05, 0160212-02, 0160212-05

