

INSTALLATION INSTRUCTION

POCKET DOOR FRAMING AND SLIDING HARDWARE SET

FOR WOOD DOORS UP TO 176 LB

(AND OPTIONAL GLASS DOOR MOUNTING HARDWARE) article number 0080801, 0080802, 0080804



STAINLESS

DOOR HARDWARE

www.StainlessDoorHardware.com



CONTENT

Page index

Preparation P.3
Scope of delivery..... P.4
Dimensions P.6
Installation..... P.12
Jamb kit installation P.20
Wood door leaf installation P.23
Glass door leaf installation P.27
Door stop position setting..... P.31

Product description

The Hannover sliding hardware is an installation element for sliding doors in 2x4 stud framing.

Suitable for wood or glass doors up to 176 lb (80 kg) door panel weight with door dimensions from 40" x 96" (1016 mm x 2438 mm) to max. 48" x 96" (1220 mm x 2438 mm).

Safety notes

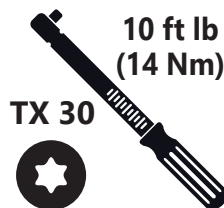
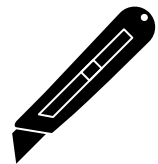
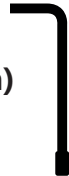
Before assembly, please read the installation instructions carefully. In case of difficulties in understanding, contact the customer service or your supplier. In order to assemble the purchased product properly, please use the tools indicated on the following page. Since some parts may have sharp edges, also be sure to protect your hands and work surfaces

from cuts or scratches. During assembly, always ensure that you work ergonomically and only assemble alone if you can rule out any risk to your health or other persons. All components were checked for integrity before delivery. No liability is accepted for damage caused by improper assembly or transport.

Required tools

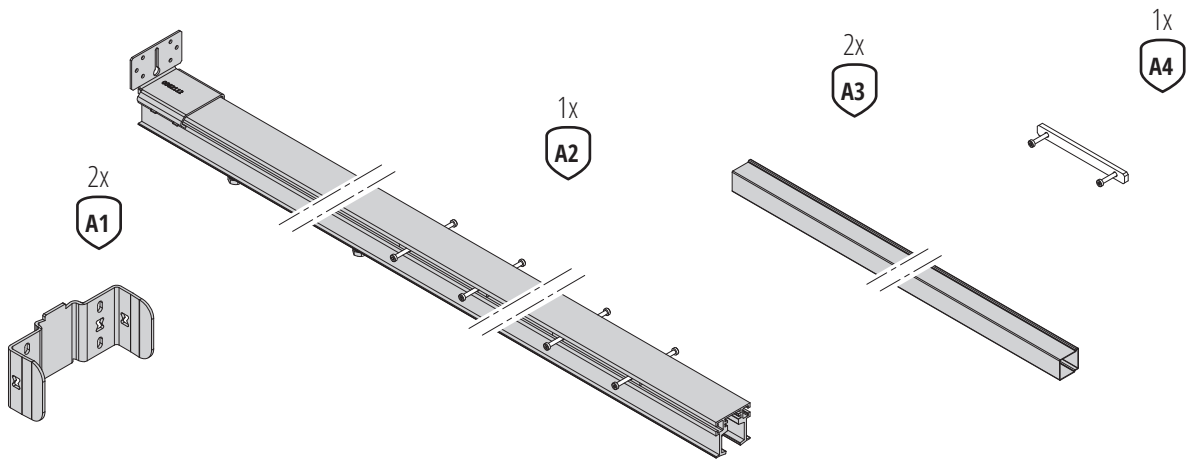


1/8"
(3 mm)

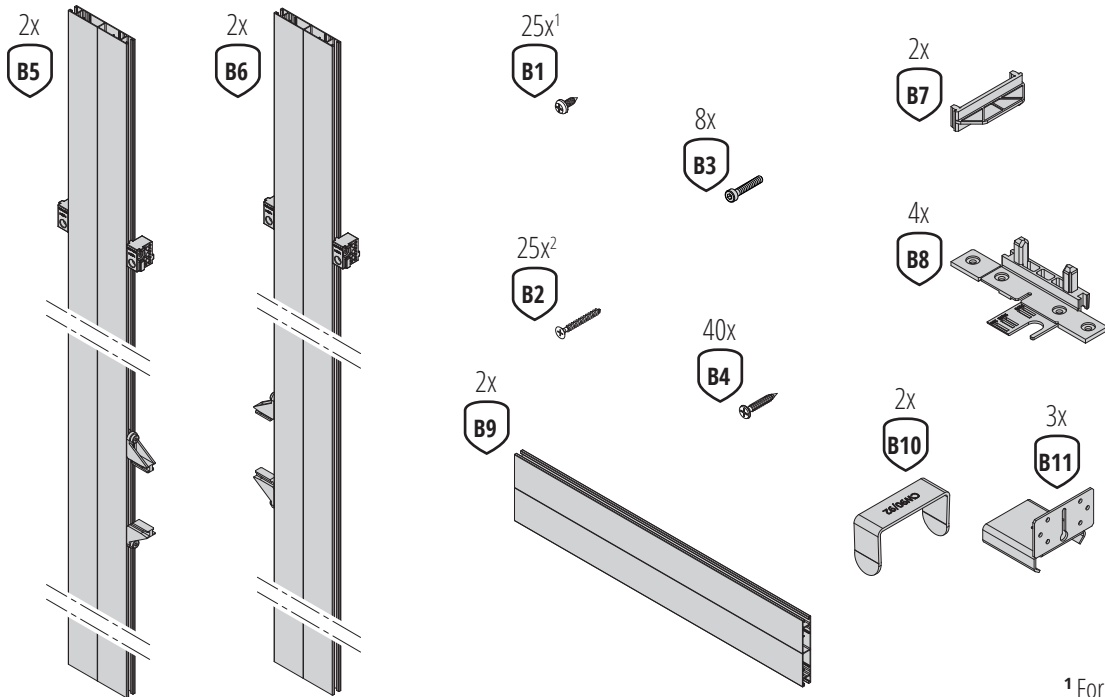


SCOPE OF DELIVERY

Track incl. wheel set and hold-in-place stoppers



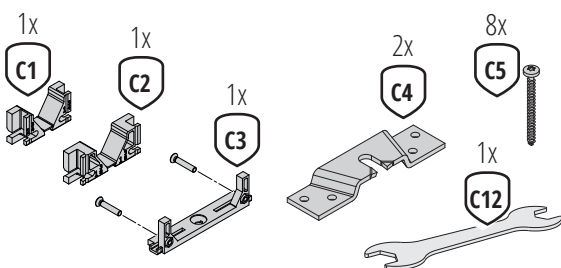
Framing kit



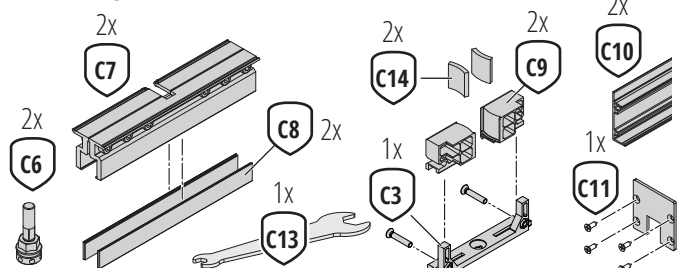
¹ For metal studs
² For 2x4 wood studs

Door installation set

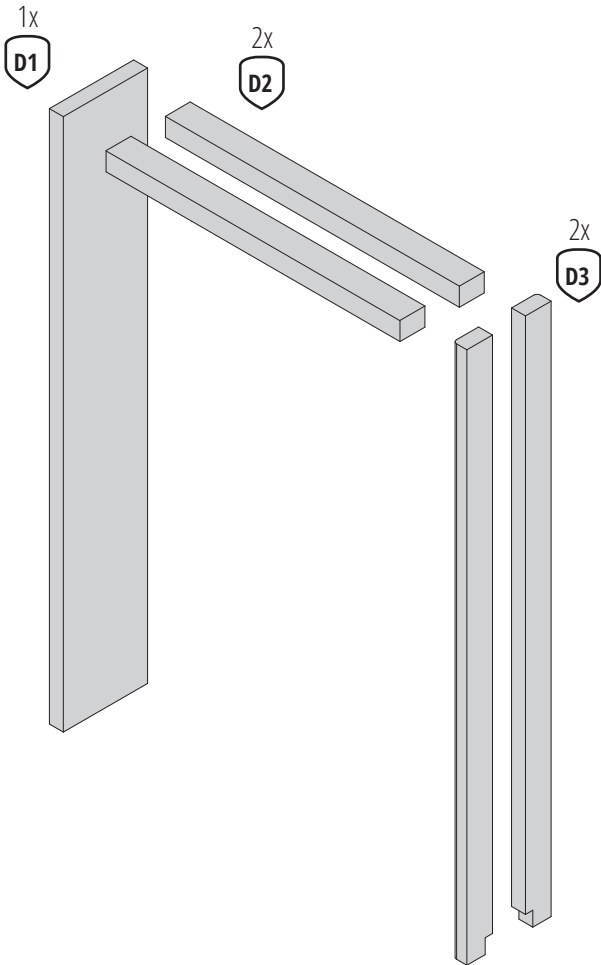
Wood



Glass (optional)



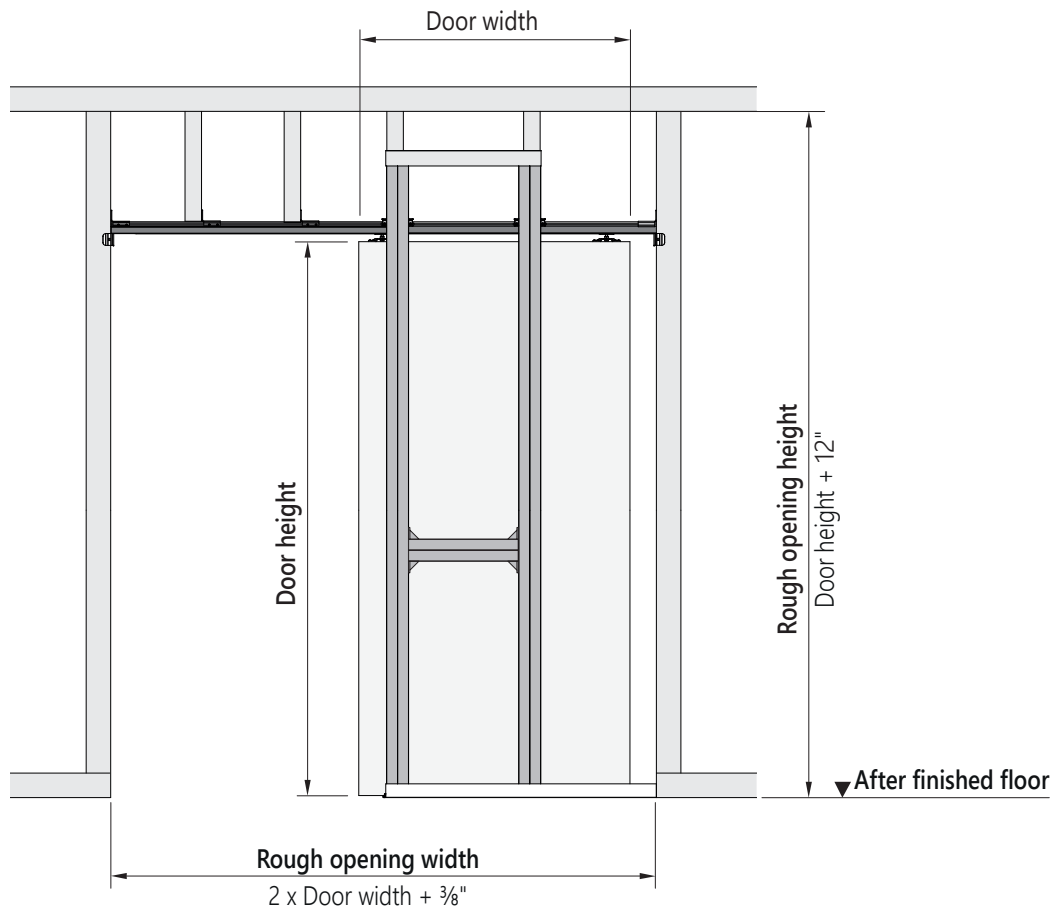
Jamb kit (optional)



DIMENSIONS

Rough opening

One side

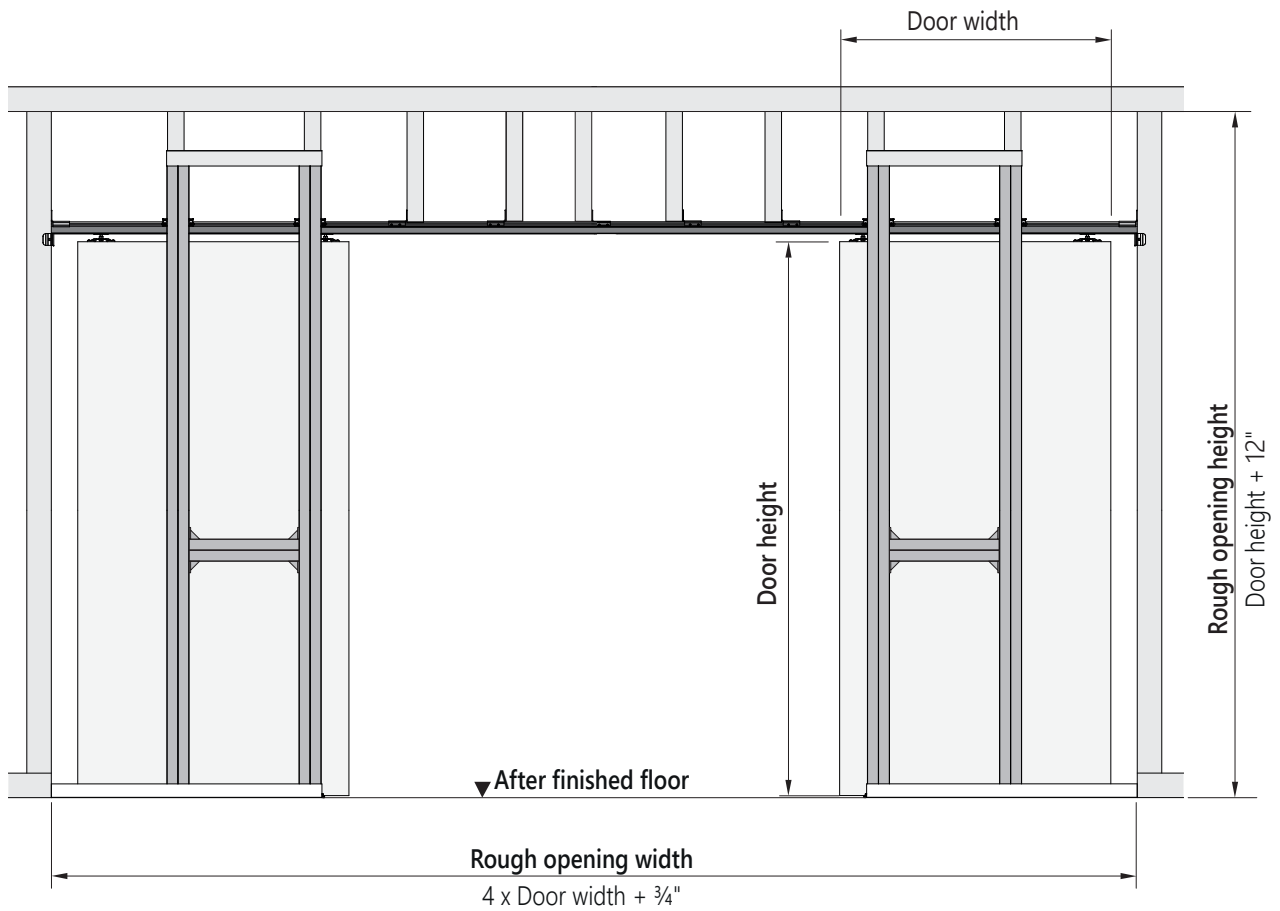


Door width	Door height							
	80"		82"		84"		96"	
	RO width	RO height	RO width	RO height	RO width	RO height	RO width	RO height
24"	48 3/8"	92"*	48 3/8"	94"*	48 3/8"	96"*	48 3/8"	108"
26"	52 3/8"	92"*	52 3/8"	94"*	52 3/8"	96"*	52 3/8"	108"
28"	56 3/8"	92"*	56 3/8"	94"*	56 3/8"	96"*	56 3/8"	108"
30"	60 3/8"	92"*	60 3/8"	94"*	60 3/8"	96"*	60 3/8"	108"
32"	64 3/8"	92"*	64 3/8"	94"*	64 3/8"	96"*	64 3/8"	108"
34"	68 3/8"	92"*	68 3/8"	94"*	68 3/8"	96"*	68 3/8"	108"
36"	72 3/8"	92"*	72 3/8"	94"*	72 3/8"	96"*	72 3/8"	108"
38"	76 3/8"	92"*	76 3/8"	94"*	76 3/8"	96"*	76 3/8"	108"
40"	80 3/8"	92"*	80 3/8"	94"*	80 3/8"	96"*	80 3/8"	108"
42"	84 3/8"	92"*	84 3/8"	94"*	84 3/8"	96"*	84 3/8"	108"
44"	88 3/8"	92"*	88 3/8"	94"*	88 3/8"	96"*	88 3/8"	108"
46"	92 3/8"	92"*	92 3/8"	94"*	92 3/8"	96"*	92 3/8"	108"
48"	96 3/8"	92"*	96 3/8"	94"*	96 3/8"	96"*	96 3/8"	108"

* Minimum required rough opening height. If you have enough headroom, you can install the PocketSet Pro without cutting the vertical pocket profiles. This requires a rough opening height of 108" or more.

Rough opening

Double side



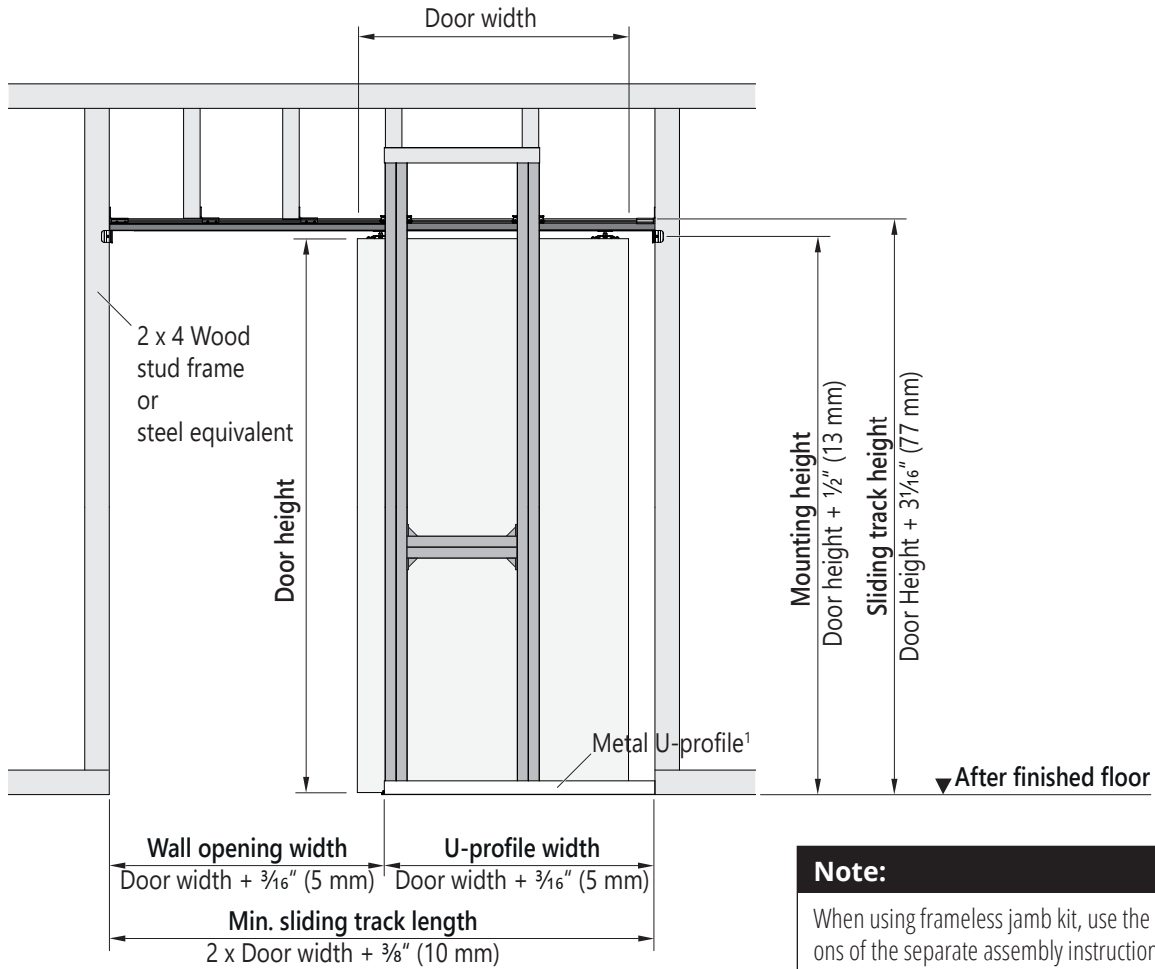
Door width	Door height							
	80"		82"		84"		96"	
	RO width	RO height	RO width	RO height	RO width	RO height	RO width	RO height
24"	96 3/4"	92"*	96 3/4"	94"*	96 3/4"	96"*	96 3/4"	108"
26"	104 3/4"	92"*	104 3/4"	94"*	104 3/4"	96"*	104 3/4"	108"
28"	112 3/4"	92"*	112 3/4"	94"*	112 3/4"	96"*	112 3/4"	108"
30"	120 3/4"	92"*	120 3/4"	94"*	120 3/4"	96"*	120 3/4"	108"
32"	128 3/4"	92"*	128 3/4"	94"*	128 3/4"	96"*	128 3/4"	108"
34"	136 3/4"	92"*	136 3/4"	94"*	136 3/4"	96"*	136 3/4"	108"
36"	144 3/4"	92"*	144 3/4"	94"*	144 3/4"	96"*	144 3/4"	108"
38"	152 3/4"	92"*	152 3/4"	94"*	152 3/4"	96"*	152 3/4"	108"
40"	160 3/4"	92"*	160 3/4"	94"*	160 3/4"	96"*	160 3/4"	108"
42"	168 3/4"	92"*	168 3/4"	94"*	168 3/4"	96"*	168 3/4"	108"
44"	176 3/4"	92"*	176 3/4"	94"*	176 3/4"	96"*	176 3/4"	108"
46"	184 3/4"	92"*	184 3/4"	94"*	184 3/4"	96"*	184 3/4"	108"
48"	192 3/4"	92"*	192 3/4"	94"*	192 3/4"	96"*	192 3/4"	108"

* Minimum required rough opening height. If you have enough headroom, you can install the PocketSet Pro without cutting the vertical pocket profiles. This requires a rough opening height of 108" or more.

DIMENSIONS

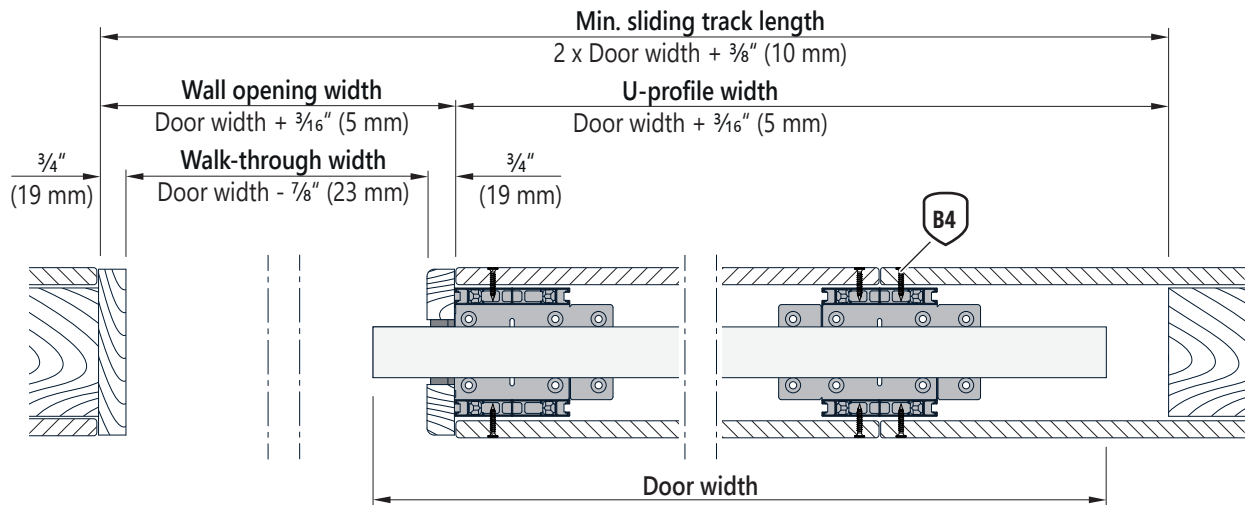
Front view

Wood door leaf with jamb kit



Top view

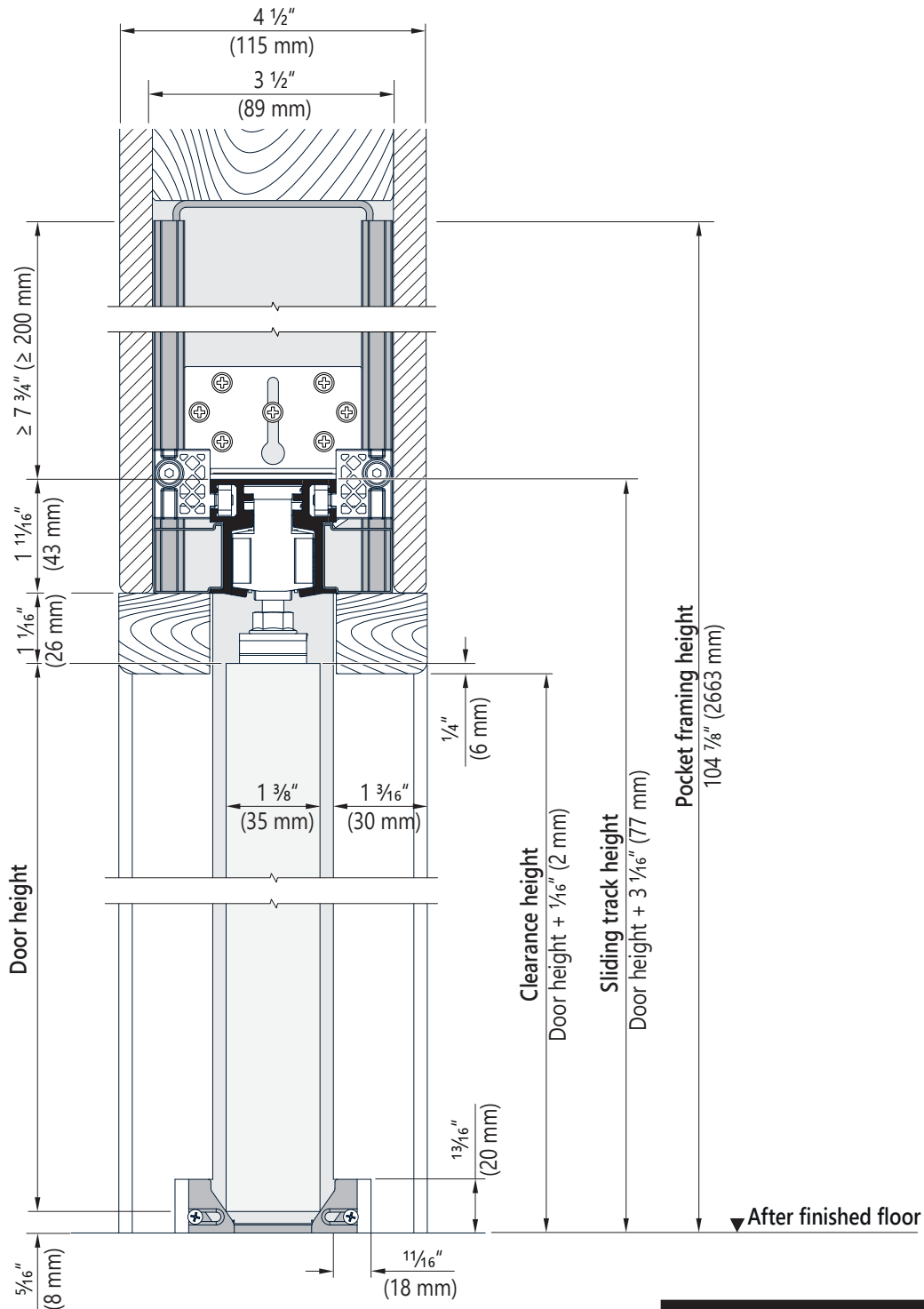
Wood door leaf with jamb kit



¹U-profile is not included. Use U-shaped metal stud with correct dimensions. The profile is recommended but not needed **NOT INCLUDED**.

Side view

Wood door leaf with jamb kit

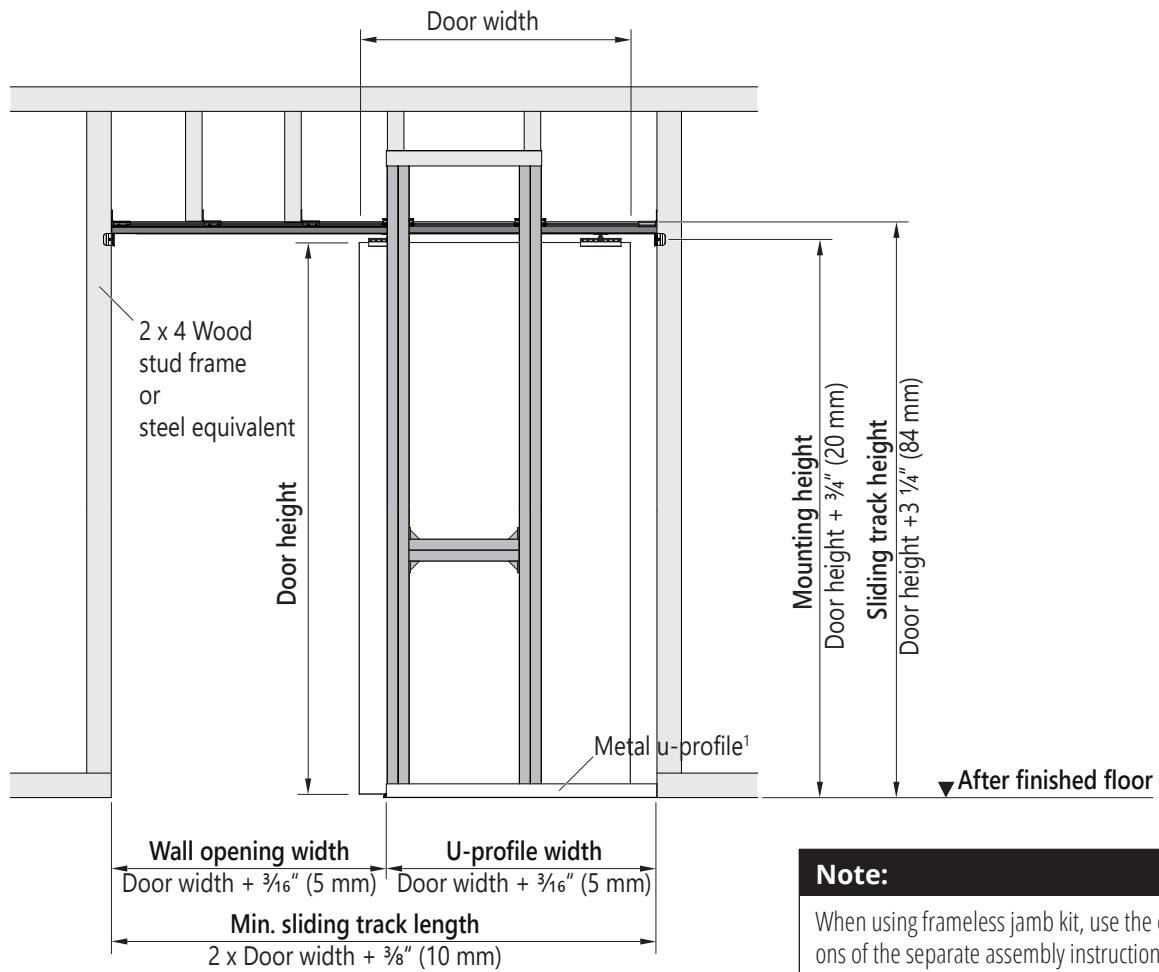


Note:
When using frameless jamb kit, use the dimensions of the separate assembly instruction!

DIMENSIONS

Front view

Glass door leaf with jamb kit

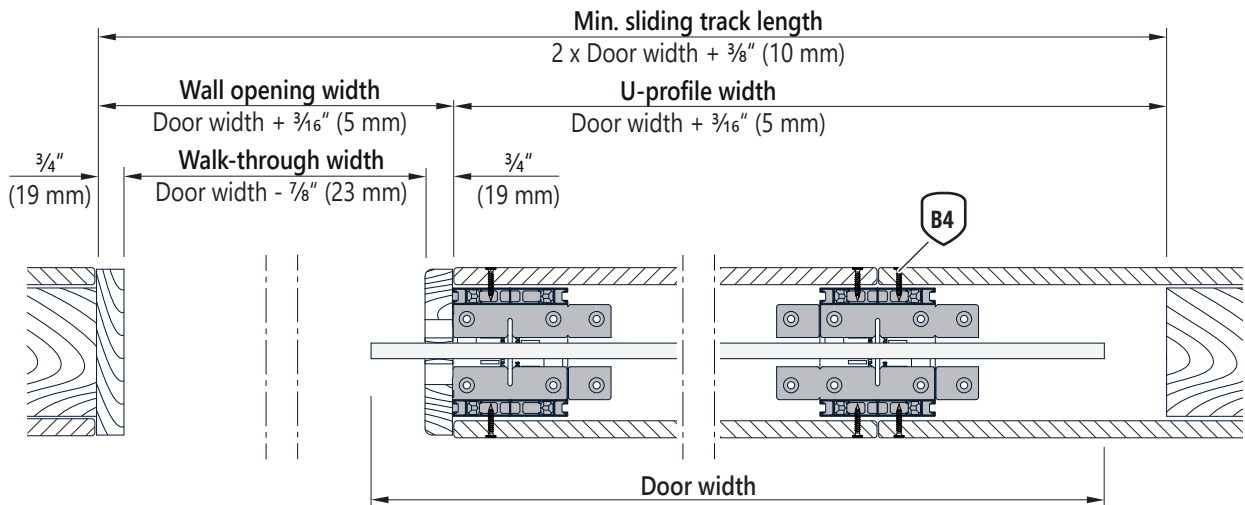


Note:

When using frameless jamb kit, use the dimensions of the separate assembly instruction!

Top view

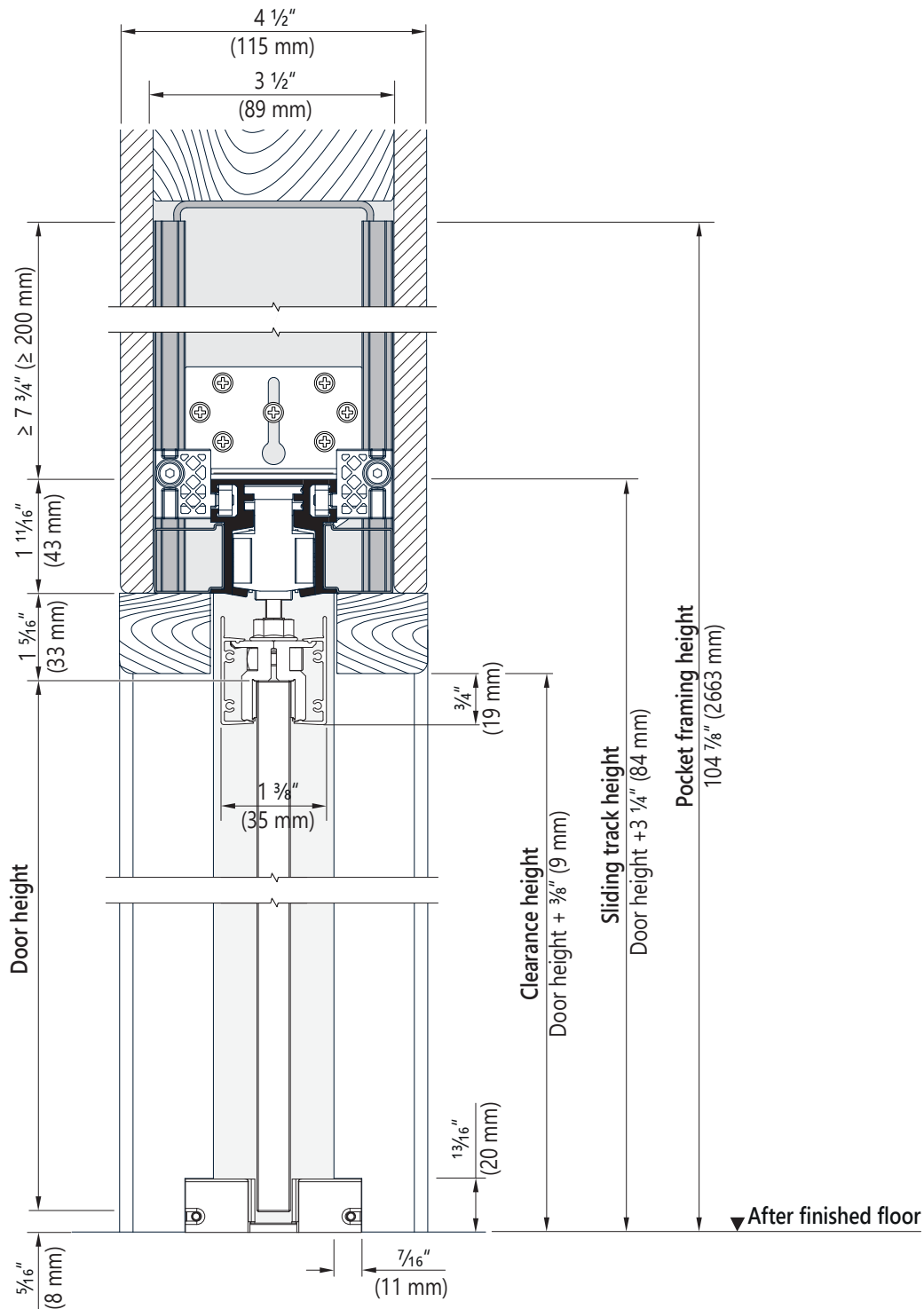
Glass door leaf with jamb kit



¹ U-profile is not included. Use U-shaped metal stud with correct dimensions. The profile is recommended but not needed **NOT INCLUDED**.

Side view

Glass door leaf with jamb kit



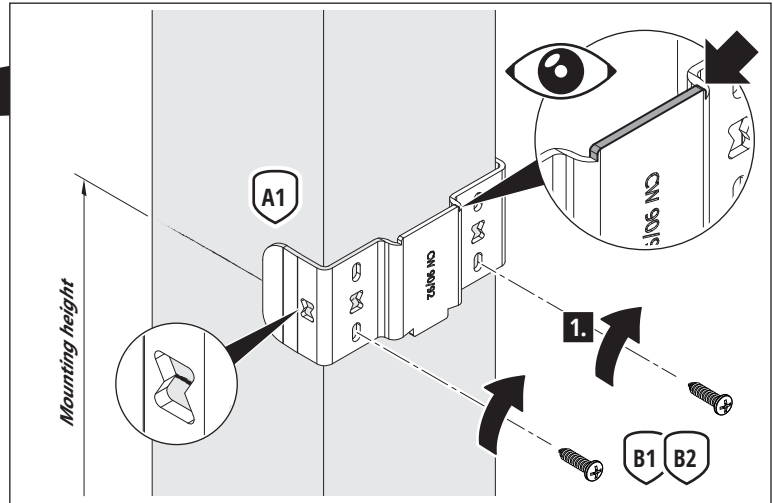
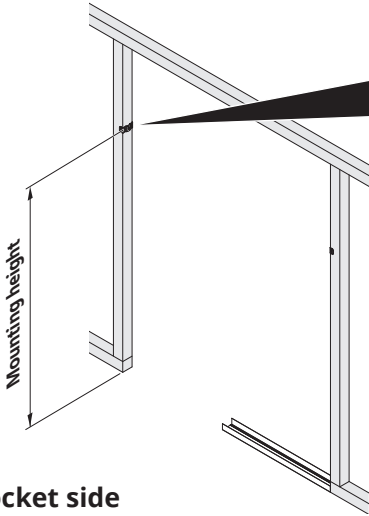
Note:

When using frameless jamb kit, use the dimensions of the separate assembly instruction!

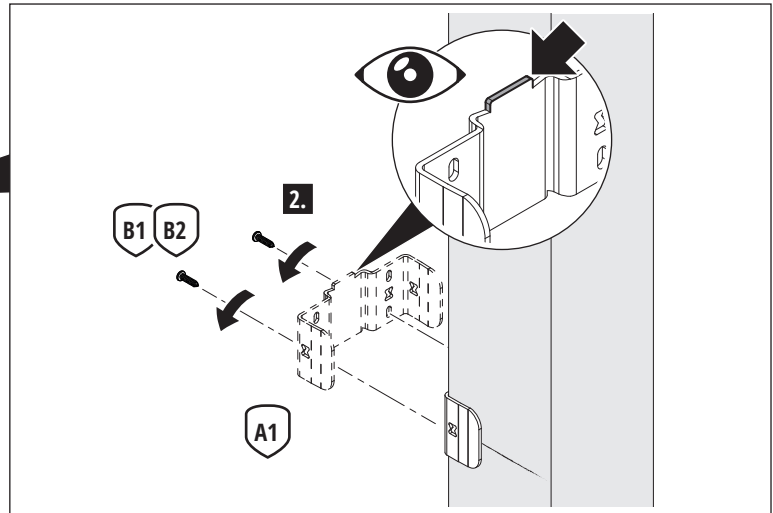
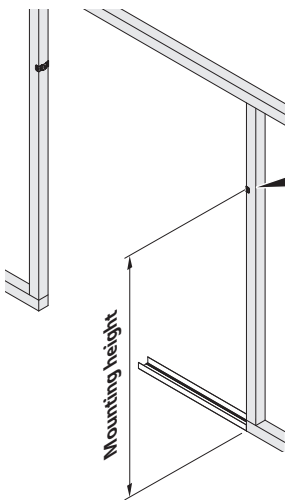
INSTALLATION

1.

Door stop side



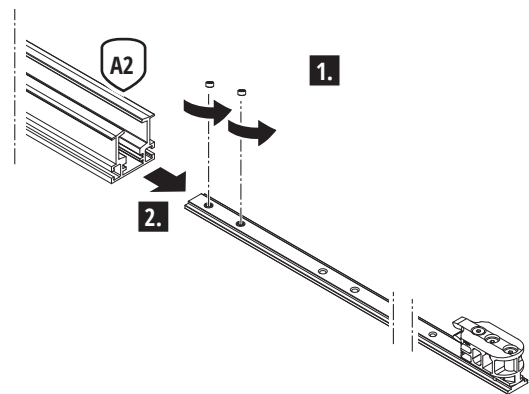
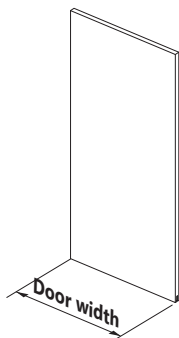
Pocket side



Note:

Find the dimensions of the mounting height on page 6 for wood doors and page 8 for glass doors.

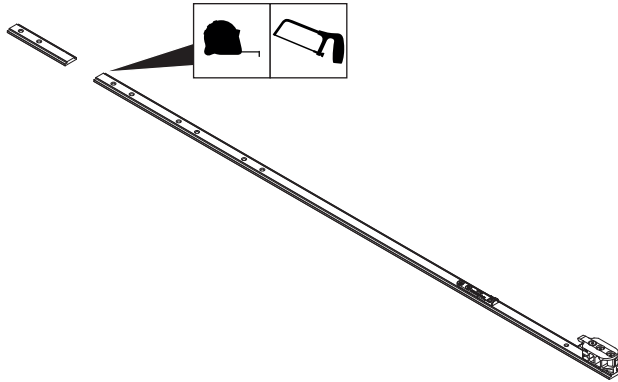
2.



3.

Note:

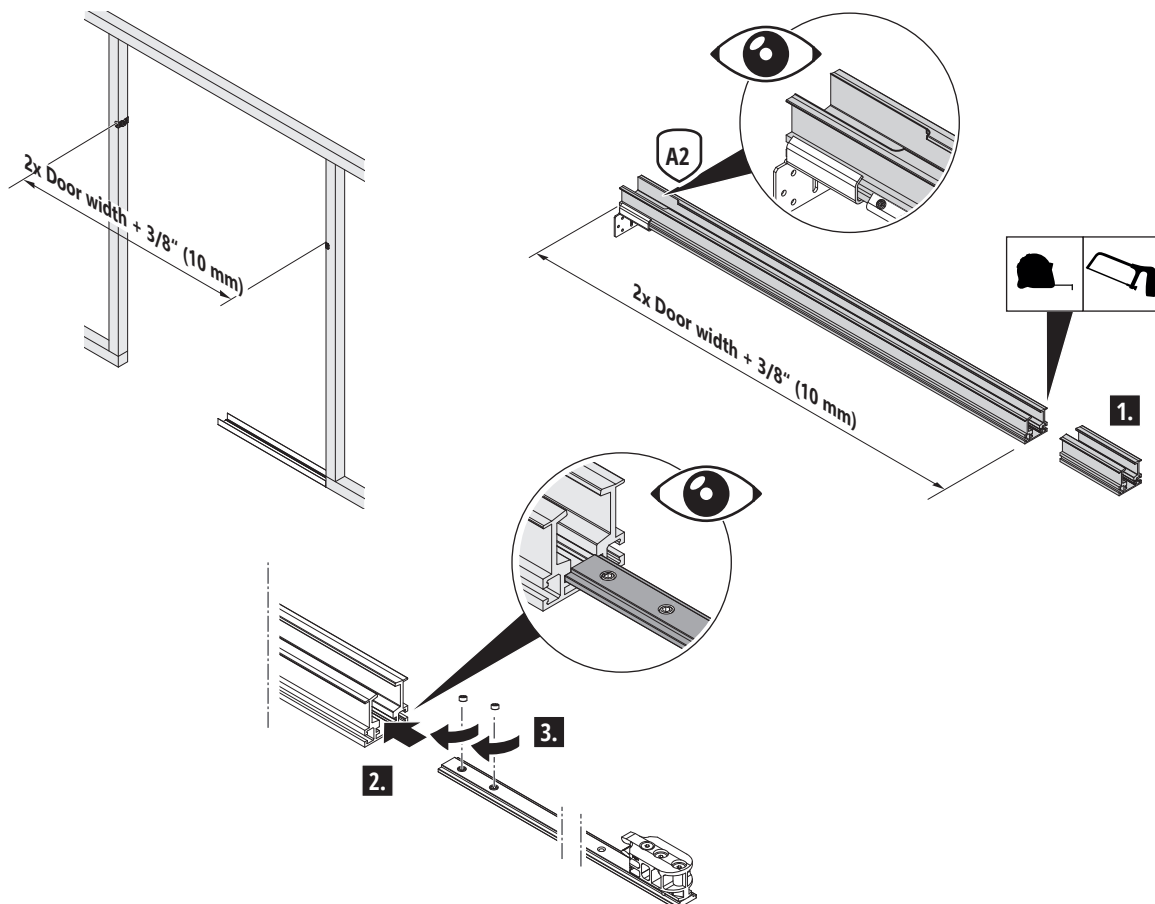
Shorten stopper adjustment mechanism according to the markings for different door sizes.



4.

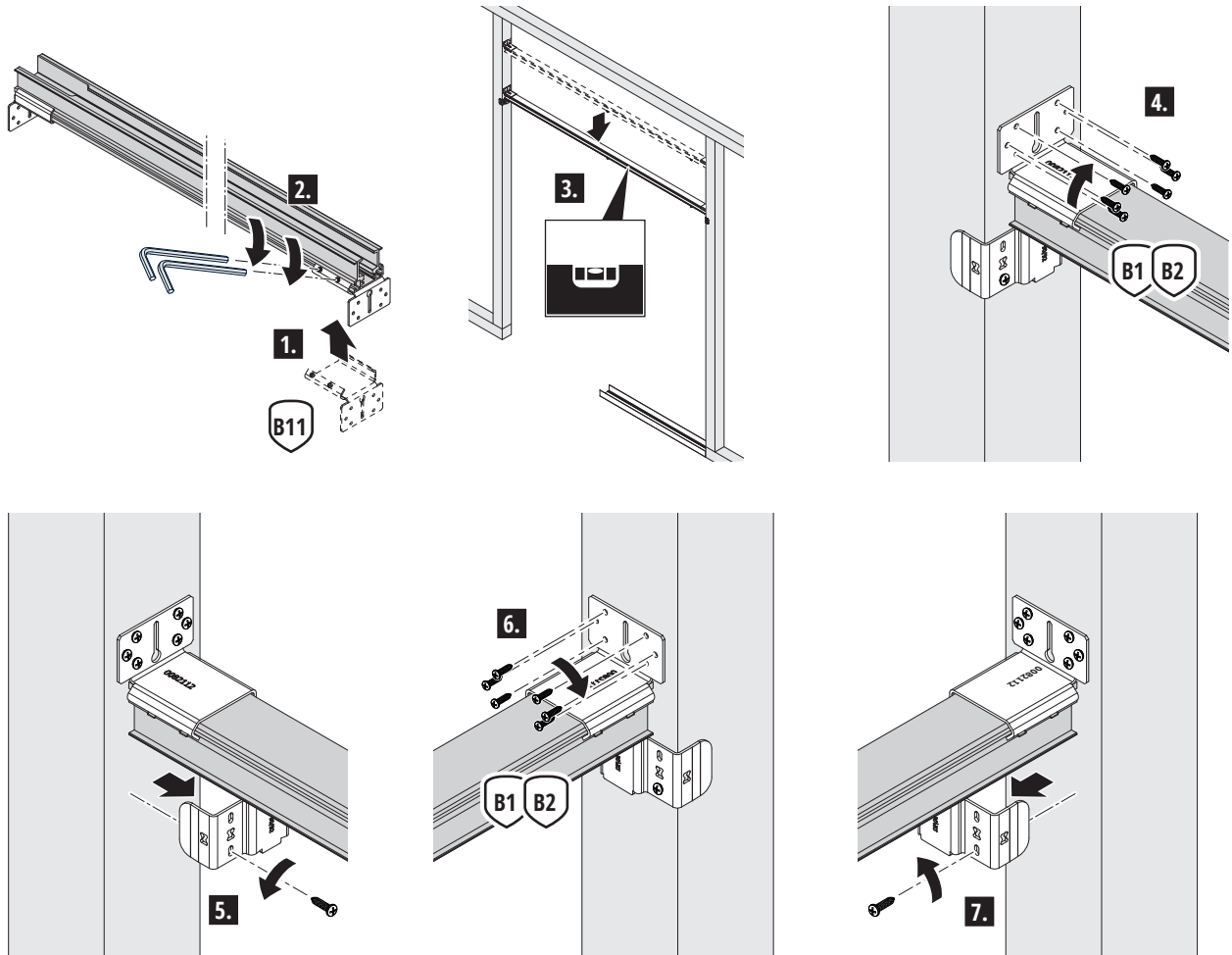
Note:

If necessary, mount accessories before attaching the track! When using a softstop or a push to open, follow the steps of the separate installation instructions!

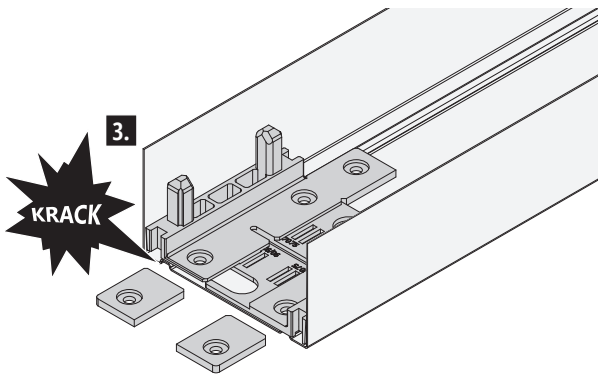
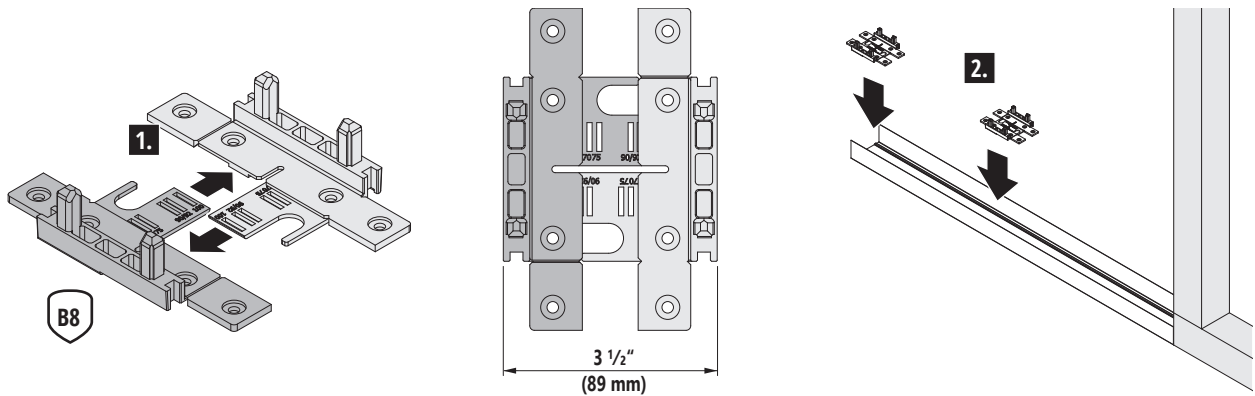


INSTALLATION

5.



6.

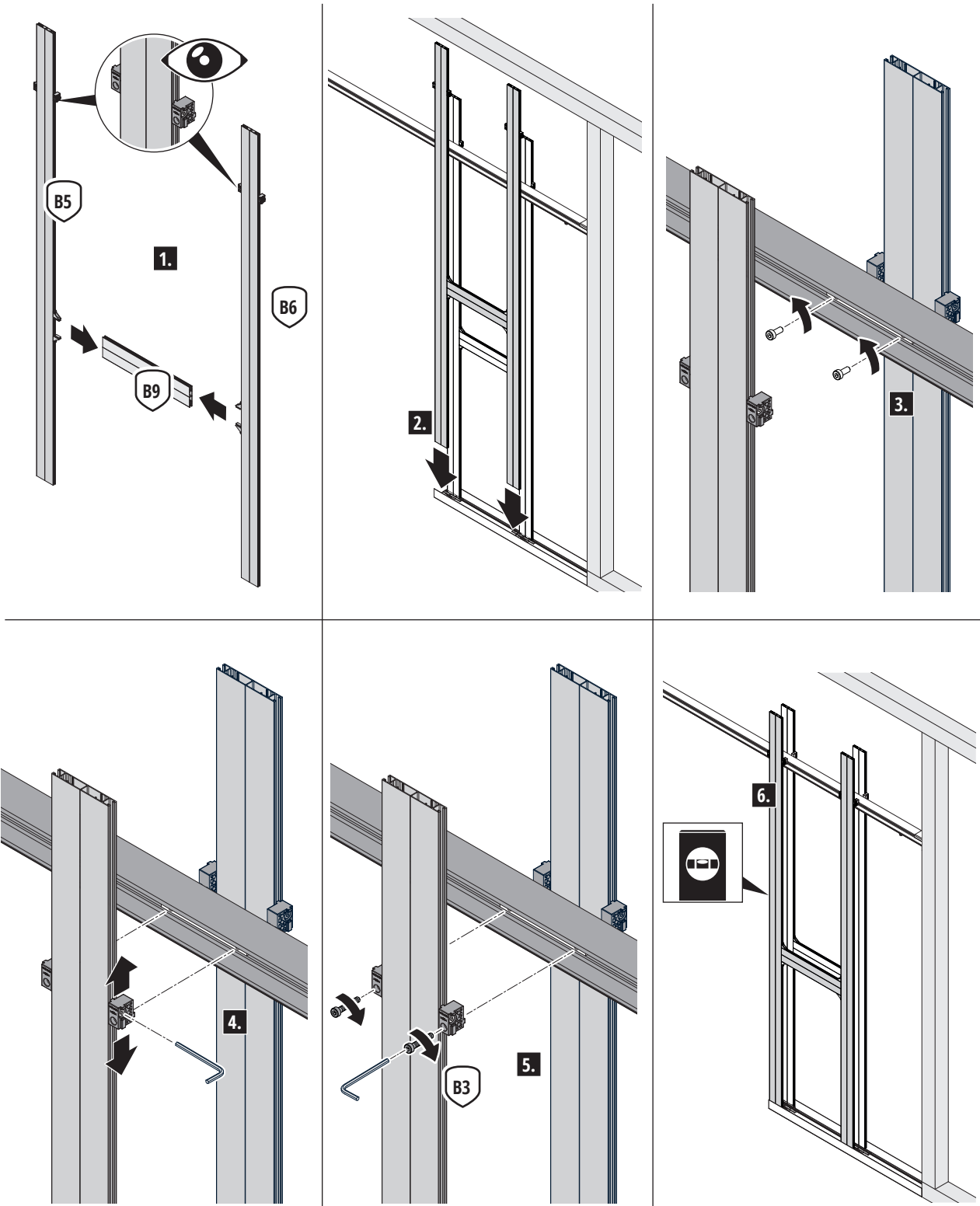


Note:

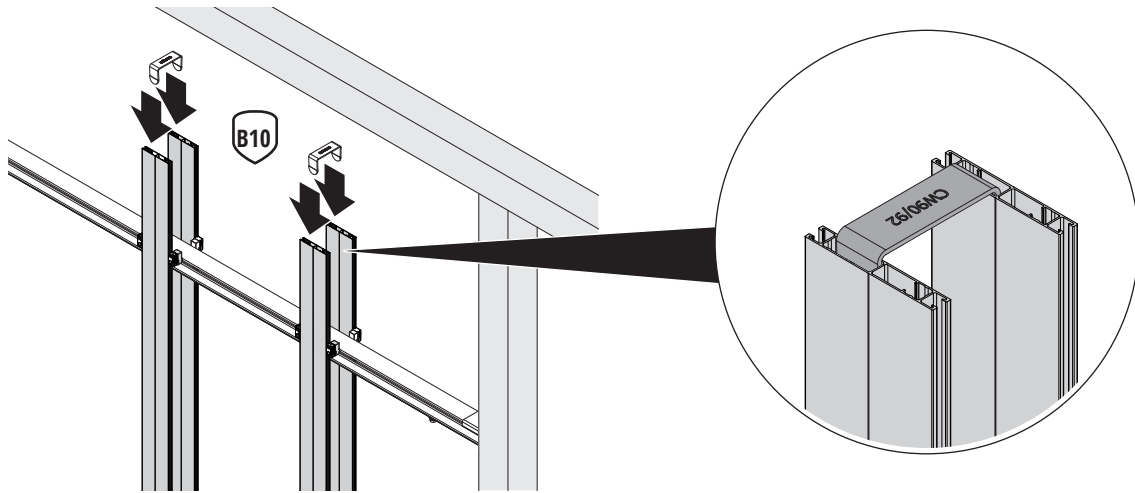
The fastening material must be adapted to the local conditions. The feet may be either screwed or glued. The use of a metal U-profile is recommended but not needed.

INSTALLATION

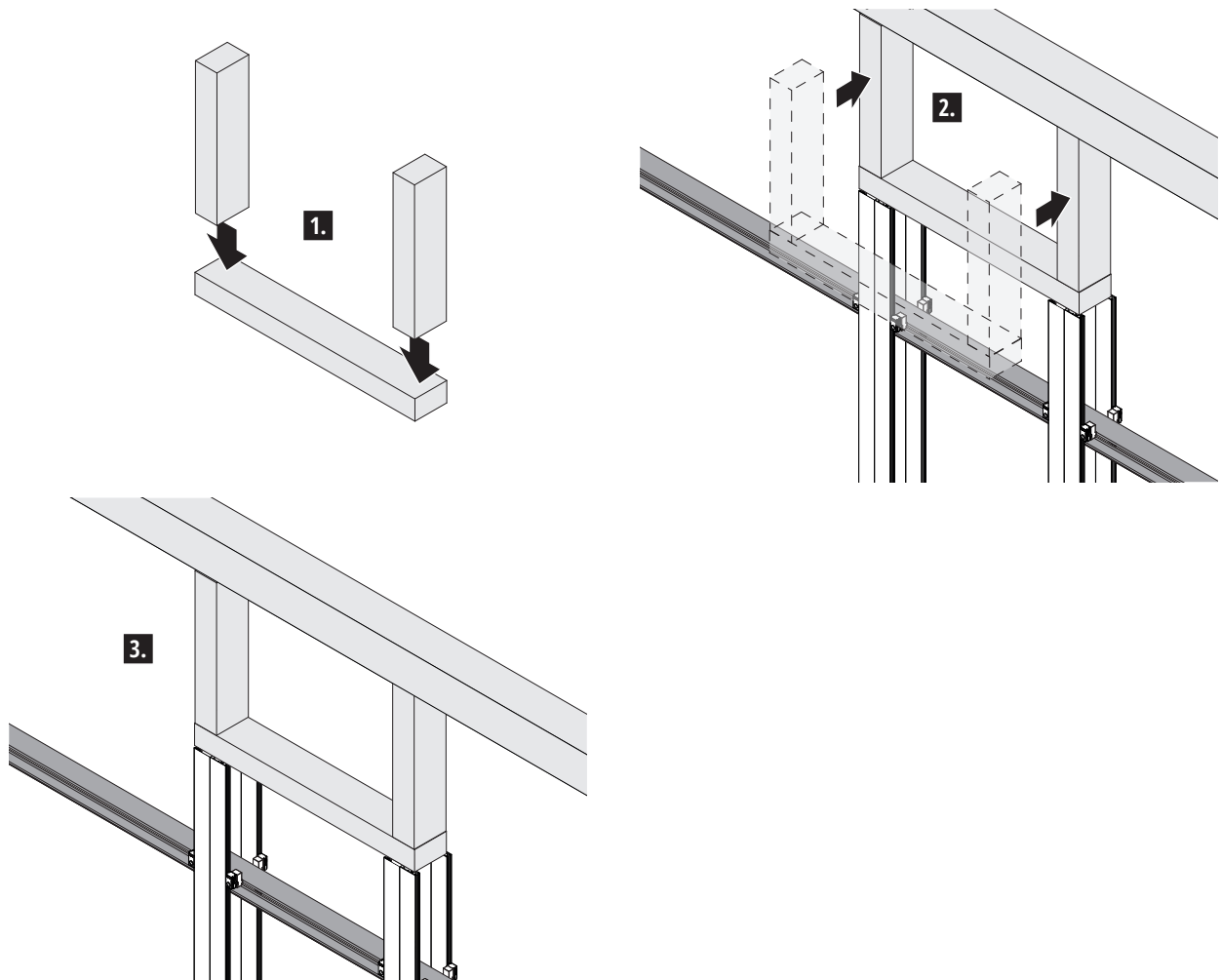
7.



8.

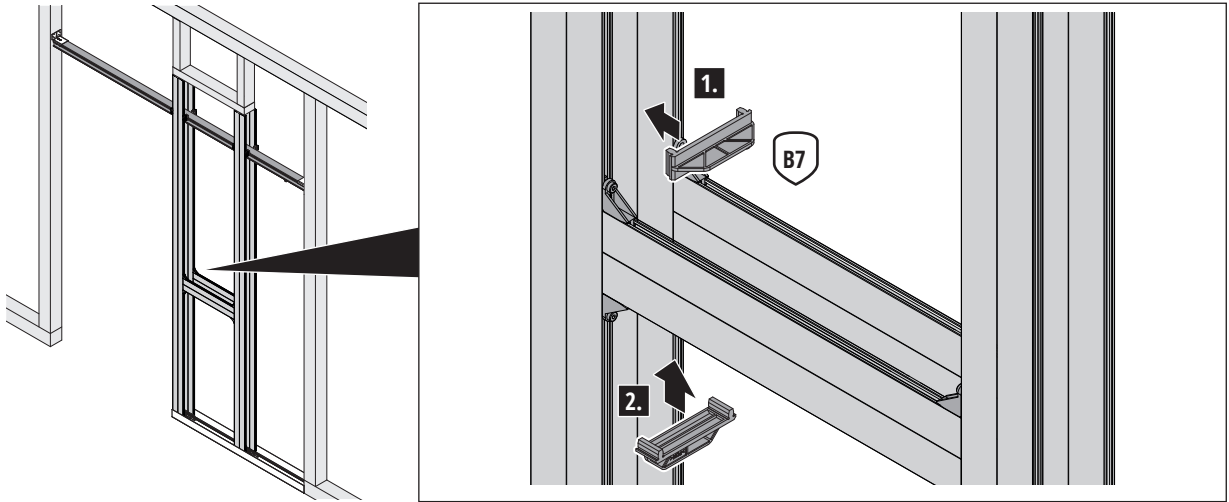


9.

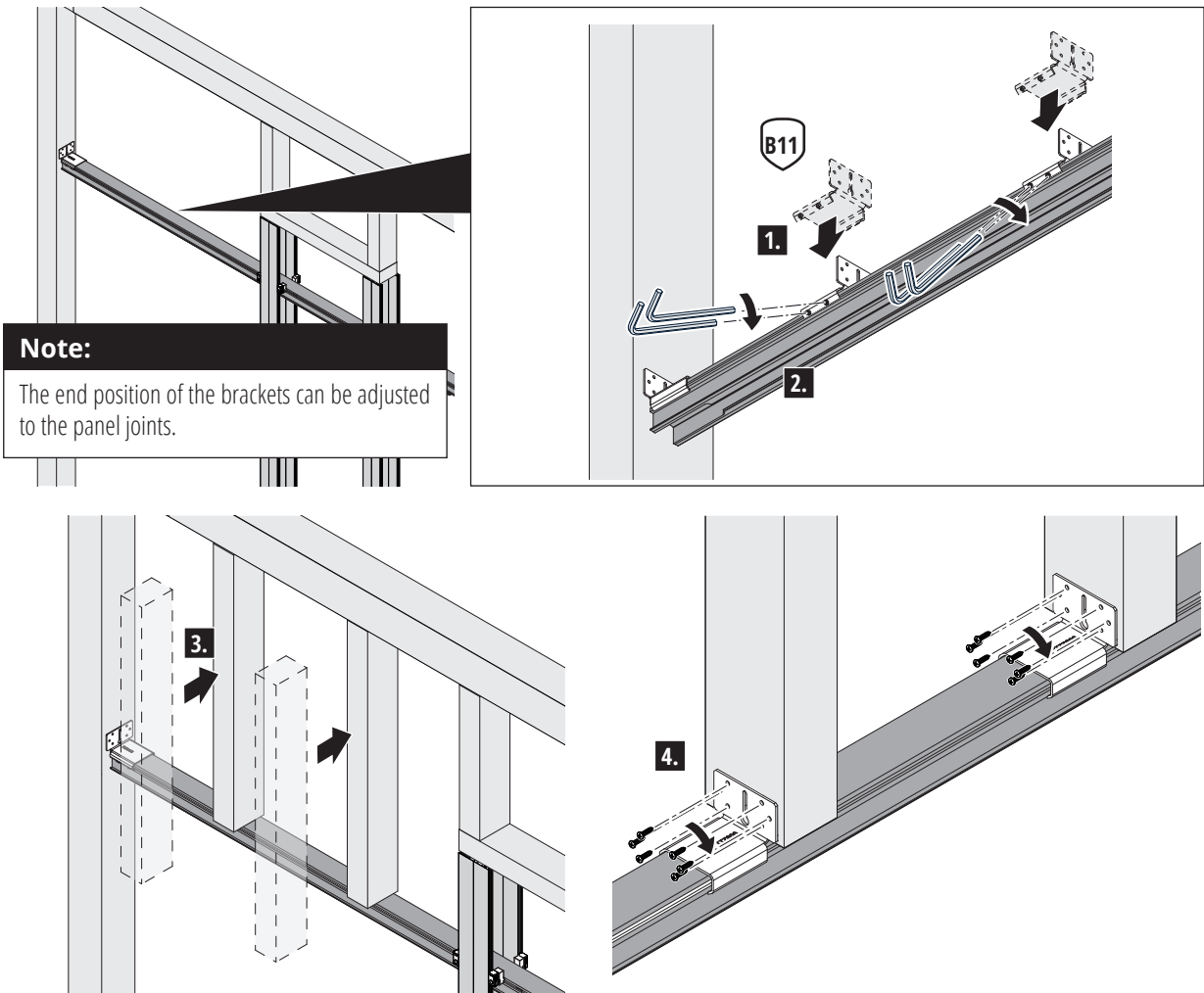


INSTALLATION

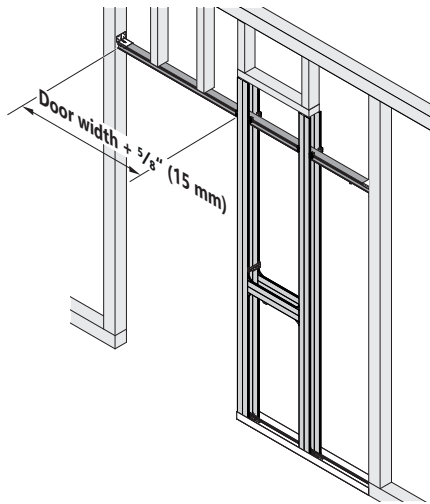
10.



11.

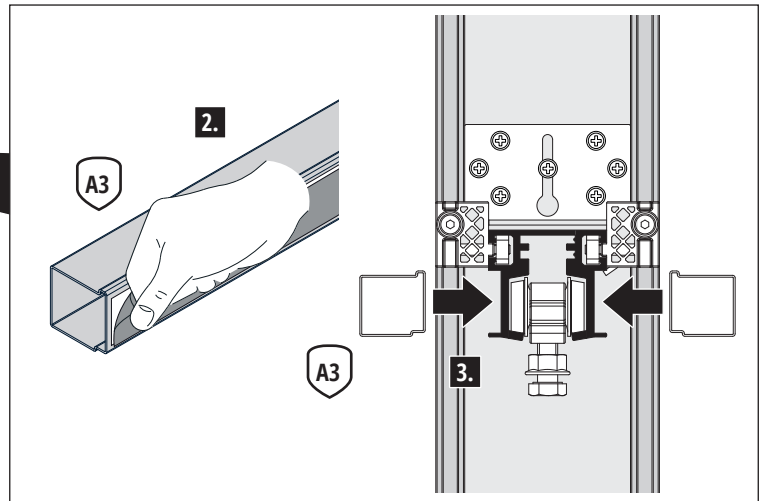
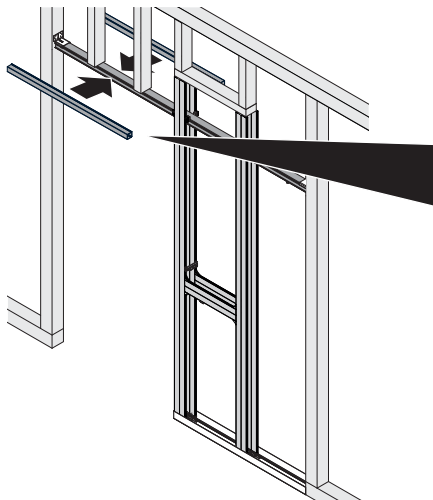
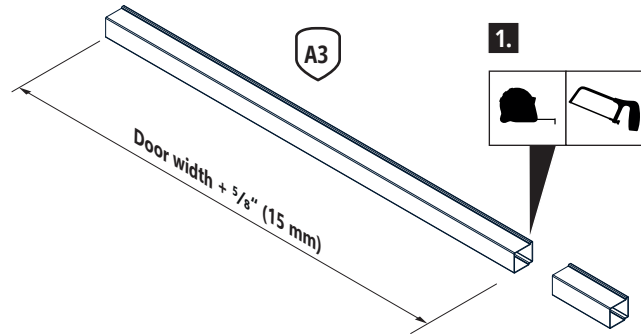


12.



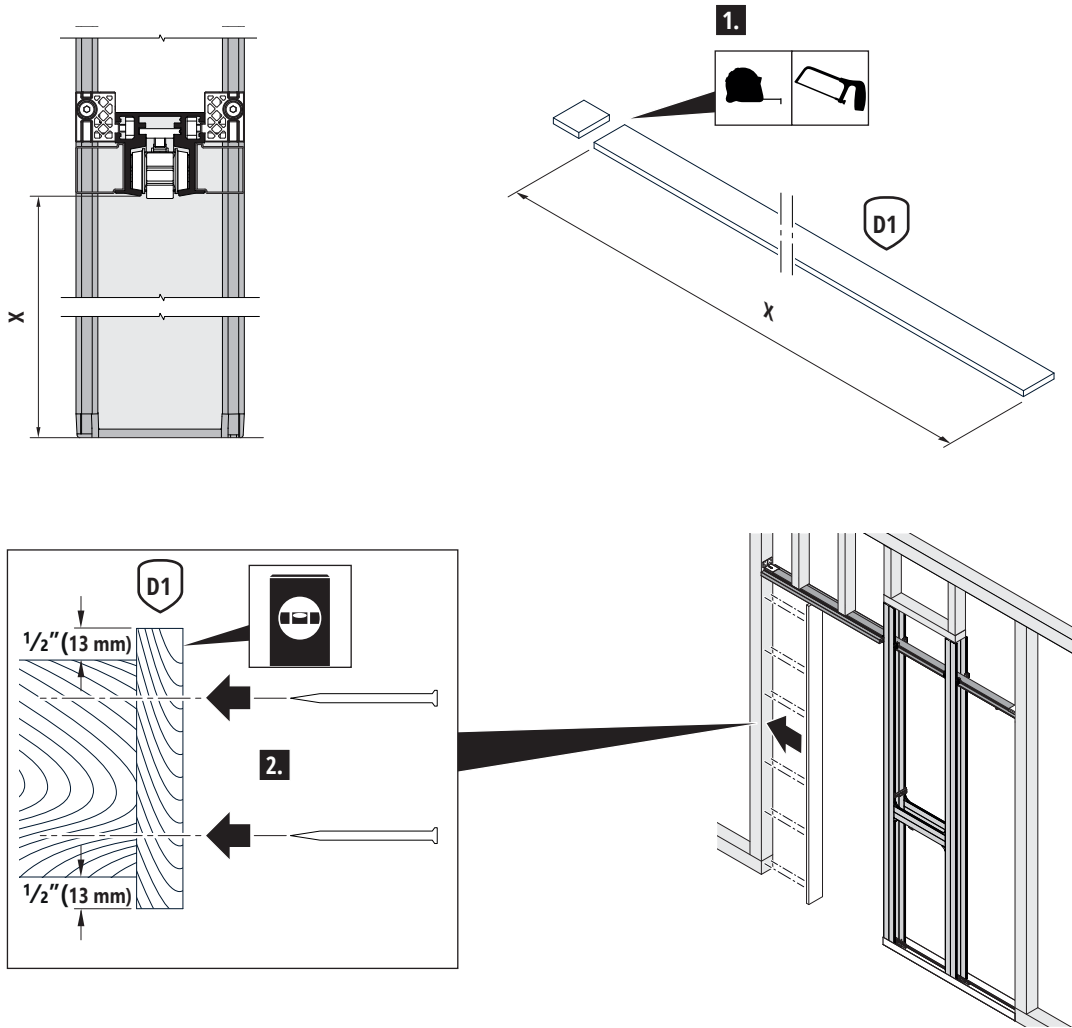
Note:

This step is only needed if you are installing a jamb kit. When using frameless jamb kit, follow the steps of the separate installation instruction!



JAMB KIT INSTALLATION (add-on part)

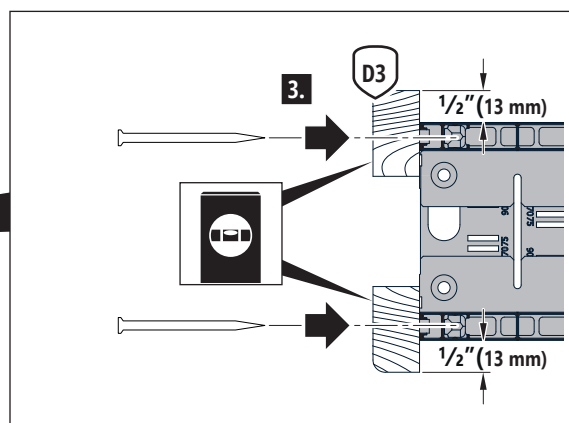
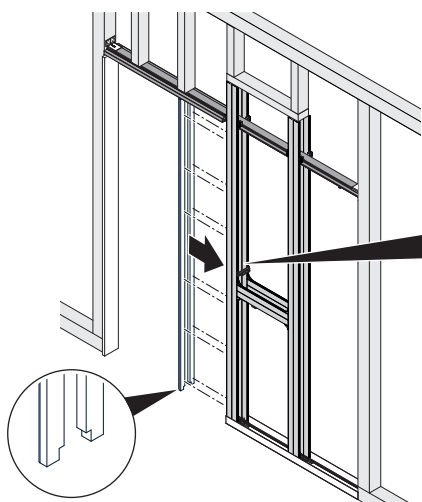
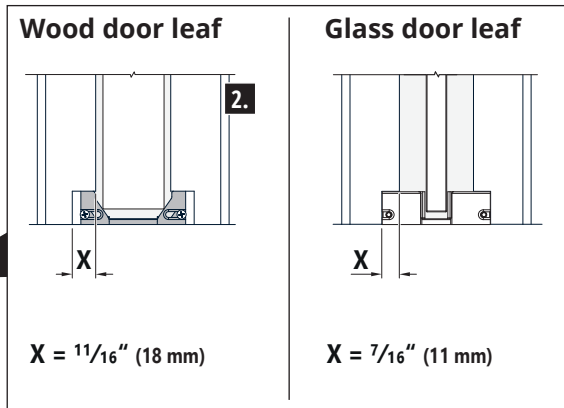
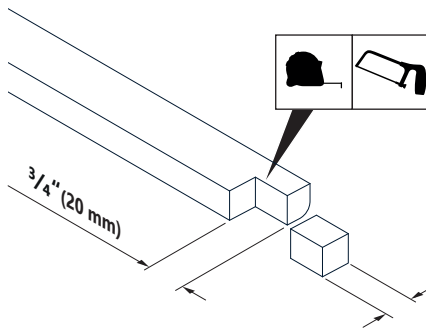
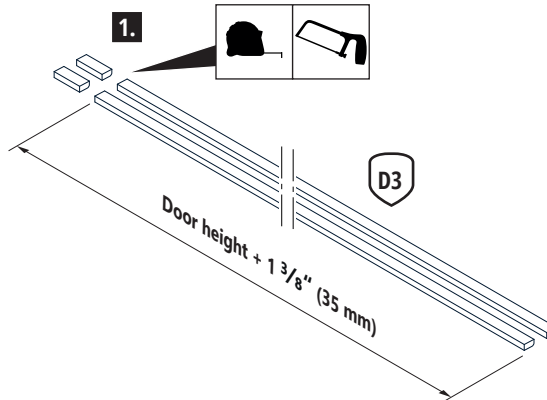
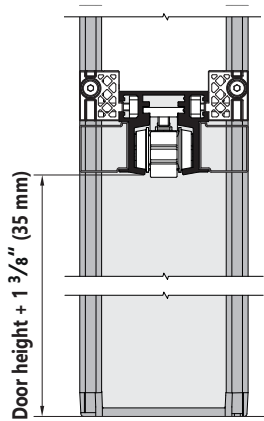
13.



JAMB KIT INSTALLATION

(add-on part)

14.

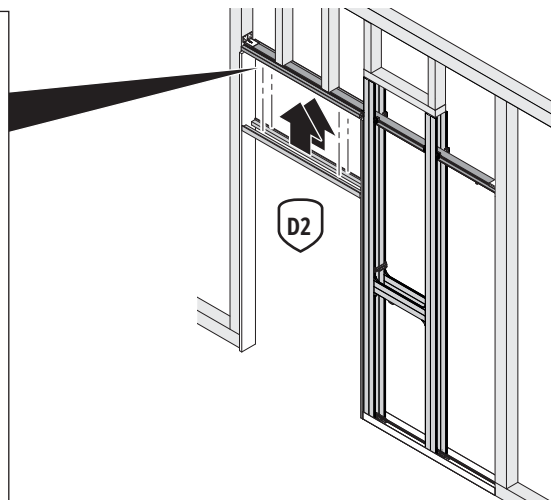
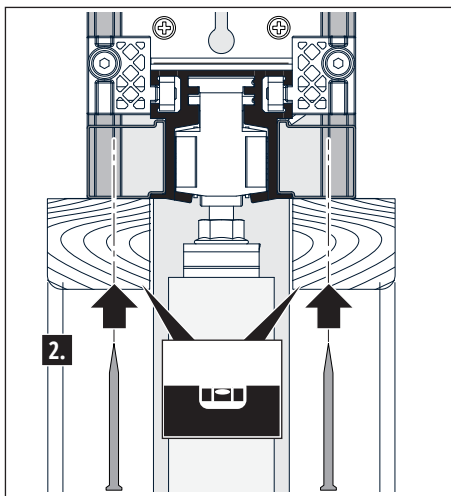
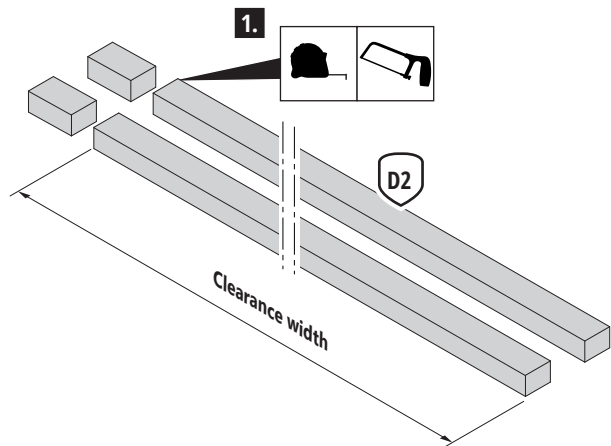
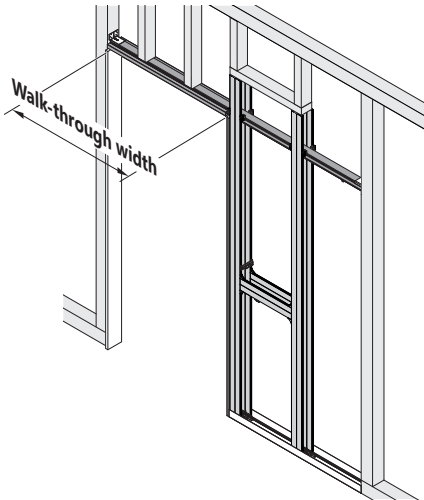


JAMB KIT INSTALLATION (add-on part)

15.

Note:

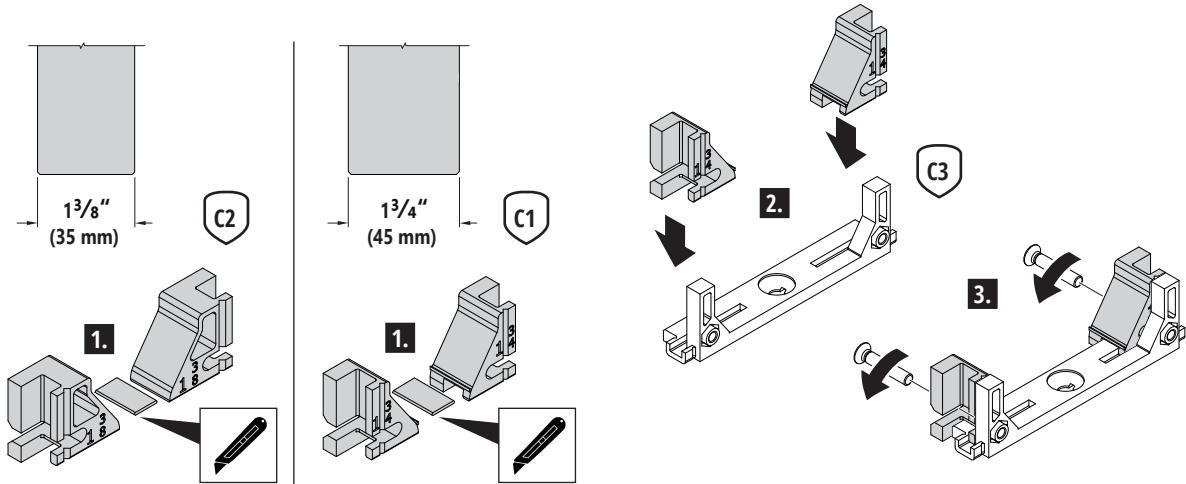
First mount the door leaf, then install the head jamb!



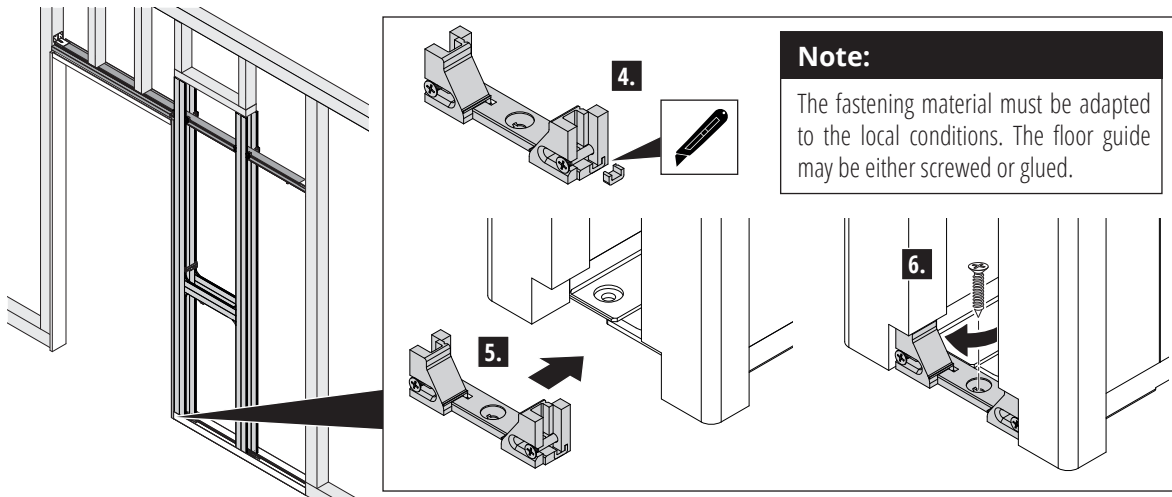
WOOD DOOR LEAF INSTALLATION

Door Leaf Not Included with Pocket Frame/Track Kit

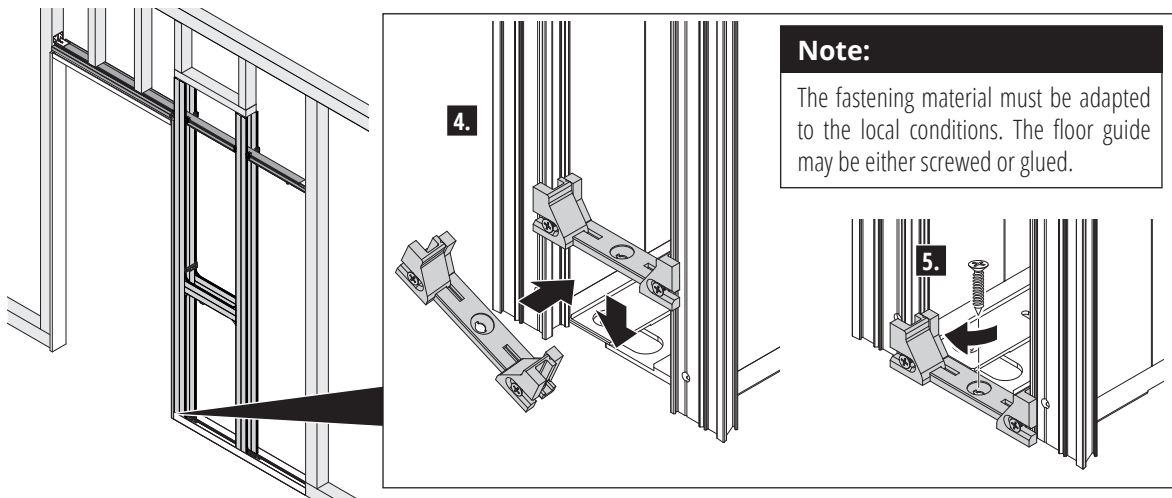
16.



With jamb kit

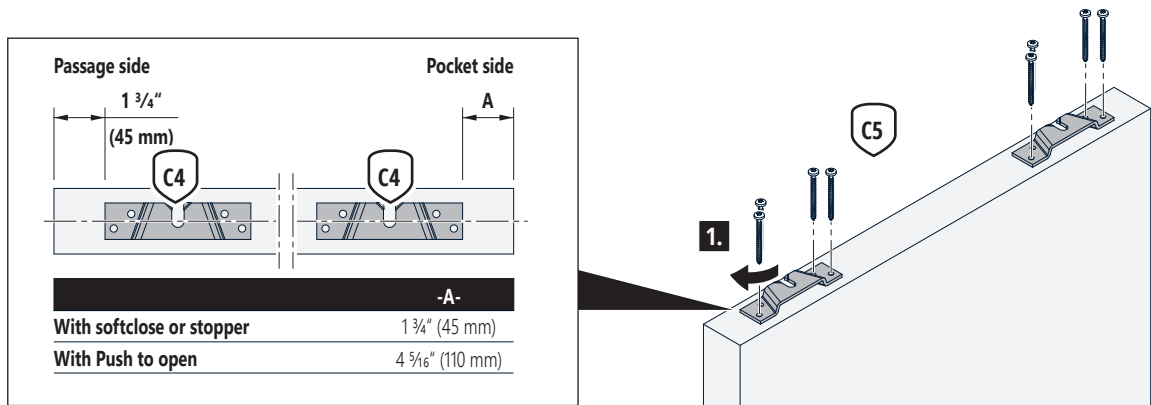


With frameless jamb kit

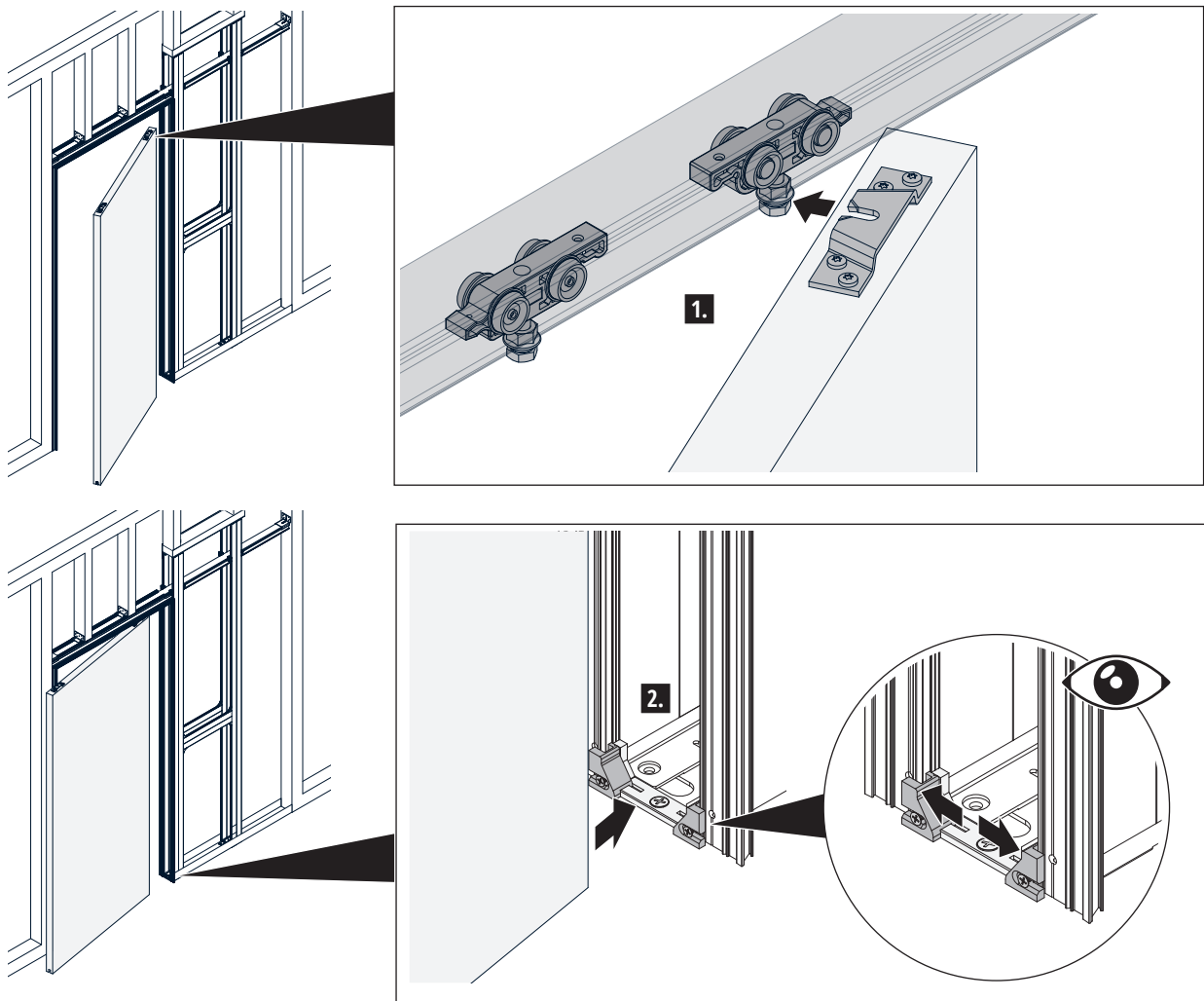


WOOD DOOR LEAF INSTALLATION

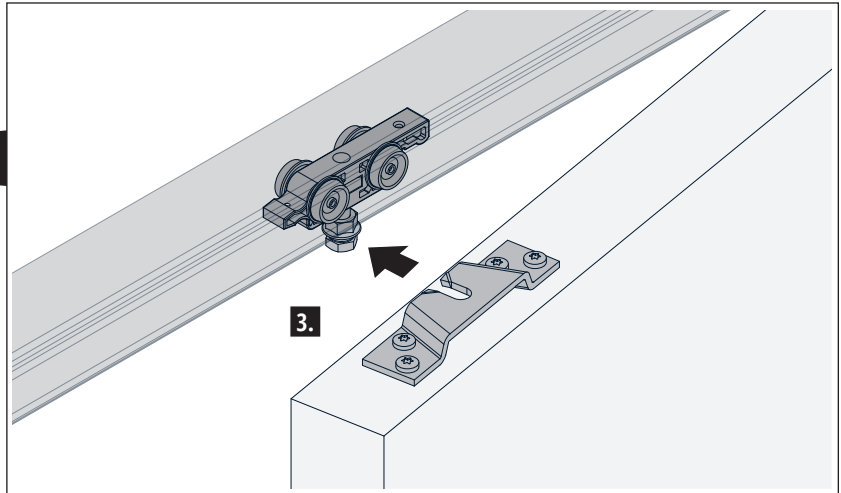
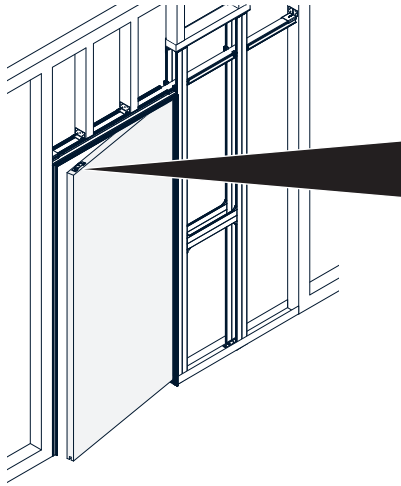
17.



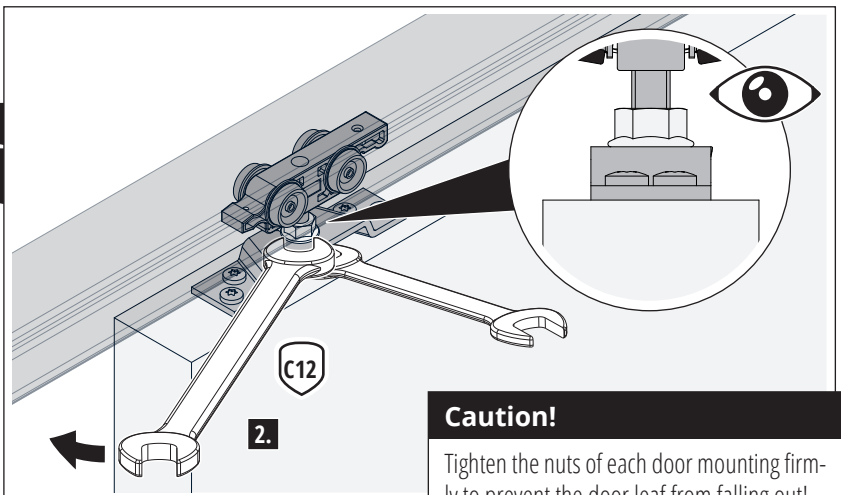
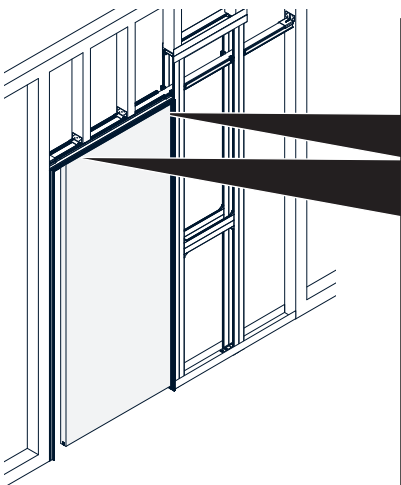
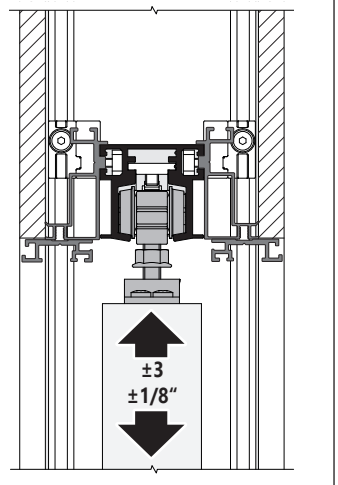
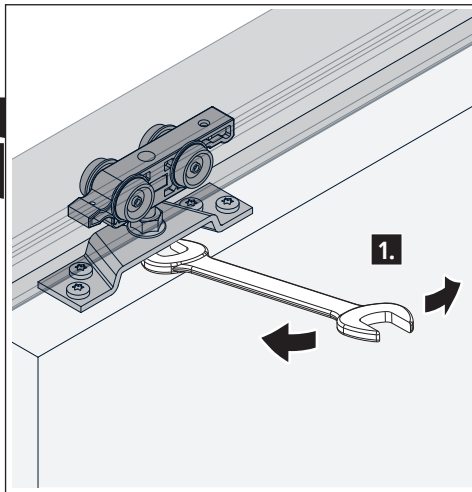
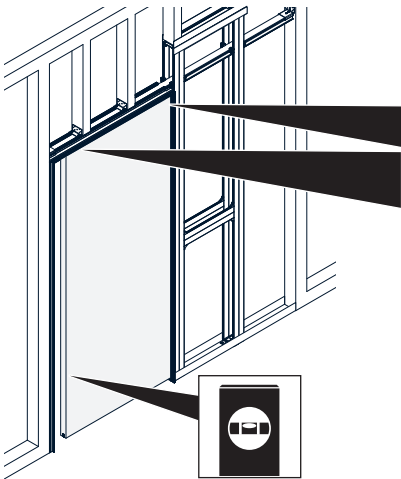
18.



WOOD DOOR LEAF INSTALLATION



19.

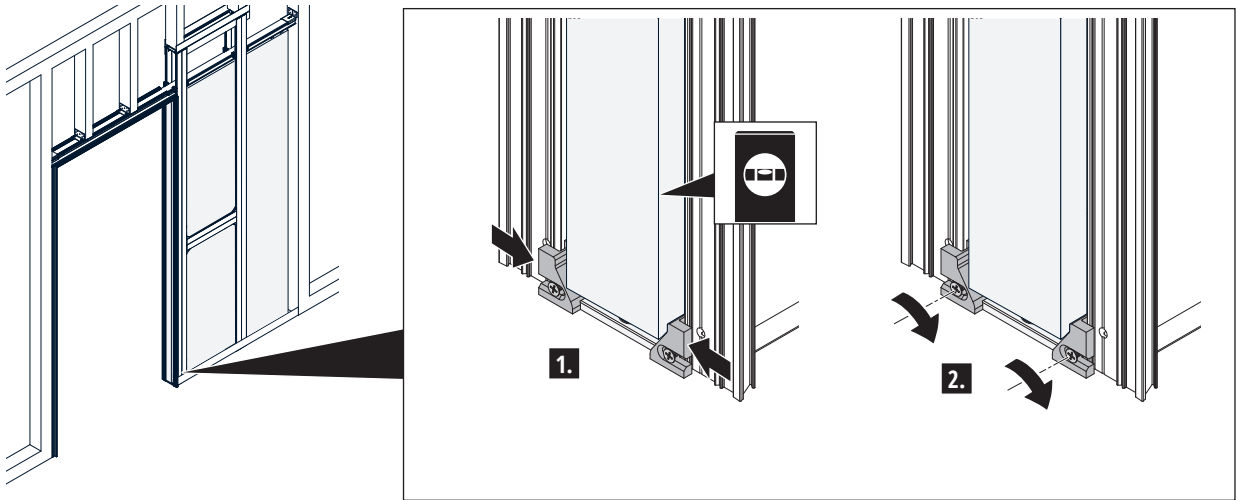


Caution!

Tighten the nuts of each door mounting firmly to prevent the door leaf from falling out!

WOOD DOOR LEAF INSTALLATION

20.



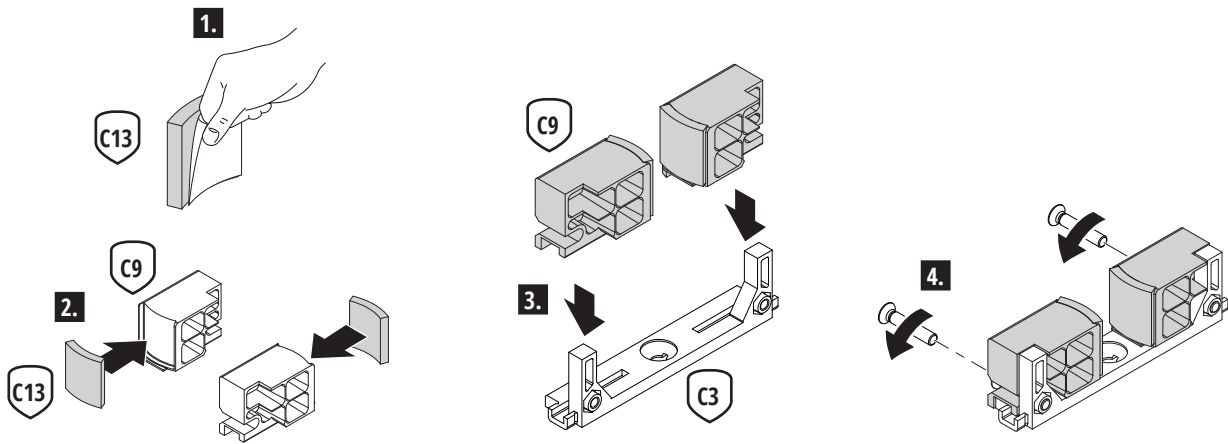
Note:

Go to Step 19 and adjust the endposition of the door stops!

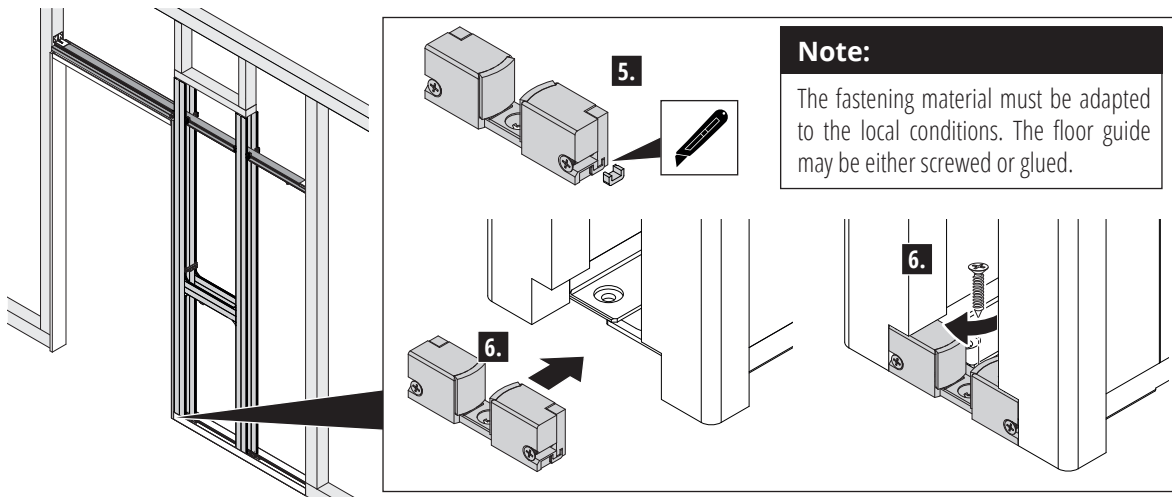
GLASS DOOR LEAF INSTALLATION

Door Leaf Not Included with Pocket Frame/Track Kit

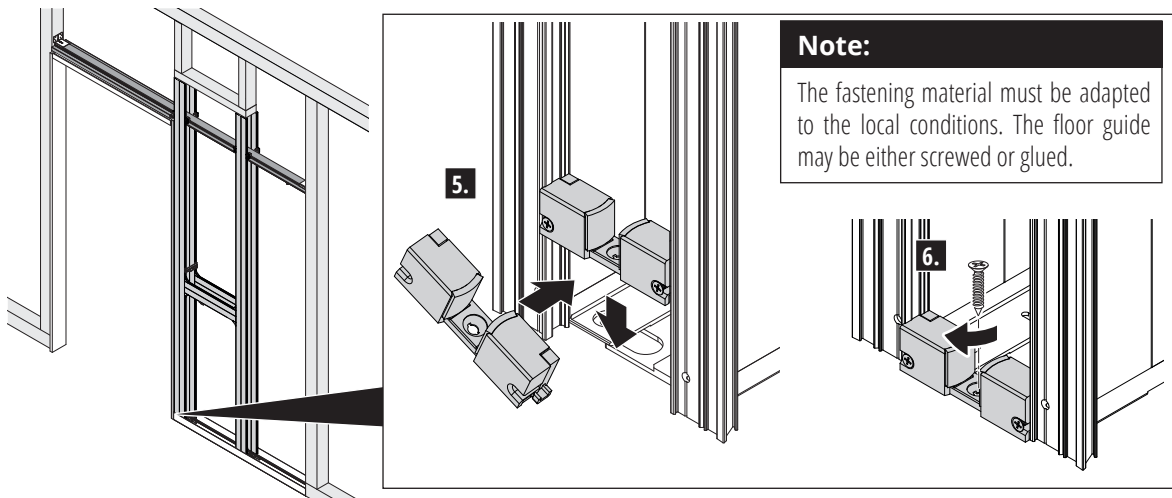
16.



With jamb kit

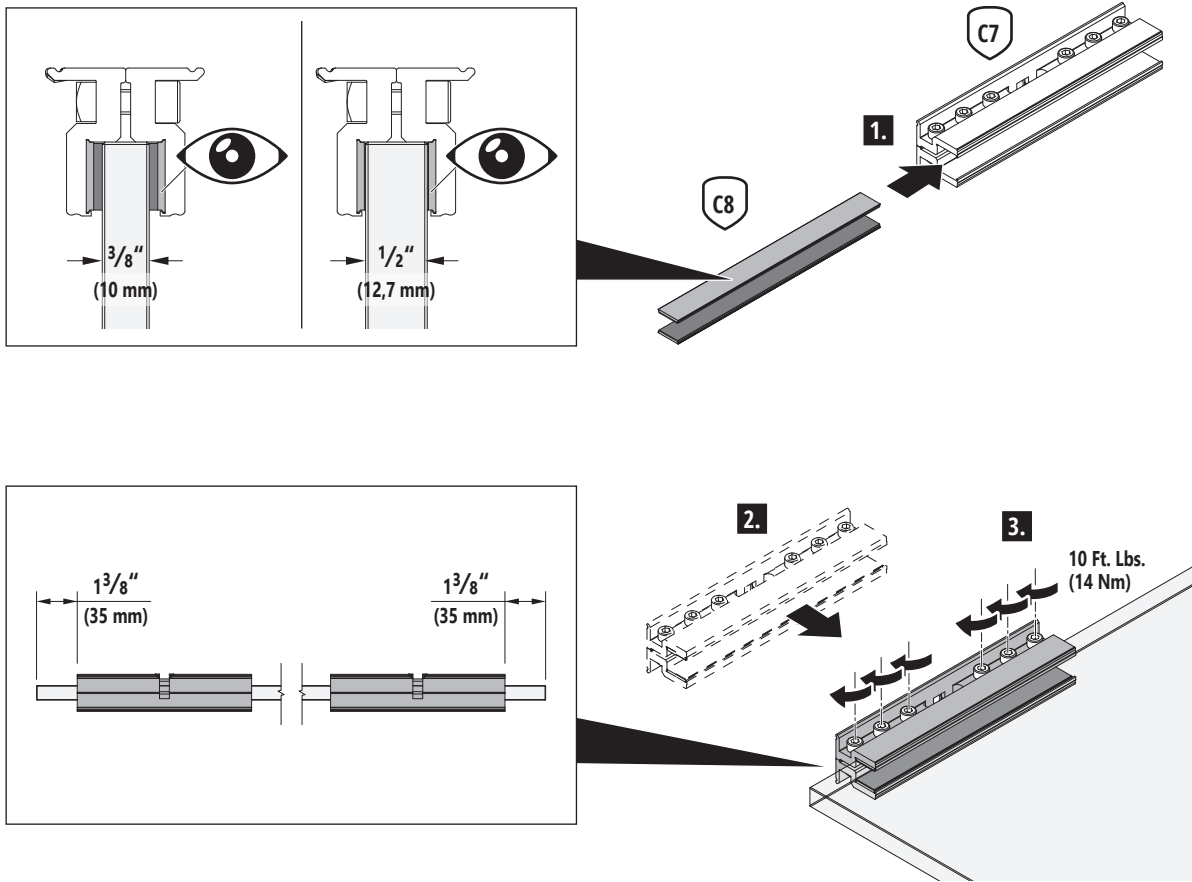


With frameless jamb kit

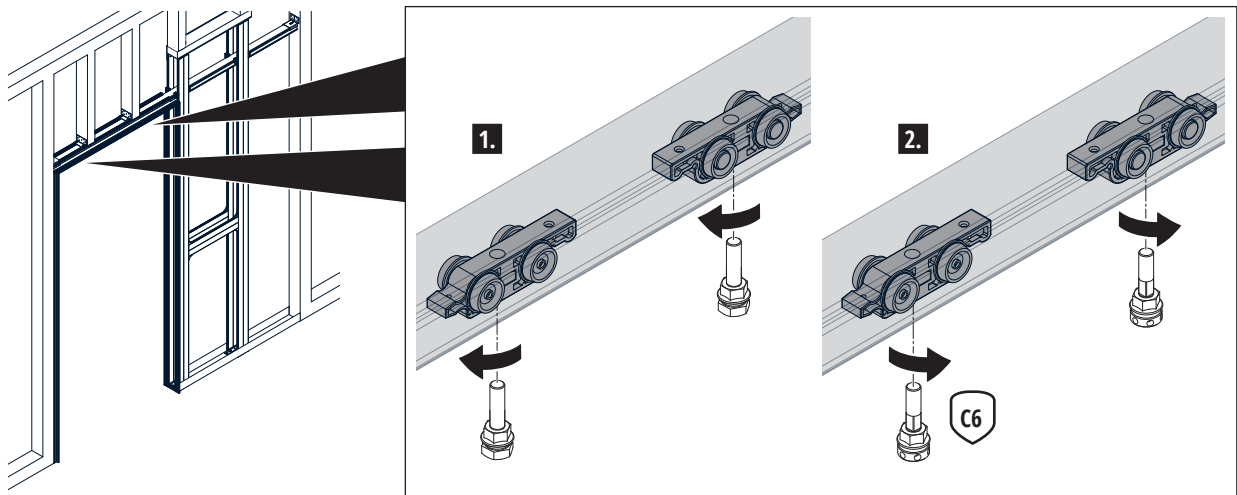


GLASS DOOR LEAF INSTALLATION

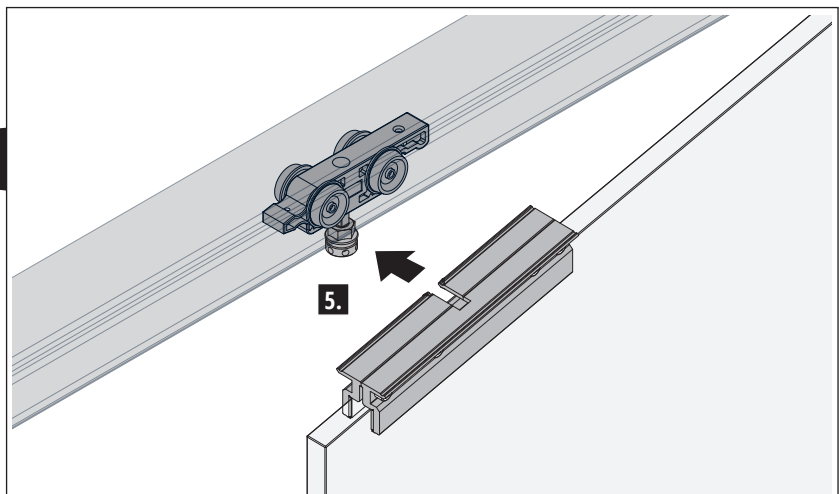
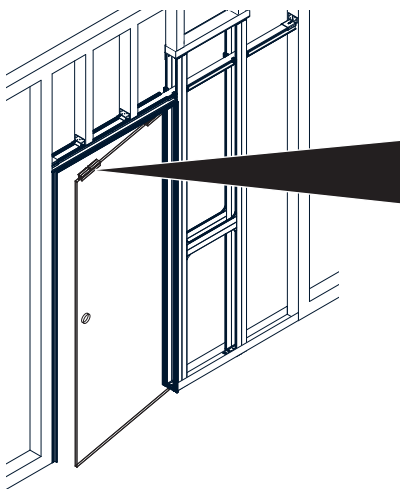
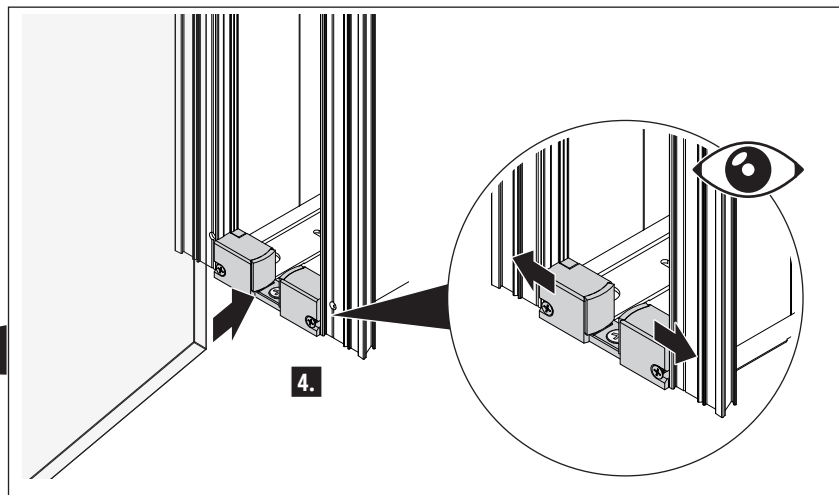
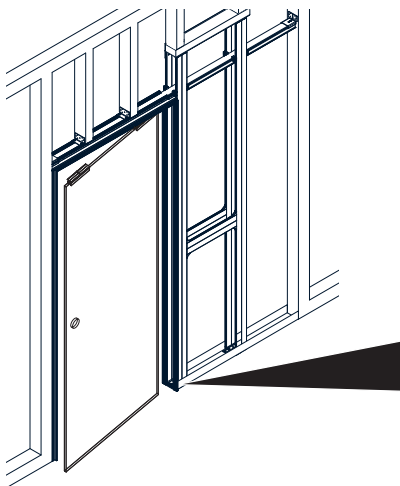
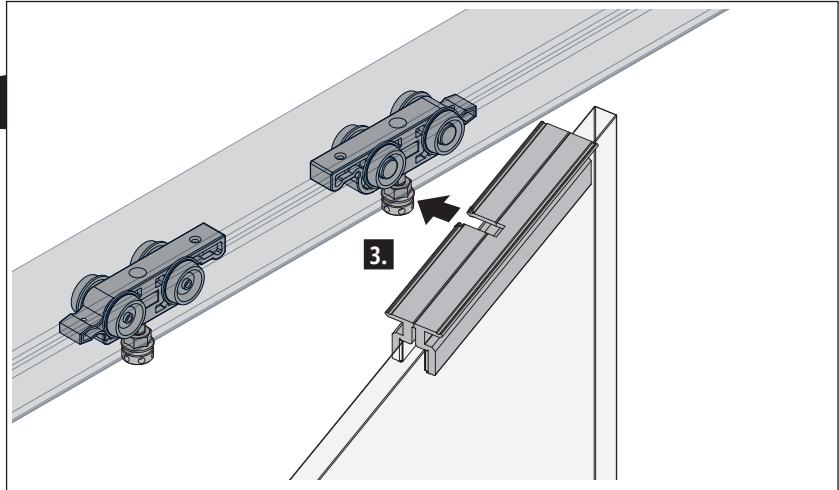
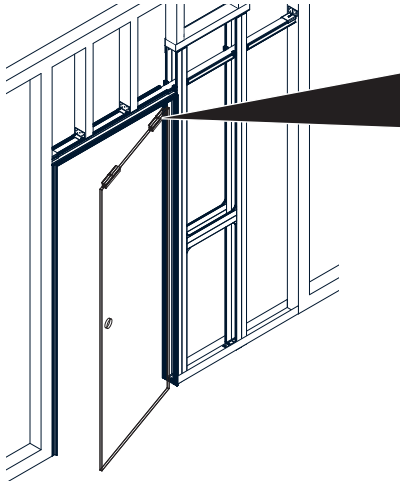
17.



18.

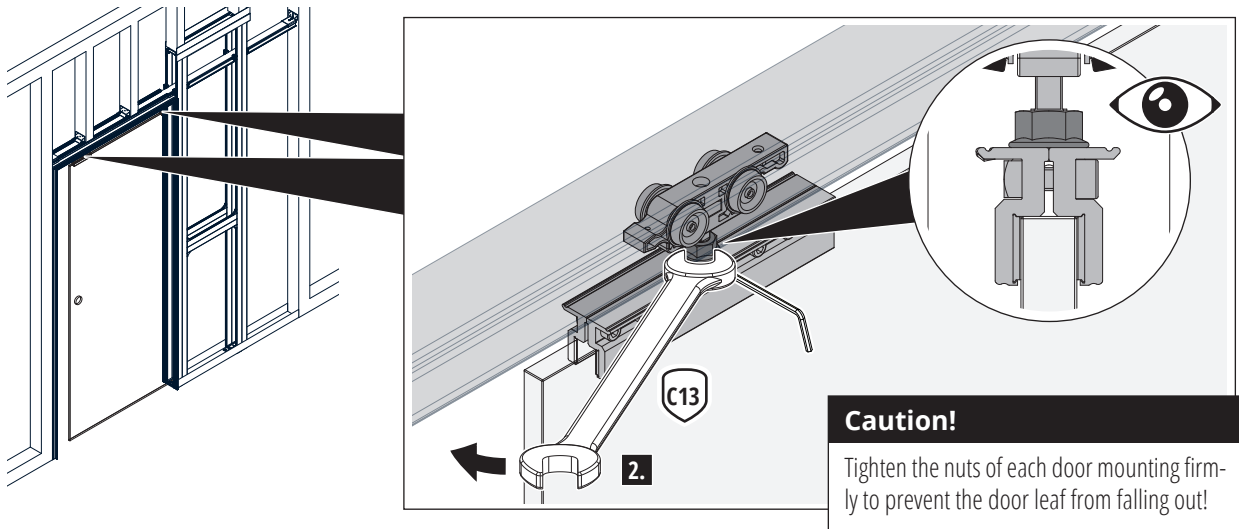
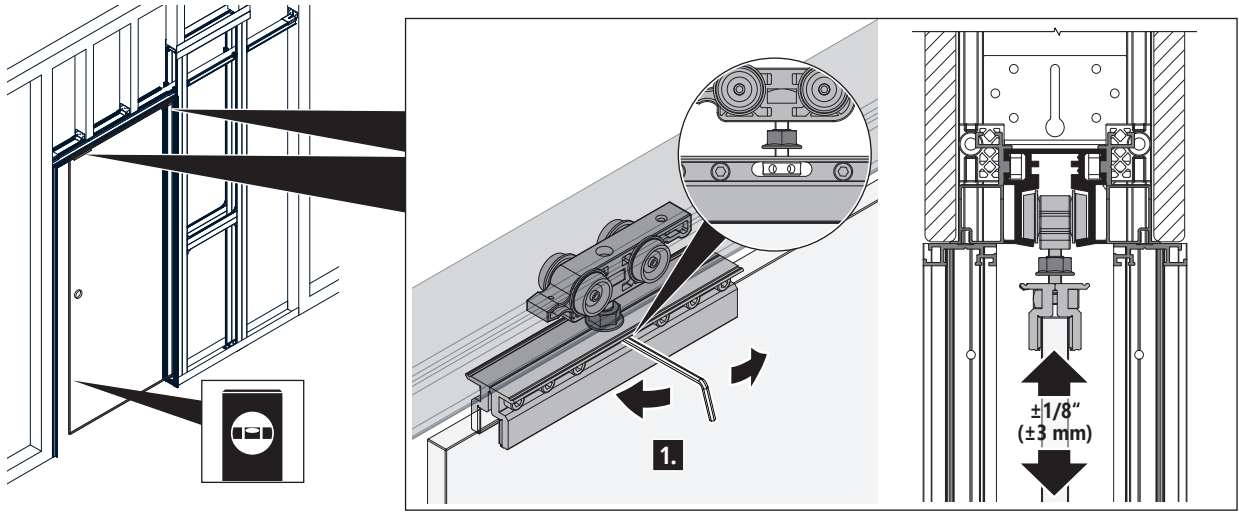


GLASS DOOR LEAF INSTALLATION

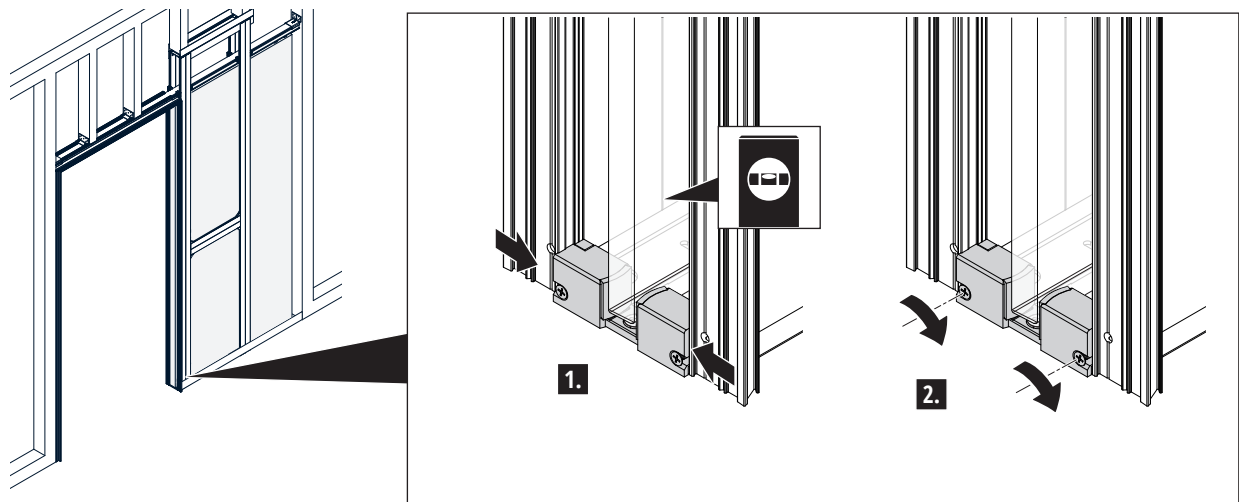


GLASS DOOR LEAF INSTALLATION

19.

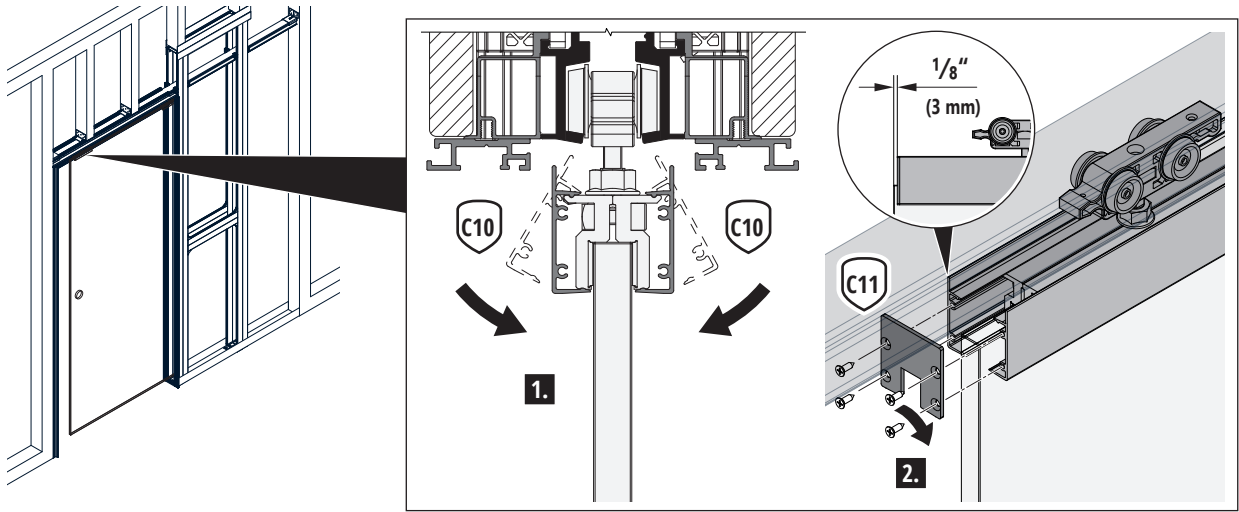


17.

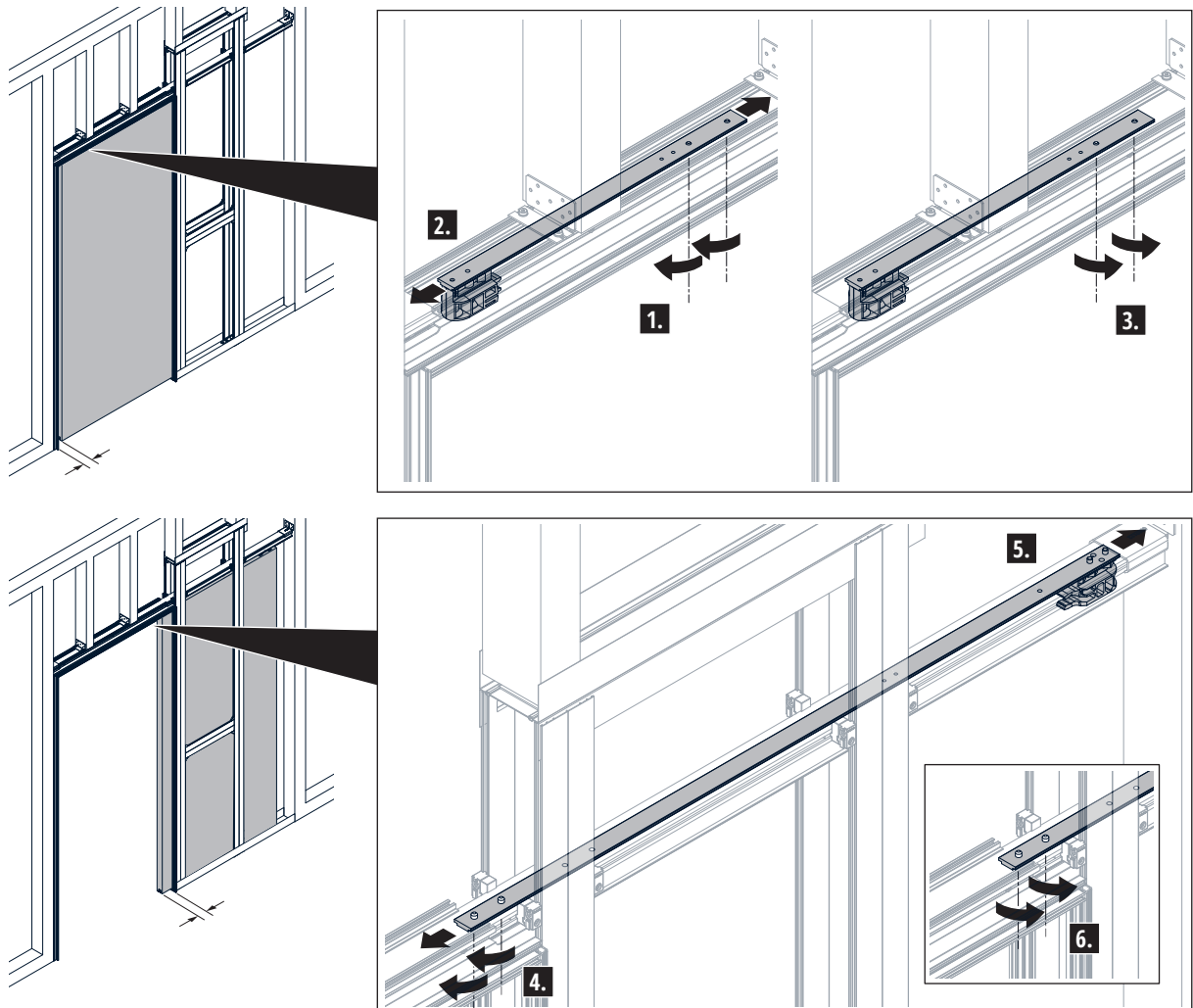


DOOR STOP POSITION SETTING

20.



21.





STAINLESS

DOOR HARDWARE

www.StainlessDoorHardware.com

855-247-1168