

# INSTALLATION INSTRUCTION

## PUSH TO OPEN FOR POCKET DOOR FRAMING AND SLIDING HARDWARE

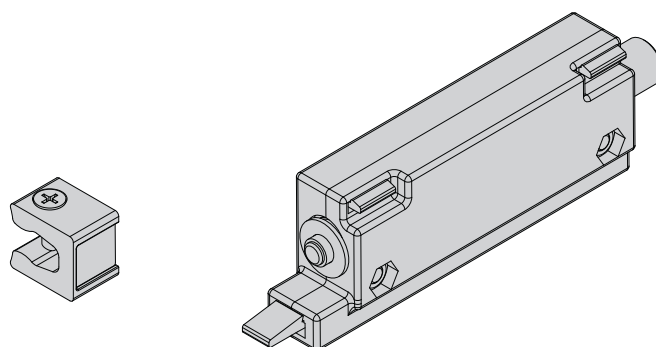
article number 0080807



**STAINLESS**

DOOR HARDWARE

[www.StainlessDoorHardware.com](http://www.StainlessDoorHardware.com)



# PREPARATION

## Product description

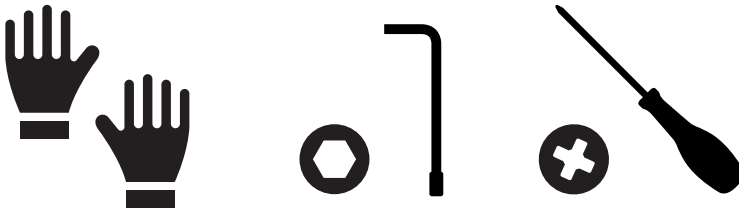
The push to open set is for use in the sliding door system Hannover. It is suitable for wood or glass doors up to 176 lb (80 kg) door leaf weight.

## Safety notes

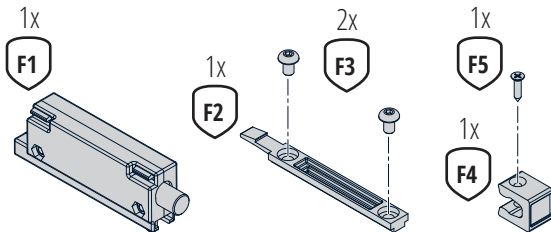
Before assembly, please read the assembly instructions carefully. In case of difficulties in understanding, contact the customer service or your supplier. In order to assemble the purchased product properly, please use the tools indicated on the following page. Since some sheets may have sharp edges, also be sure to protect your hands and work surfaces

from cuts or scratches. During assembly, always ensure that you work ergonomically and only assemble alone if you can rule out any risk to your health or other persons. All components were checked for integrity before delivery. No liability is accepted for damage caused by improper assembly or transport.

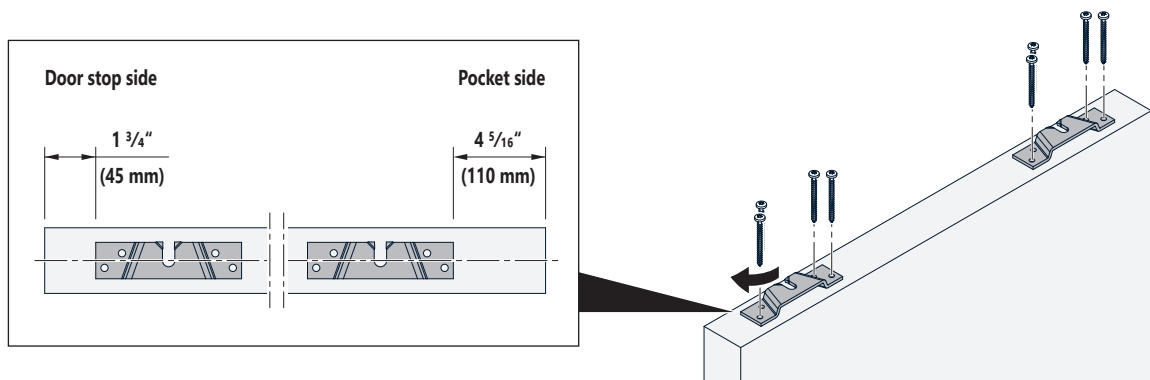
## Required tools



## Scope of delivery

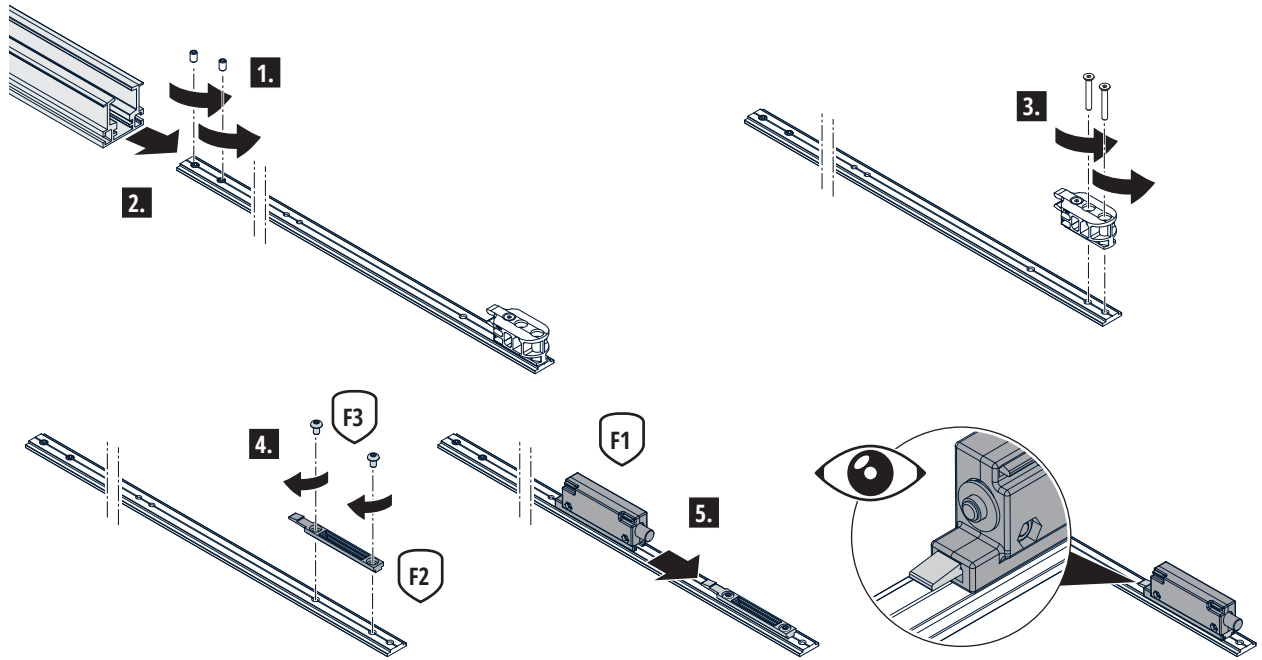


## Dimensions of the door mount

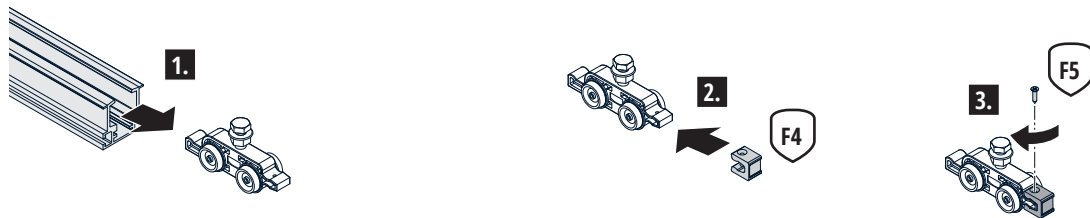


# PUSH TO OPEN INSTALLATION

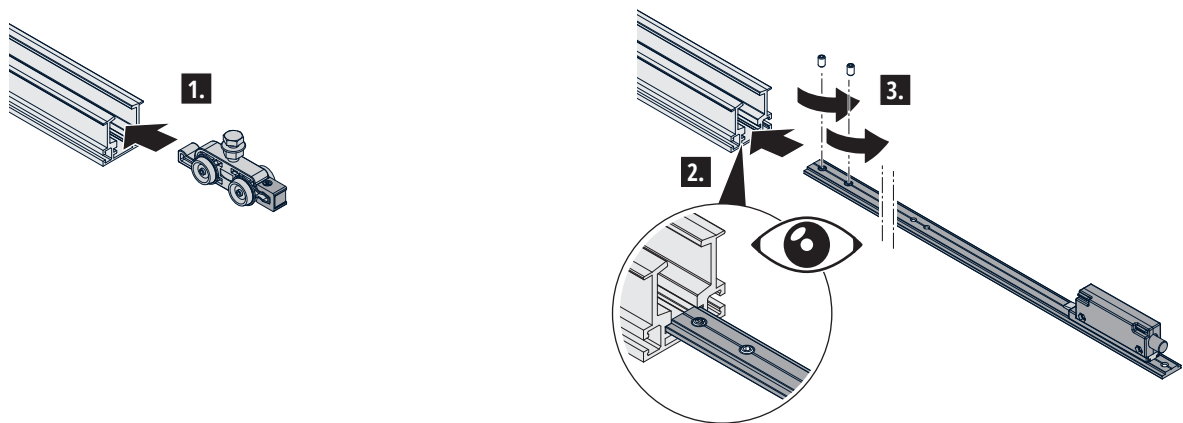
1.



2.



3.





**STAINLESS**

---

DOOR HARDWARE

[www.StainlessDoorHardware.com](http://www.StainlessDoorHardware.com)

855-247-1168