

INSTALLATION INSTRUCTION

SOFT CLOSE FOR POCKET DOOR FRAMING AND SLIDING HARDWARE

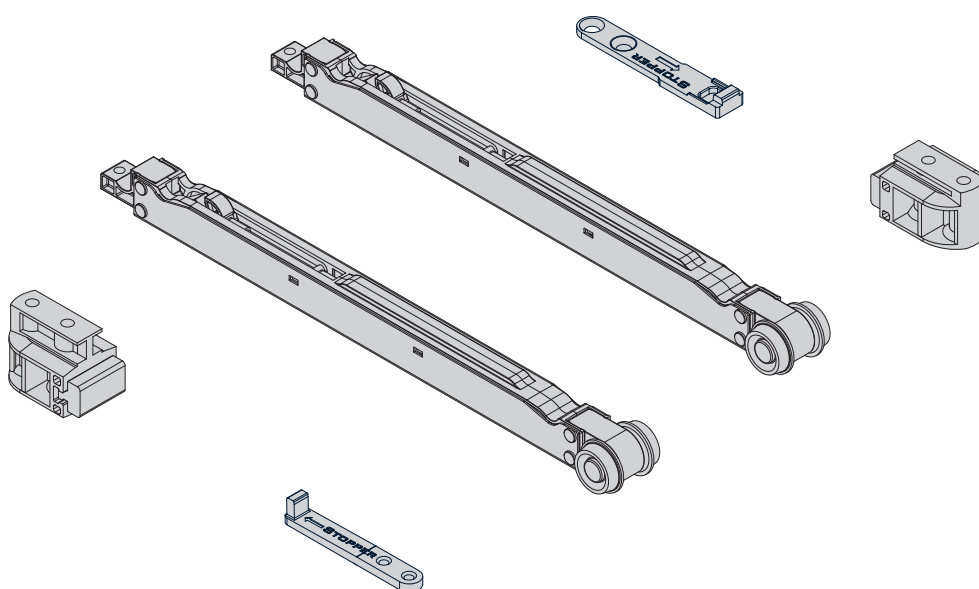
article number 0080805, 0080806



STAINLESS

DOOR HARDWARE

www.StainlessDoorHardware.com



PREPARATION

Product description

The soft close set is for use in the sliding door system Hannover. It is suitable for wood or glass doors up to 176 lb (80 kg).

Safety notes

Before assembly, please read the assembly instructions carefully. In case of difficulties in understanding, contact the customer service or your supplier. In order to assemble the purchased product properly, please use the tools indicated on the following page. Since some sheets may have sharp edges, also be sure to protect your hands and work surfaces

from cuts or scratches. During assembly, always ensure that you work ergonomically and only assemble alone if you can rule out any risk to your health or other persons. All components were checked for integrity before delivery. No liability is accepted for damage caused by improper assembly or transport.

Required tools

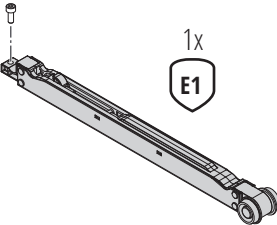


Minimum door widths

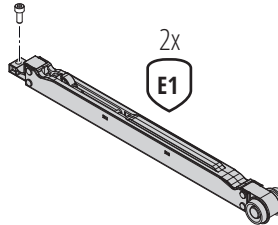
Single side Softclose:	24" (610 mm)
Single side Softclose + Push to open:	27" (675 mm)
Double side Softclose:	34" (860 mm)

Soft close set for doors up to 176 lb

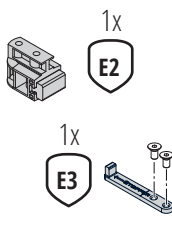
Single side soft close



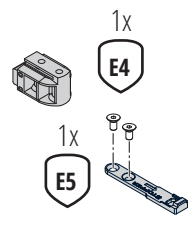
Double side soft close



Door stop side stopper

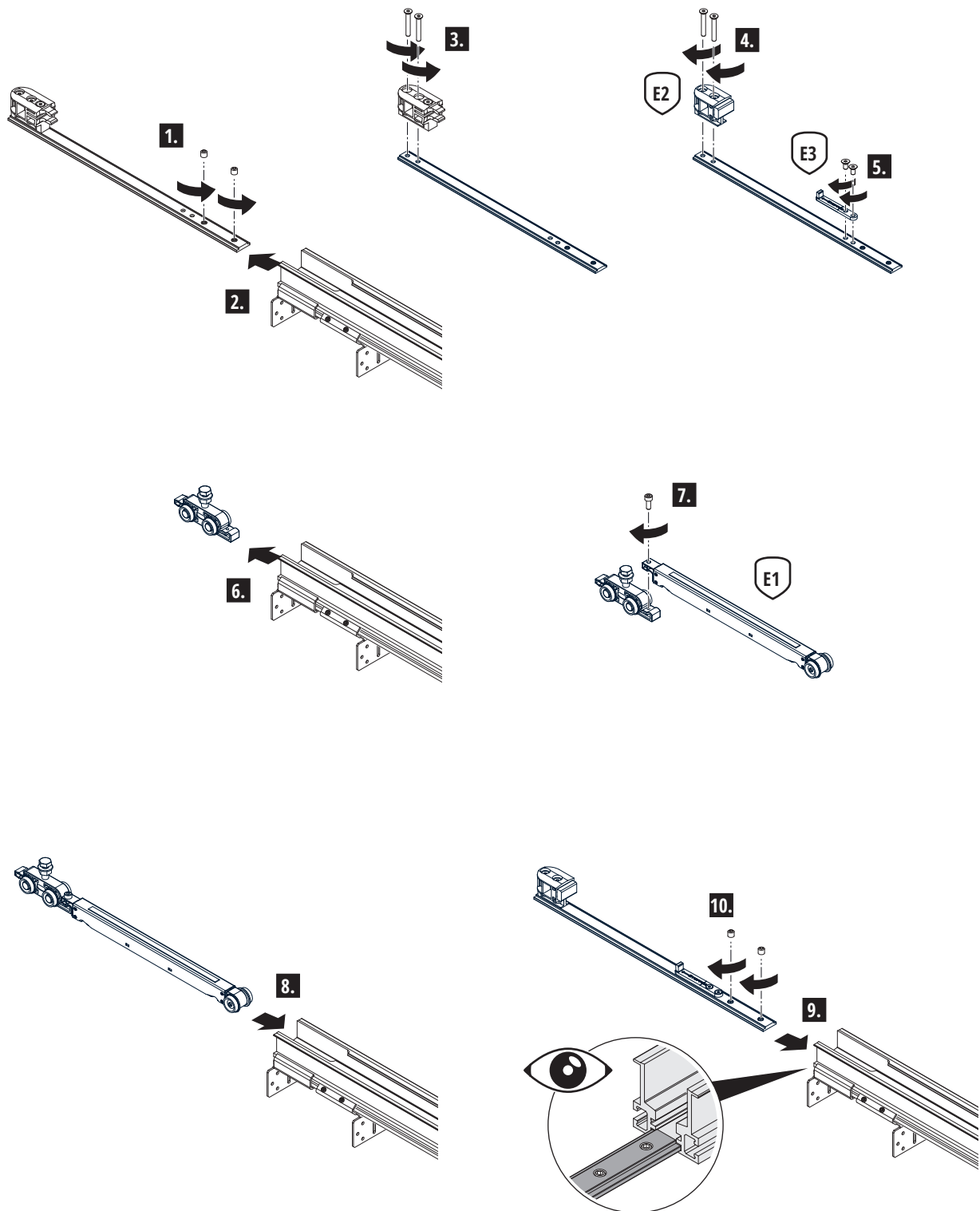


Pocket side stopper

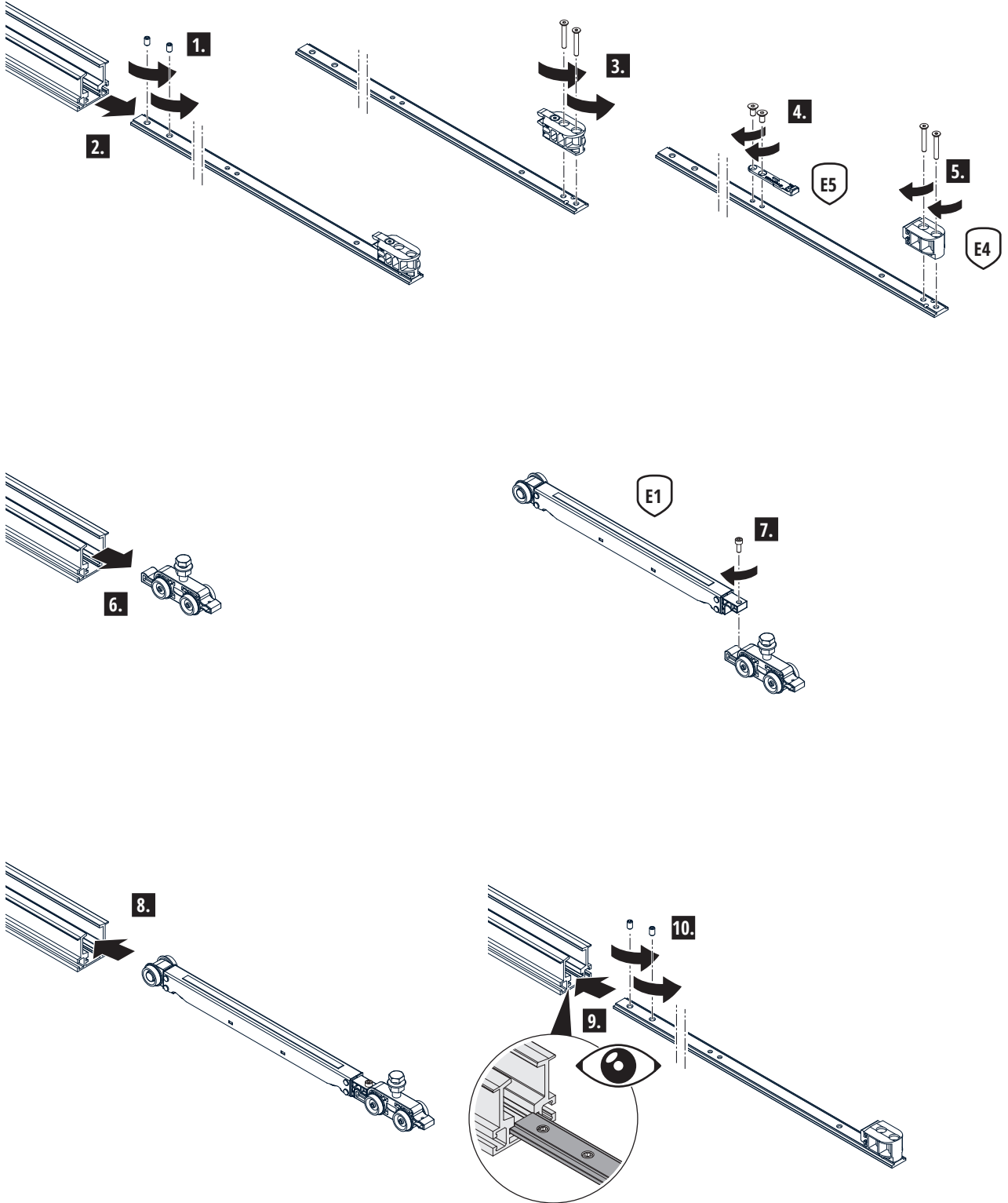


SOFTCLOSE INSTALLATION

1. Door stop side



2. Pocket side





STAINLESS

DOOR HARDWARE

www.StainlessDoorHardware.com

855-247-1168