

Fittings for sliding doors

Sliding door handle for bathroom and WC

- Aluminium
- Stainless steel
- Bronze

42 4255 ■

For single and double-leaf sliding doors

42 4255 09007

Set with sliding-door mortice lock series 71/WC (with compass bolt)

For use on double-leaf sliding doors, FSB 42 4255 09006 is also required (see page 556).

Suitable for standard door thicknesses of 38–42 mm; available up to door thickness 62 mm

Stainless steel forend and strike plate

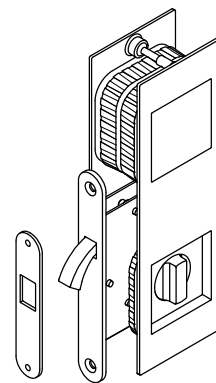
Scope of delivery:

- Set
- Sliding-door mortice lock Series 71/WC
- Strike plate

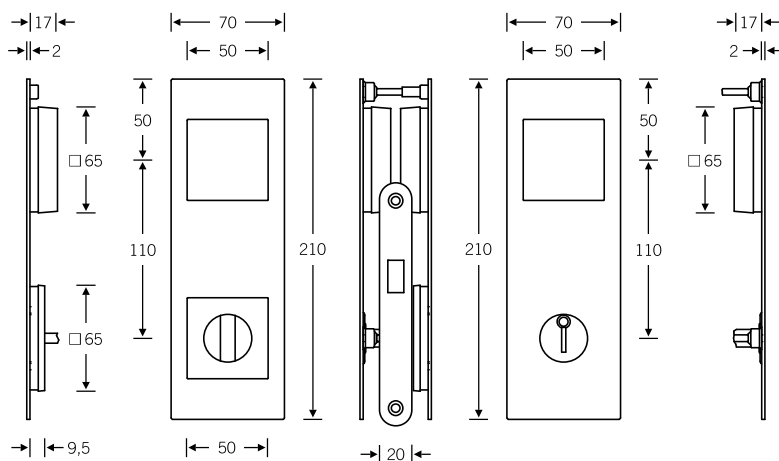


Outside

Inside



Pictured: installation example for single-leaf sliding door



7a



STAINLESS

Buy Online At www.StainlessDoorHardware.com

Note: CNC machining is required for routing recesses; CNC routing details can be found at www.fsb.de/cnc

Fittings for sliding doors

Sliding door handle for bathroom and WC

- Aluminium
- Stainless steel
- Bronze

42 4255 ■

For single and double-leaf sliding doors

42 4255 09008

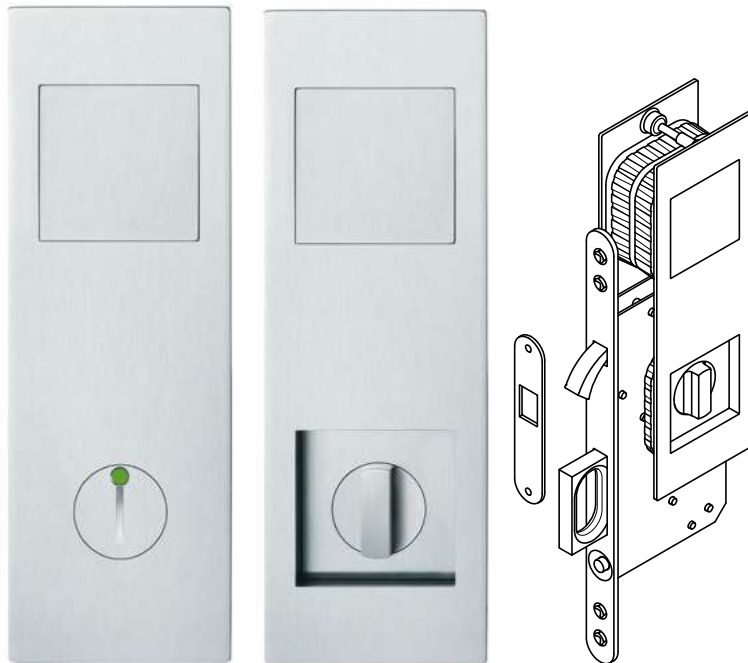
Set with sliding-door mortice lock series 72/WC (with compass bolt and spring pull)

For use on double-leaf sliding doors, FSB 42 4255 09006 is also required (see page 556).

Suitable for standard door thicknesses of 38–42 mm; available up to door thickness 62 mm
Stainless steel forend and strike plate

Scope of delivery:

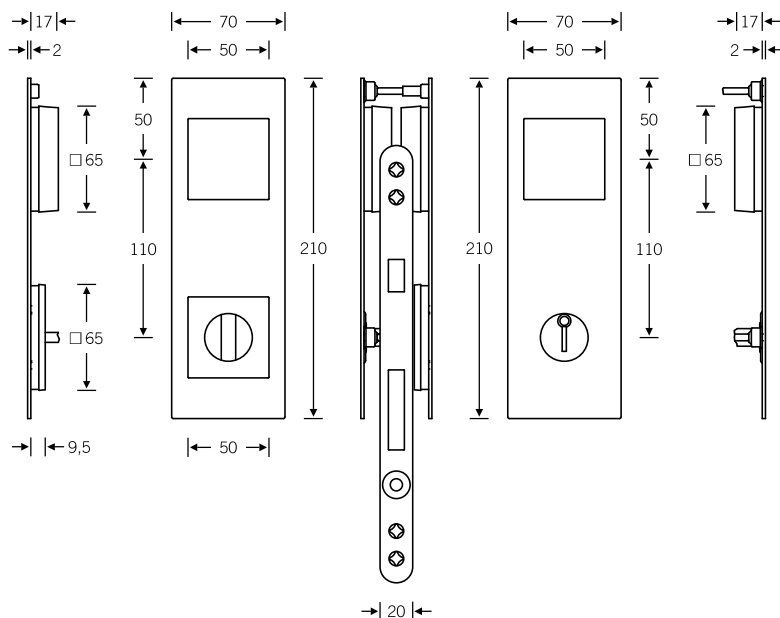
- Set
- Sliding-door mortice lock Series 72/WC
- Strike plate



Outside

Inside

Pictured: installation example for single-leaf sliding door



Note: CNC machining is required for routing recesses; CNC routing details can be found at www.fsb.de/cnc

Fittings for sliding doors

Sliding door handle with warded lock (WL) keyway

- Aluminium
- Stainless steel
- Bronze

42 4255 ■

For single-leaf sliding doors

42 4255 09002
Set with sliding-door mortice lock series 71/WL

42 4255 09003
Set with sliding-door mortice lock series 72/WL

Suitable for door thicknesses of 42 – 44 mm
Stainless steel forend

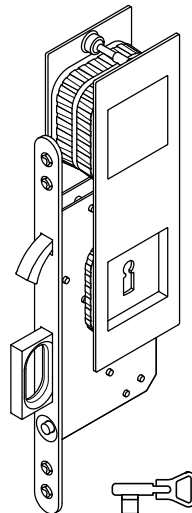
Scope of delivery:

- Set
- Sliding-door mortice lock series 71/WL or 72/WL
- Strike plate
- Folding key

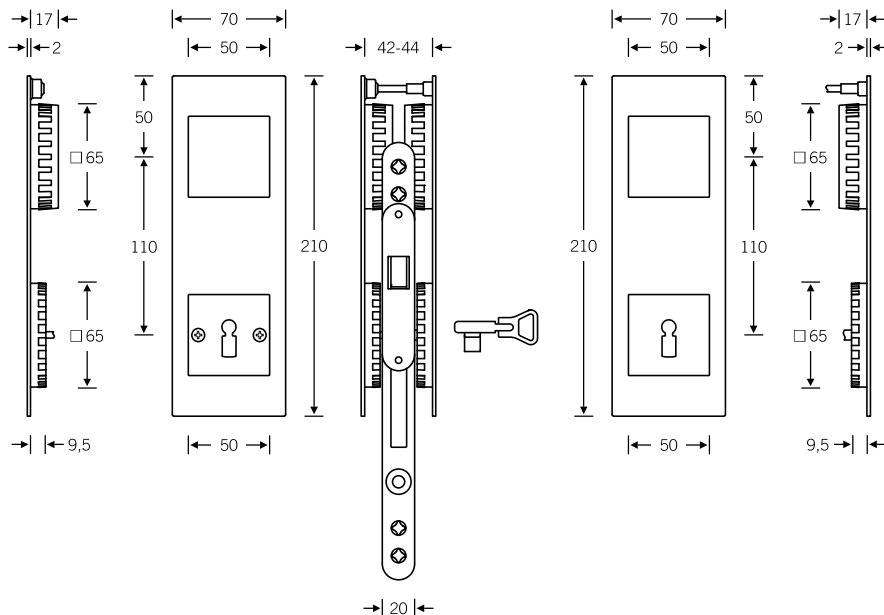


Outside

Inside



42 4255
Key



Note: CNC machining is required for routing recesses; CNC routing details can be found at www.fsb.de/cnc

Buy Online At
www.StainlessDoorHardware.com