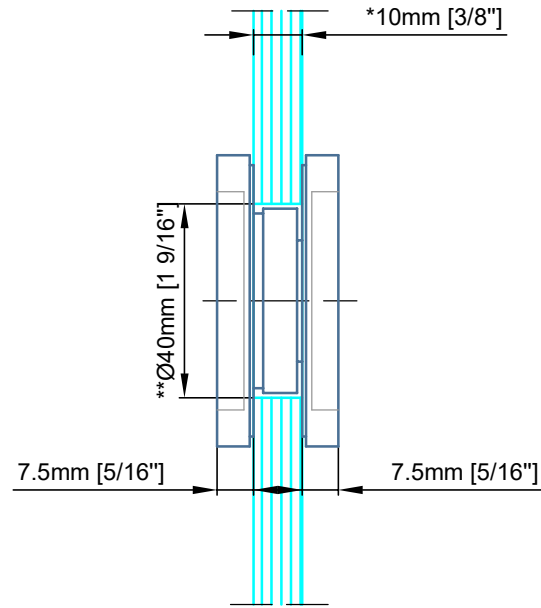
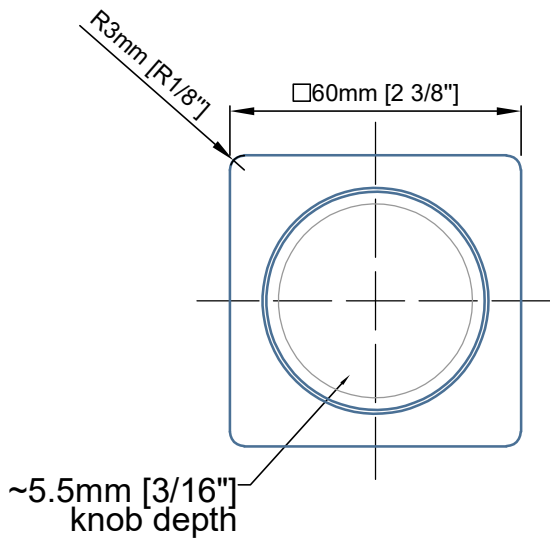
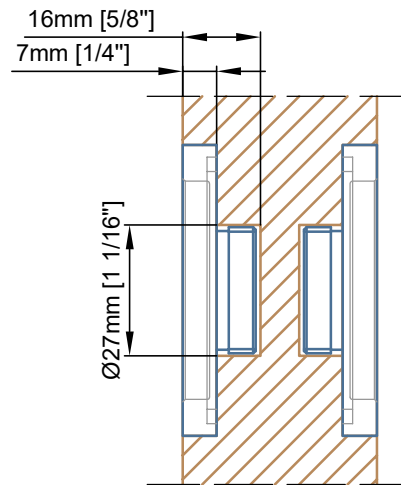
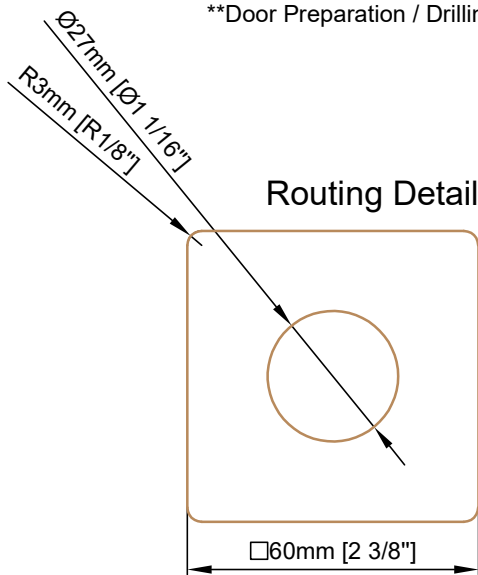


Glass to be tempered

*Available for:
8mm [5/16"]
10mm [3/8"]
12.7mm [1/2"] glass thickness



**Door Preparation / Drilling



GR.660 cup pull *(for wood or glass doors)*



STAINLESS

DOOR HARDWARE