

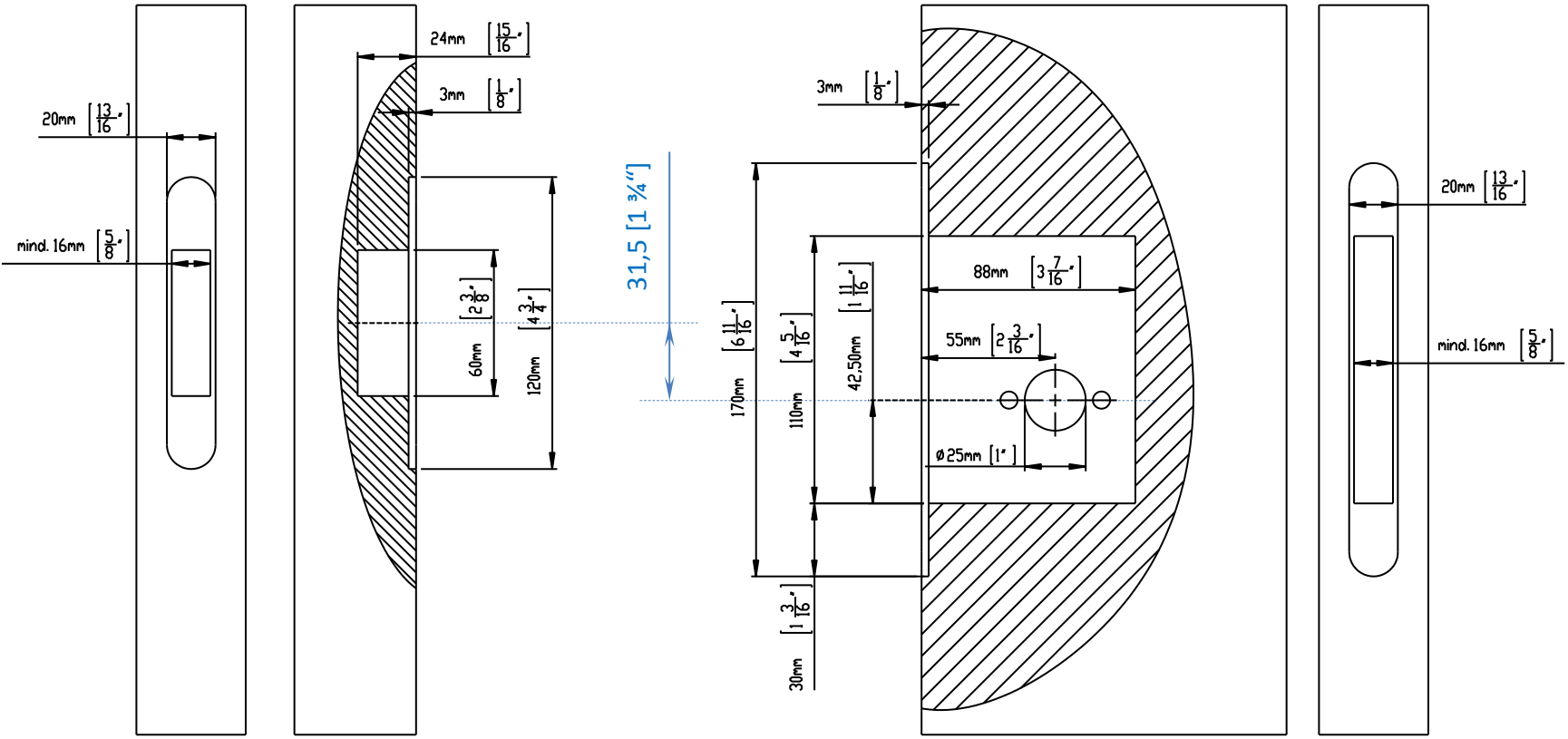
Installation Instructions for KARCHER DESIGN TEPL_LA

For using the magnetic spring lock S8 MS 0S, door and frame have to be milled according to the pictures as shown below.

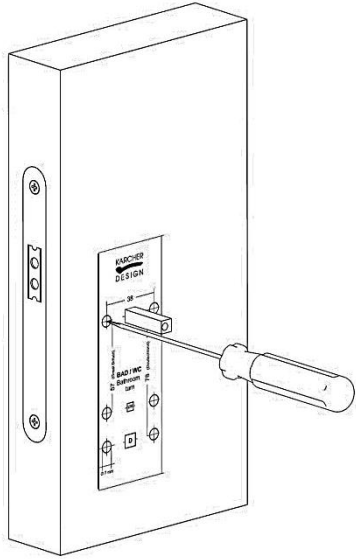
Attention: This product was designed by using metric units. To avoid any deviations, the milling machine has to be set to the metric system. The drawings below are not drawn to scale and may not be used as templates.

milling picture: door frame

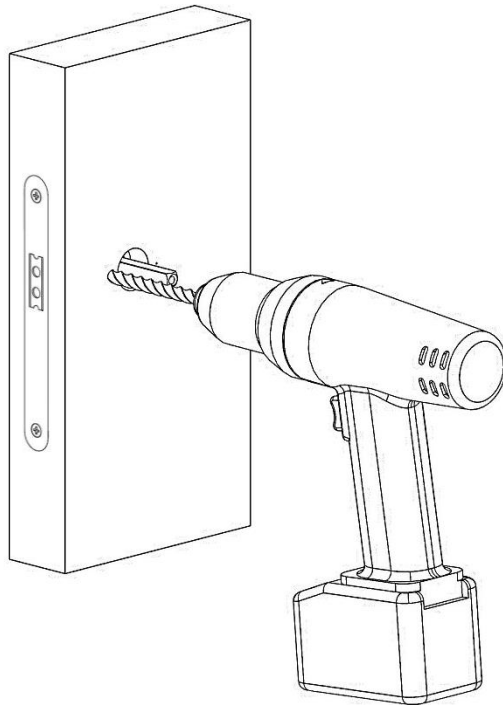
milling picture: door



Drilling instruction for flush rose EZ180

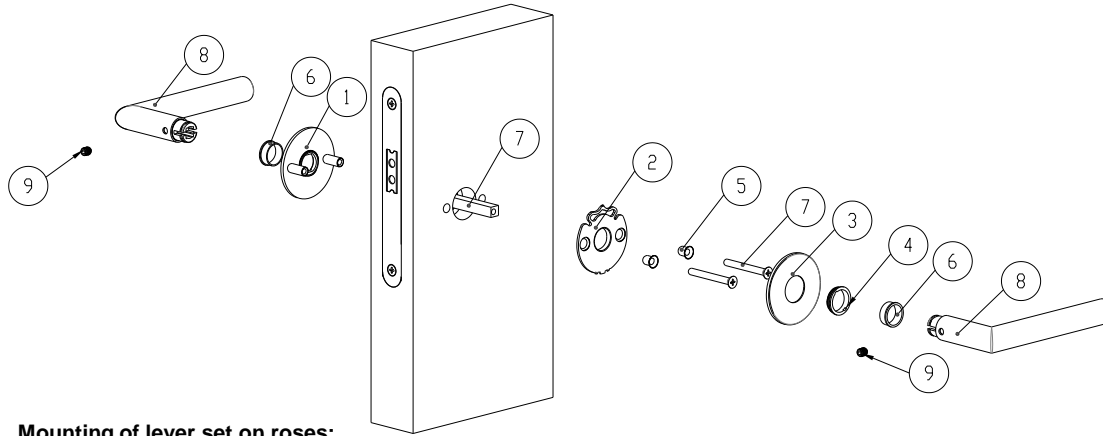


1. Slide the spindle through the lever slot and place the drilling template on the spindle.
2. Use a piercer on both sides of the door leaf to create marks for the drill holes for the roses.



3. Remove the template. Use a 8 mm (5/16") drill on the marked places and on both sides of the door leaf. Drill until you reach the lock case.

Assembly instruction for Plan Design rose



Mounting of lever set on roses:

1. Put the lever rose (1) onto the outer side of the door into the drilled holes of the door.
2. Attach the mounting plate (2), the screw sleeves (5) and the enclosed M5 screw (7) to the opposite side. Now connect all parts with the outside rose.
3. Position the cover rose (3) onto the lower side of the mounting plate (2). Press against the mounting plate in an upward manner, in order to get the cover rose snap into place with an audible "click". Please make sure, that the recess of the cover rose is pointing downwards.
4. Then screw in and tighten the retaining ring (4) for the lever. Use the enclosed metal disc.
5. Insert the plastic guidance (6) into the roses (on both sides of the door)
6. Slide the spindle (7) through the lever slot and center. Please note that the eccentric drill hole of the spindle is oriented in a way that the grub screw (9) of the lever handle is able to break in at the thinnest part.
7. Put the lever handles (8) onto the rose und tighten the grub screw (9) so that the tip can break into the spindle (7).

Test for functionality.

Limited Warranty

Karcher Design warrants to the original purchaser and first consumer owner that its products shall be free from defects in material or workmanship for 2 years after purchase.

Subject to the conditions stated below, Karcher Design shall repair or replace (at our sole discretion) any defective product at no further charge.

This warranty is valid only for the original purchaser and first consumer owner and is not transferable.

This warranty *only* applies to products purchased directly from an authorized dealer of Karcher Design products. Our [website](#) contains a list of authorized dealers. You may be asked for proof of purchase, so please retain your receipt.

To obtain warranty service, please contact an authorized reseller dealer directly. Do not contact Karcher Design directly with warranty questions.

This warranty does not apply to ordinary wear and tear or to damage caused by conditions beyond Karcher Design's control, including but not limited to accidents, lack of reasonable care, weather conditions, improper installation or maintenance, alteration, or abuse. **In particular, this warranty does not apply to products that are not intended to be used outdoors (including products made out of wood, leather, carbon, glass, laminate, and satin nickel) that are in fact used outdoors.**

THE REMEDIES DESCRIBED ABOVE ARE YOUR SOLE AND EXCLUSIVE REMEDIES, AND CONSTITUTE KARCHER DESIGN'S ENTIRE LIABILITY FOR ANY BREACH OF THIS LIMITED WARRANTY. KARCHER DESIGN EXCLUDES AND EXPRESSLY DISCLAIMS LIABILITY FOR ANY CONSEQUENTIAL, INDIRECT, INCIDENTAL OR SPECIAL DAMAGES OF ANY NATURE ARISING OUT OF THE SALE, INSTALLATION, MAINTENANCE, USE OR FAILURE OF ANY KARCHER DESIGN PRODUCT, INCLUDING BUT NOT LIMITED TO LOSS OF PROFITS, PROPERTY DAMAGE, DAMAGES TO BUSINESS OR BUSINESS RELATIONS OR DAMAGES FOR LOSS OF OPERATION. IN ALL EVENTS KARCHER DESIGN'S LIABILITY WILL BE CAPPED AT THE PURCHASE PRICE PAID FOR THE PRODUCT.

Some states do not allow limitations on how long an implied warranty lasts, so the above limitation may not apply to you. Some states do not allow the exclusion or limitation of incidental or consequential damages, so the above limitation or exclusion may not apply to you. This warranty gives you specific legal rights, and you may also have other rights which vary from state to state.

No representative or employee of Karcher Design is authorized to make any modification or addition to this warranty.

Karcher Design NA, LLC
1024 Industry Dr.
Tukwila WA 98188
Office: 559-475-8274
Fax: 253-236-4469

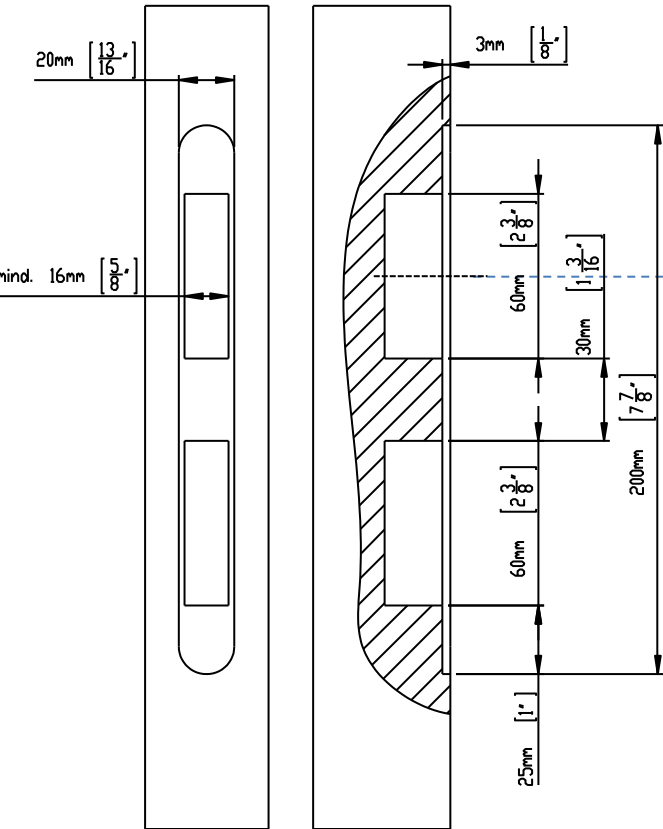
Installation Instructions for KARCHER DESIGN TEPL_PB

1 Prepare the door (1)

For using the magnetic spring lock S8 MS BAD, door and frame have to be milled according to the pictures as shown below.

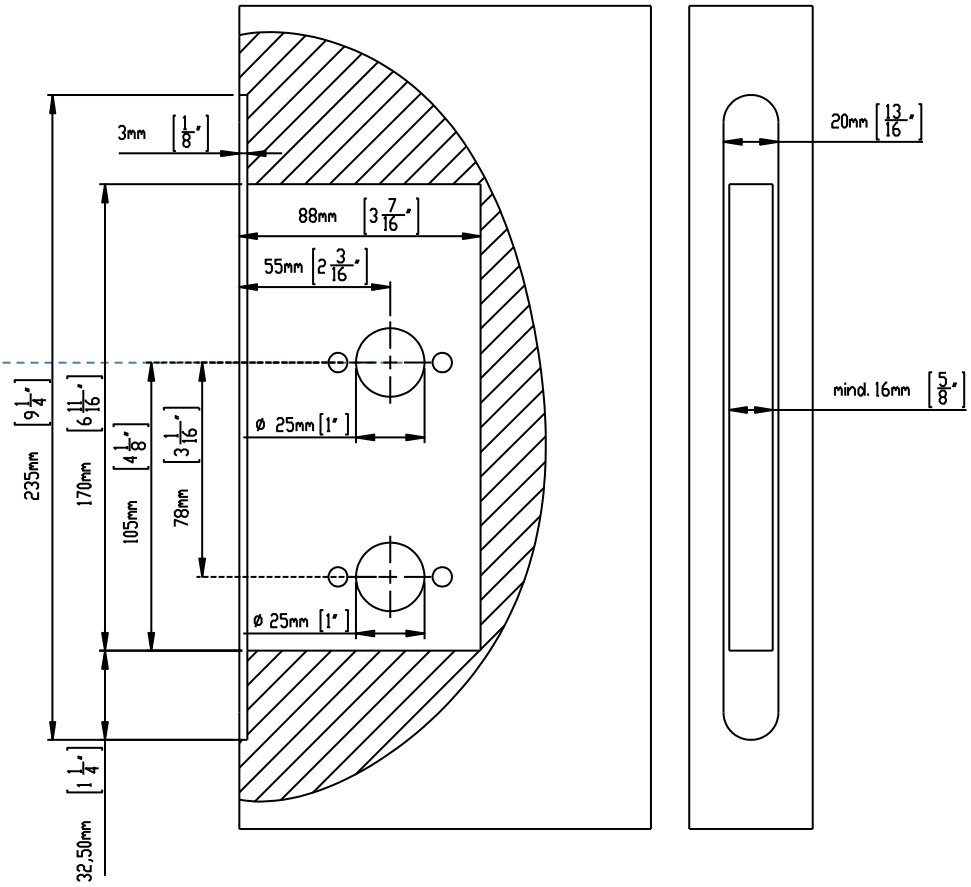
Attention: This product was designed by using metric units. To avoid any deviations, the milling machine has to be set to the metric system. The drawings below are not drawn to scale and may not be used as templates.

milling picture: door frame

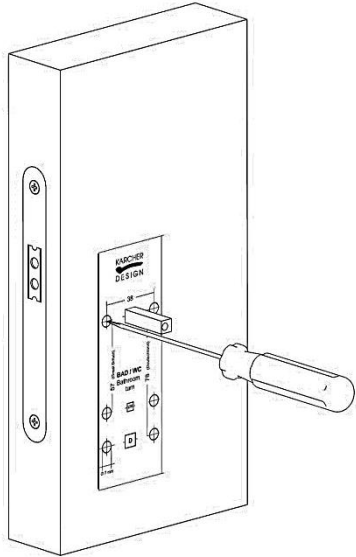


milling picture: door

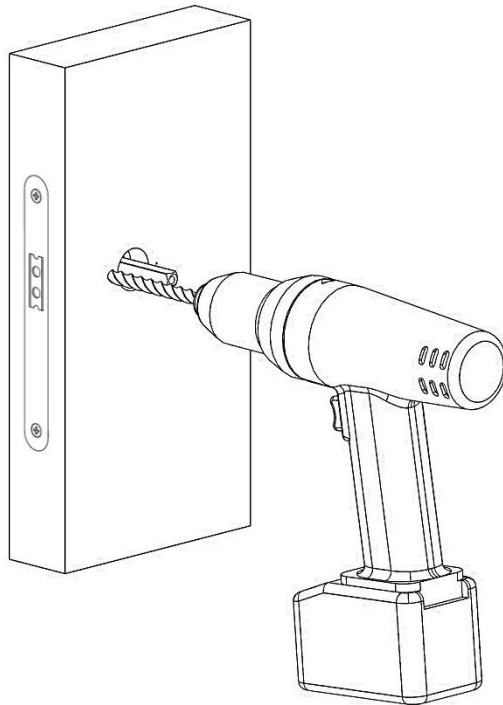
31,5



1 Prepare the door (2)

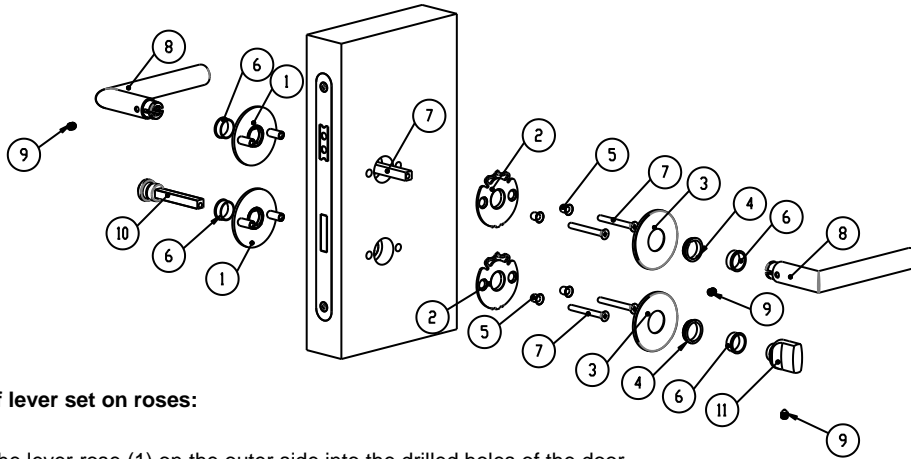


1. Slide the spindle through the lever slot and place the drilling template on the spindle.
2. Use a piercer on both sides of the door leaf to create marks for the drill holes for the roses.



3. Remove the template. Use a 8 mm (5/16") drill on the marked places and on both sides of the door leaf. Drill until you reach the lock case.

Assembly instruction for Plan Design rose



Mounting of lever set on roses:

- Put the lever rose (1) on the outer side into the drilled holes of the door.
- Attach the mounting plate (2), the screw sleeves (5) and the enclosed M5 screw (7) to the opposite side. Now connect all parts with the outside rose.
- Position the cover rose (3) onto the lower side of the mounting plate (2). Press against the mounting plate in an upward manner, in order to get the cover rose snap into place with an audible "click". Please make sure, that the recess of the cover rose is pointing downwards.
- Then screw in and tighten the retaining ring (4) for the lever. Use the enclosed metal disc.
- Insert the plastic guidance (6) into the roses (on both sides of the door).
- Slide the spindle (7) through the lever slot and center. Please note that the eccentric drill hole of the spindle is oriented in a way that the grub screw (9) of the lever handle is able to break in at the thinnest part.
- Put the lever handles (8) onto the rose und tighten the grub screw (9) so that the tip can break into the spindle (7).

Mounting of the turn/release:

Please repeat steps 1 to 5. Continue with step 8:

- On the exterior side of the door, put the outer turn/release (10) (with the eccentric hole of the spindle facing downwards) through the lower lever slot. On the interior side of the door mount the thumb turn (11) onto the rose and fix it with the grub screw (9).

Test for functionality.

Limited Warranty

Karcher Design warrants to the original purchaser and first consumer owner that its products shall be free from defects in material or workmanship for 2 years after purchase.

Subject to the conditions stated below, Karcher Design shall repair or replace (at our sole discretion) any defective product at no further charge.

This warranty is valid only for the original purchaser and first consumer owner and is not transferable.

This warranty *only* applies to products purchased directly from an authorized dealer of Karcher Design products. Our [website](#) contains a list of authorized dealers. You may be asked for proof of purchase, so please retain your receipt.

To obtain warranty service, please contact an authorized reseller dealer directly. Do not contact Karcher Design directly with warranty questions.

This warranty does not apply to ordinary wear and tear or to damage caused by conditions beyond Karcher Design's control, including but not limited to accidents, lack of reasonable care, weather conditions, improper installation or maintenance, alteration, or abuse. **In particular, this warranty does not apply to products that are not intended to be used outdoors (including products made out of wood, leather, carbon, glass, laminate, and satin nickel) that are in fact used outdoors.**

THE REMEDIES DESCRIBED ABOVE ARE YOUR SOLE AND EXCLUSIVE REMEDIES, AND CONSTITUTE KARCHER DESIGN'S ENTIRE LIABILITY FOR ANY BREACH OF THIS LIMITED WARRANTY. KARCHER DESIGN EXCLUDES AND EXPRESSLY DISCLAIMS LIABILITY FOR ANY CONSEQUENTIAL, INDIRECT, INCIDENTAL OR SPECIAL DAMAGES OF ANY NATURE ARISING OUT OF THE SALE, INSTALLATION, MAINTENANCE, USE OR FAILURE OF ANY KARCHER DESIGN PRODUCT, INCLUDING BUT NOT LIMITED TO LOSS OF PROFITS, PROPERTY DAMAGE, DAMAGES TO BUSINESS OR BUSINESS RELATIONS OR DAMAGES FOR LOSS OF OPERATION. IN ALL EVENTS KARCHER DESIGN'S LIABILITY WILL BE CAPPED AT THE PURCHASE PRICE PAID FOR THE PRODUCT.

Some states do not allow limitations on how long an implied warranty lasts, so the above limitation may not apply to you. Some states do not allow the exclusion or limitation of incidental or consequential damages, so the above limitation or exclusion may not apply to you. This warranty gives you specific legal rights, and you may also have other rights which vary from state to state.

No representative or employee of Karcher Design is authorized to make any modification or addition to this warranty.

Karcher Design NA, LLC
1024 Industry Dr.
Tukwila WA 98188
Office: 559-475-8274
Fax: 253-236-4469