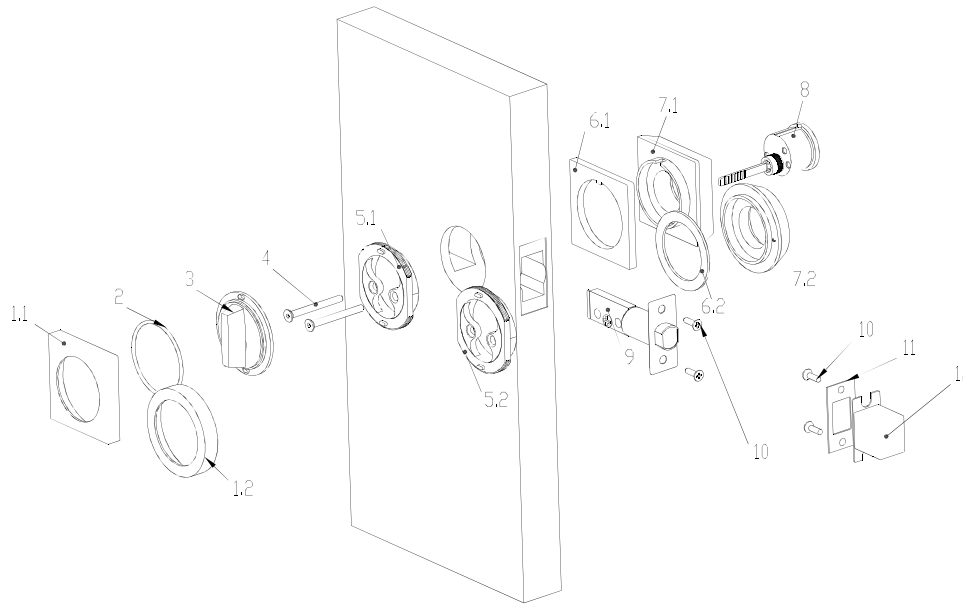


Installation Instructions for KARCHER DESIGN UEDB and UEDQ

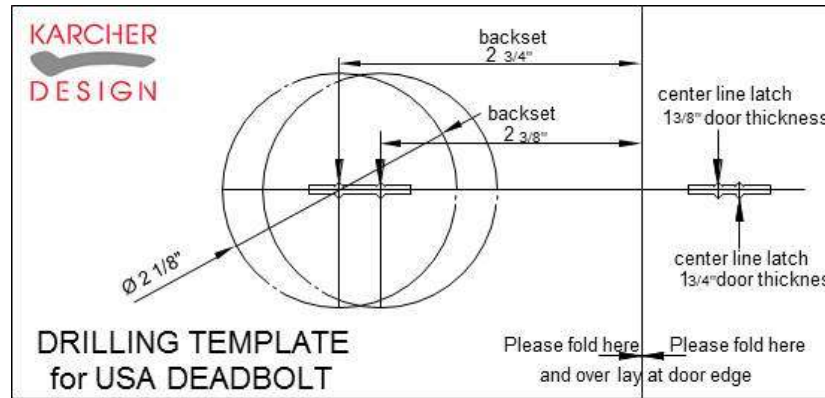
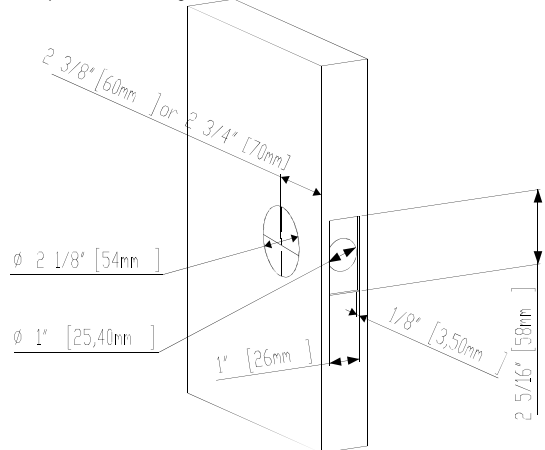


Content

1.1 trim ring (Square version)	1.2 trim ring (round version)	2 rubber ring (square version)
3 center plate with thumb turn	4 machine screws	5.1 sub rose (square version)
5.2 sub rose (round version)	6.1 distance ring (square version)	6.2 distance ring (round version)
7.1 cylinder collar (square version)	7.2 cylinder collar (round version)	8 cylinder
9 deadbolt latch	10 wood screws	11 face plate
12 dust box		

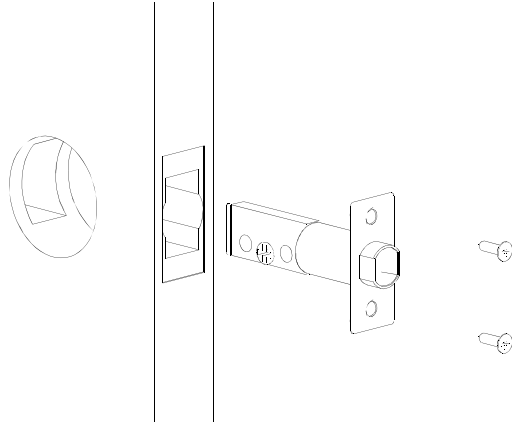
1 Prepare the door

Draw a level 3" (76mm) center line on both sides of the door. The standard height for a handle set is 36" (914mm) from the finished floor. Please adjust the deadbolt to your preferred height. Fold the template over the edge of the door, mark site 2 3/8" (60mm) or 2 3/4" (70mm) to determine the center-point of holes. Bore a 2 1/8" (54mm) hole half way through the door on each side to prevent splintering of the door. Drill a 1" (26mm) hole on lock edge of the door where the center is marked. Cut out a 2 5/16" x 1" x 1/8" (58x26x3mm) base.



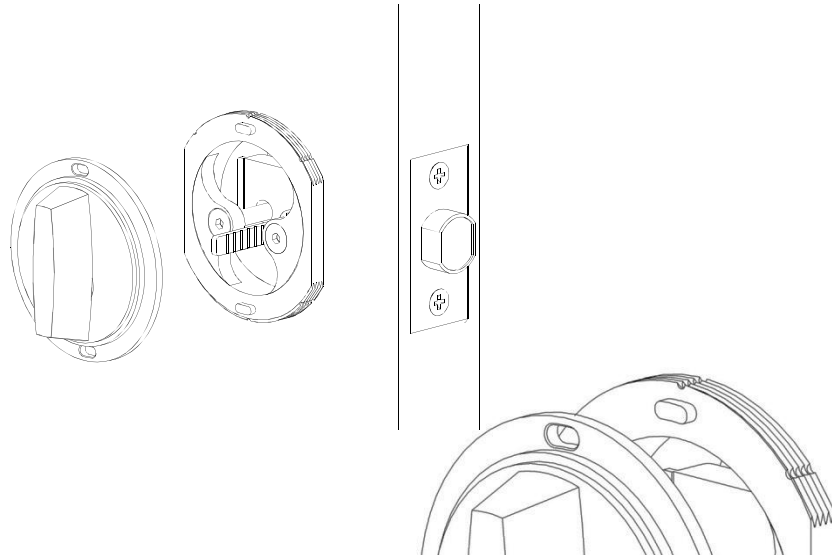
2 Install of the deadbolt latch

The deadbolt latch can be adjusted to 2 3/8" (60mm) and 2 3/4" (70mm). Install latch (9) using wood screws provided (10). Please assure that the screw holes of the latch are at the bottom part of the latch.



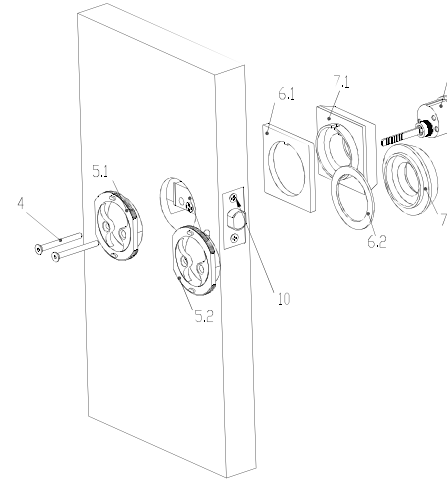
4 Attaching

Place the centerplate with the thumbturn (1) on tailpiece of the cylinder so that the lugs of the subrose (4) fit to the corresponding slots of the center plate.



3 Fixture of the cylinder (8)

Insert the cylinder (8) through the collar (7.1 or 7.2) in to the latch. Please assure that the cylinder tailpiece is inserted vertically. *Square version:* The cylinder collar and the distance ring have a twist protection. Please assure that the slots in the cylinder are matching the twist protection and the slots in the cylinder collar are matching the twist protection of the distance ring. Place the subrose (5.1 – for round version, 5.2 – four square version) on the door. Attach the two pieces by inserting the machine screws through the holes of the subrose and the holes of the deadbolt latch in to the threaded holes of the cylinder



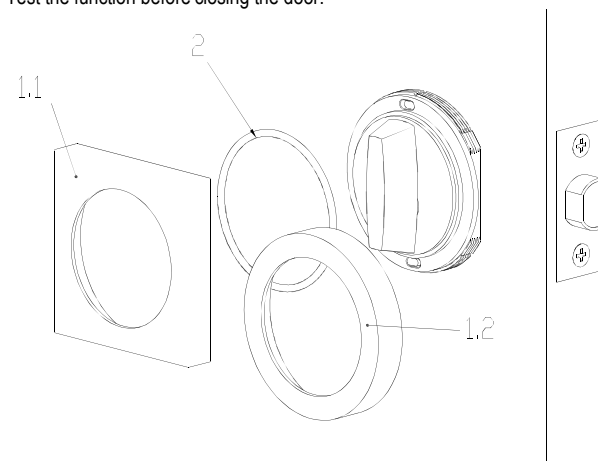
Choose cylinder screws for different door thickness:

Round Version		
Door thickness	Use the distance ring	Cylinder screws
1 3/8" (35mm)	Yes	2" (50mm)
1 3/4" (45mm)	No	2" (50mm)
2 1/8" (55mm)	No	2 3/8" (60mm)
2 1/2" (65mm)	No	2 9/16" (65mm)

Square version		
Door thickness	Use the distance ring	Cylinder screws
1 3/8" (35mm)	Yes	2" (50mm)
1 3/4" (45mm)	No	2" (50mm)
2 1/8" (55mm)	No	2 3/8" (60mm)
2 1/2" (65mm)	No	2 9/16" (65mm)

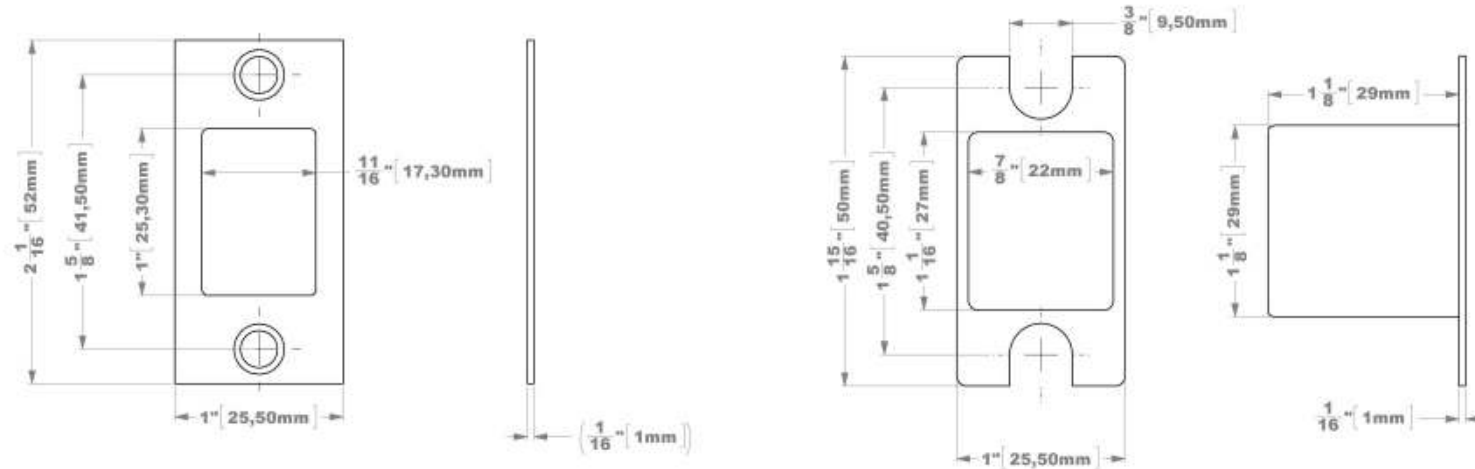
6 Threading on the trim ring

For square version: Assure that the rubber ring (2) is seated on the center plate. Turn the trim ring (1.1 or 1.2) gently until the springs in the trim ring (1.1 or 1.2) are locked in the grooves of the sub rose. You will hear a clicking sound. Tighten the ring but do not overtighten as this may scratch the door. *For round version:* Turn the trim ring (16) until it is fixed. Test the function before closing the door.



7 Install Strike plate

Mark the position of the latch tongue at the door frame for the location of the strike plate. Prepare the frame according to the measures below. Install dust cover (12) and strike plate (11) using supplied wood screws (10).



8 Limited Warranty

Karcher Design warrants to the original purchaser and first consumer owner that its products shall be free from defects in material or workmanship for 2 years after purchase.

Subject to the conditions stated below, Karcher Design shall repair or replace (at our sole discretion) any defective product at no further charge.

This warranty is valid only for the original purchaser and first consumer owner and is not transferable.

This warranty *only* applies to products purchased directly from an authorized dealer of Karcher Design products. Our [website](#) contains a list of authorized dealers. You may be asked for proof of purchase, so please retain your receipt.

To obtain warranty service, please contact an authorized reseller dealer directly. Do not contact Karcher Design directly with warranty questions.

This warranty does not apply to ordinary wear and tear or to damage caused by conditions beyond Karcher Design's control, including but not limited to accidents, lack of reasonable care, weather conditions, improper installation or maintenance, alteration, or abuse. In particular, this warranty does not apply to products that are not intended to be used outdoors (including products made out of wood, leather, carbon, glass, laminate, and satin nickel) that are in fact used outdoors.

THE REMEDIES DESCRIBED ABOVE ARE YOUR SOLE AND EXCLUSIVE REMEDIES, AND CONSTITUTE KARCHER DESIGN'S ENTIRE LIABILITY FOR ANY BREACH OF THIS LIMITED WARRANTY. KARCHER DESIGN EXCLUDES AND EXPRESSLY DISCLAIMS LIABILITY FOR ANY CONSEQUENTIAL, INDIRECT, INCIDENTAL OR SPECIAL DAMAGES OF ANY NATURE ARISING OUT OF THE SALE, INSTALLATION, MAINTENANCE, USE OR FAILURE OF ANY KARCHER DESIGN PRODUCT, INCLUDING BUT NOT LIMITED TO LOSS OF PROFITS, PROPERTY DAMAGE, DAMAGES TO BUSINESS OR BUSINESS RELATIONS OR DAMAGES FOR LOSS OF OPERATION. IN ALL EVENTS KARCHER DESIGN'S LIABILITY WILL BE CAPPED AT THE PURCHASE PRICE PAID FOR THE PRODUCT.

Some states do not allow limitations on how long an implied warranty lasts, so the above limitation may not apply to you. Some states do not allow the exclusion or limitation of incidental or consequential damages, so the above limitation or exclusion may not apply to you. This warranty gives you specific legal rights, and you may also have other rights which vary from state to state.

No representative or employee of Karcher Design is authorized to make any modification or addition to this warranty.

Karcher Design NA, LLC

1024 Industry Dr.
Tukwila WA 98188
Office: 559-475-8274
Fax: 253-236-4469