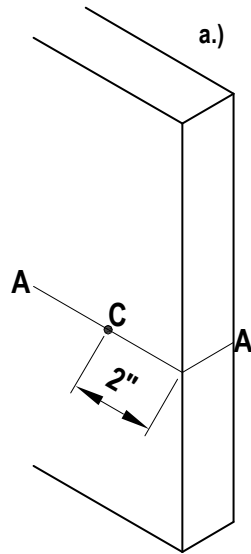
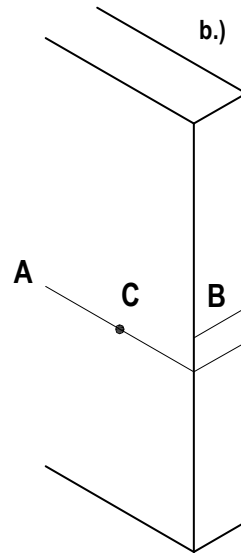


Installation Instructions for KARCHER pocket door privacy kit for 1 3/8" (35mm) – 1 3/4 (45mm) door thickness

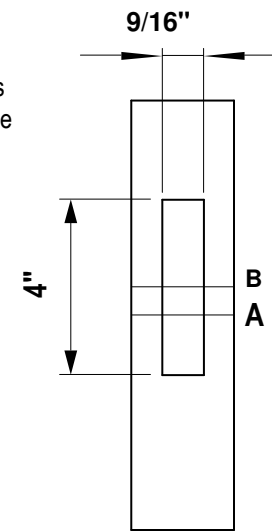
1. Door preparation



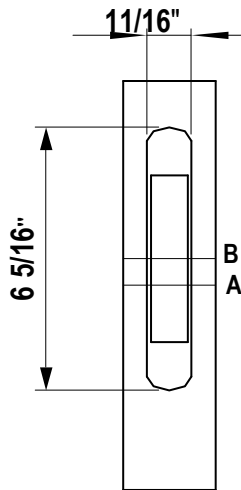
a.) Draw a level 3" (76mm) center line "A" on both sides of the door and on the edge of the door. The standard height for pocket door privacy kit is 36" (914mm) from finished floor. This centered line determines the position of the rose. Please mark the center of the rose with a distance of 2" from the edge of the door. Name this point C



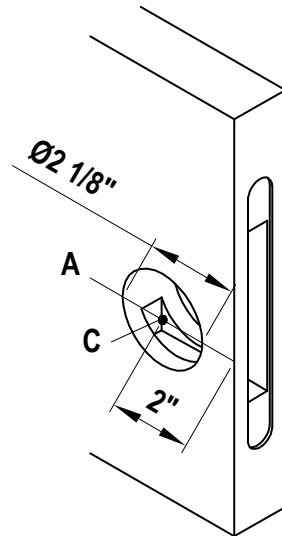
b.) Draw a second center line "B" on the edge of the door which is 13/16" (20mm) above center line "A"



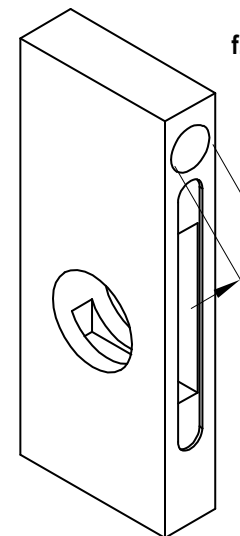
c.) Cut out a rectangular shape 4" x 9/16" (102mm x 14mm) at the edge of door with a depth of 3" (75mm). The center of the rectangular shape is centerline "B"



d.) For the foreend plate cut out a 6 5/16" x 11/16" x 1/8" (161mm x 17mm x 2mm) base. The center of the rectangular shape is centerline "B". The foreend plate has rounded corners.

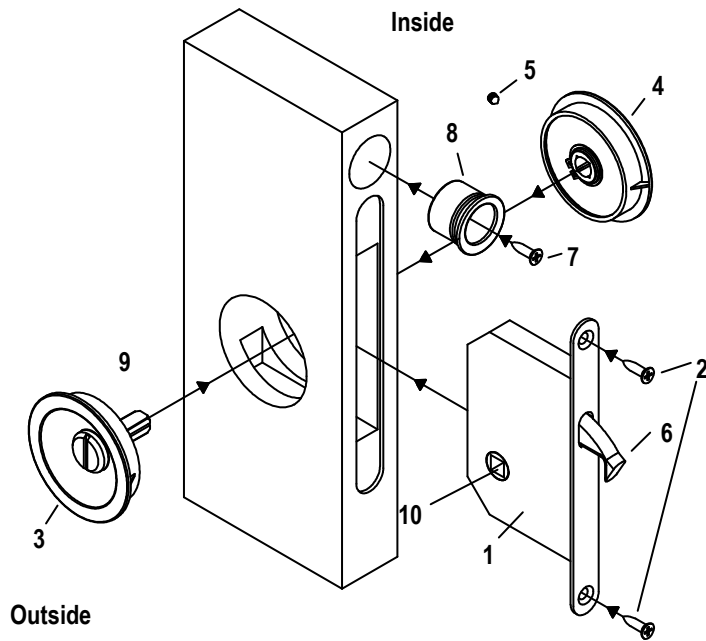


e.) Bore a 2 1/8" (54mm) hole in the door face half way through the door on each side to prevent splintering of door. The center of the hole „C" was determined under point a.)

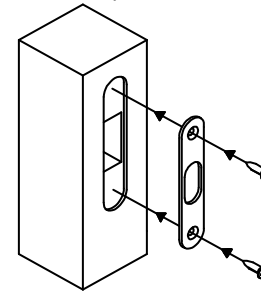
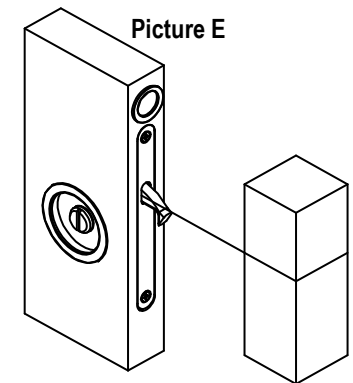
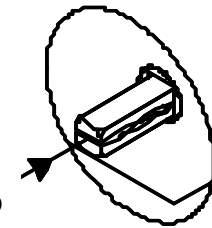


f.) Bore at the edge of the door a 1" deep hole with a 1" diameter for the finger pull. The position of the finger pull can be chosen by the customer but is recommended 2" (51mm) above the cut out

2. Installation Instructions



- Install the lock (1) using wood screws provided (2). The lock follower for the square spindle (8) has to be on the lower side of the lock
- Insert the outside rose (3) which is connected to the spindle (8) through the lockfollower (10) in the way that the point of the grub screw will meet the oval slot in the spindle.
- Insert the inside rose (4) to the spindle. Fix the outside rose with the grub screw
- Insert the finger pull and fix it with the wood screw (7)
- Roses and finger pull can be fixed additionally with silicon glue if necessary.
- Slide pocket door closed hitting with bolt (6) the jamb to mark location. (Pic. E.) Cut out a $2 \frac{1}{8}'' \times 9 \frac{1}{16}'' \times 1''$. (54mm x 14mm x 25mm)
- Place the strike plate in this way that the latch bolt while closed is hold by the strike plate. Cut out a $3 \frac{9}{16}'' \times 11 \frac{1}{16}'' \times \frac{1}{8}''$ (161mm x 17mm x 2mm) base. The strike plate has round corners. Secure with the wood screws provided



Limited Warranty

Karcher GmbH ("Karcher") warrants to the original retail purchaser ("Purchaser"), but to no other person, that Karcher's products ("Products") shall be free from defects in material or workmanship for a period of one (1) year following the purchase of the Products from an authorized dealer. Karcher's sole obligation under this limited warranty shall be, at the option of Karcher, to repair or replace Products which Karcher determines, in its sole discretion, to be defective and which are returned to Karcher by an authorized dealer within one (1) year from the date of purchase of the Products.

Karcher does not assume any warranty responsibility for damage to the Products due to conditions over which Karcher has no control, including but not limited to ordinary wear and tear, improper installation or maintenance, alteration, impact, accident, misuse, tampering or abuse. Karcher assumes no responsibility for tarnishing, discoloration, excessive wear or deterioration of the surface finishes due to exposure to weather conditions over which Karcher has no control. Karcher assumes no responsibility for any defects or damage caused by the Purchaser or any third parties.

KARCHER MAKES NO OTHER WARRANTIES OF ANY KIND OTHER THAN THOSE CONTAINED HEREIN AND HEREBY DISCLAIMS ALL OTHER WARRANTIES, EXPRESS OR IMPLIED, WITH RESPECT TO THE PRODUCTS INCLUDING WITHOUT LIMITATION ANY WARRANTIES OF MERCHANTABILITY OR FITNESS FOR A PARTICULAR PURPOSE. THIS LIMITED WARRANTY IS IN LIEU OF ALL OTHER WARRANTIES, EXPRESS OR IMPLIED, AND IS LIMITED TO THE DURATION OF THE LIMITED WARRANTY PERIOD. IN NO EVENT SHALL KARCHER BE LIABLE FOR ANY SPECIAL, DIRECT INDIRECT, INCIDENTAL, OR CONSEQUENTIAL DAMAGES, INCLUDING, BUT NOT LIMITED TO LOSS OF PROFITS, PROPERTY DAMAGE, DAMAGES TO BUSINESS OR BUSINESS RELATIONS, OR DAMAGES FOR LOSS OF OPERATION. THIS WARRANTY REPRESENTS KARCHER'S SOLE LIABILITY TO THE PURCHASER FOR CLAIMS RELATED TO THE PRODUCTS WHETHER THE CLAIMS ARE BASED UPON CONTRACT, TORT, OR ANY OTHER LEGAL THEORY.

Karcher's total cumulative liability under this limited warranty, if any, is limited to the dollar amount of the Purchaser's original payment for the Products.

The invalidity or unenforceability of any provision of this limited warranty shall not affect the validity and enforceability of any remaining provisions, and this limited warranty and disclaimer of liability shall be construed in all respects as if any invalid or unenforceable provision is omitted.

Some states do not allow limitation on how long an implied warranty lasts or the exclusion or limitation of incidental or consequential damages so the above limitations or exclusions may not apply to you, the buyer. This warranty gives you specific legal rights and may also have other rights which vary from state to state.

KARCHER

DESIGN

Karcher GmbH
 Raiffeisenstraße 32
 D-74906 Bad Rappenau
 Germany
 Tel. (+49)07264/916426
 Fax (+49)07264/916410
 export@Karcher-design.de
 www.Karcher-Design.de