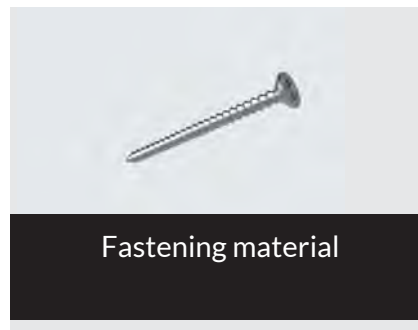


ALU 100 NEO PRO Wood



Highly flexible sliding door hardware for wooden doors, sliding shutter and room dividers.
The new generation of sliding door hardware, now available with fastening material.



Technical Notes

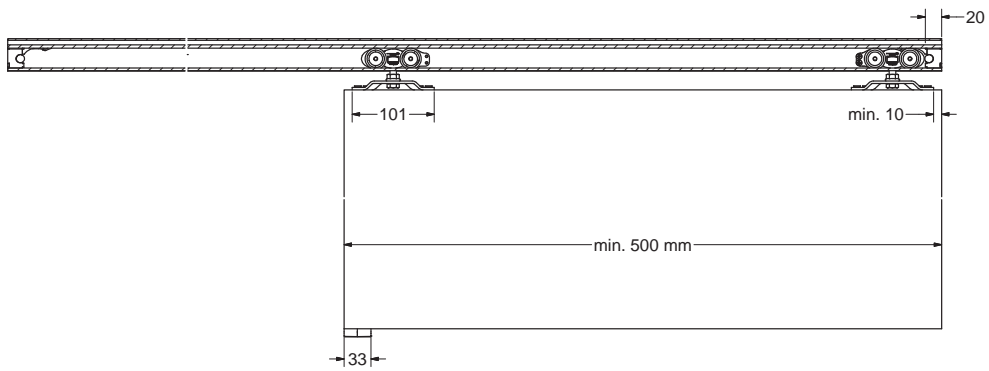
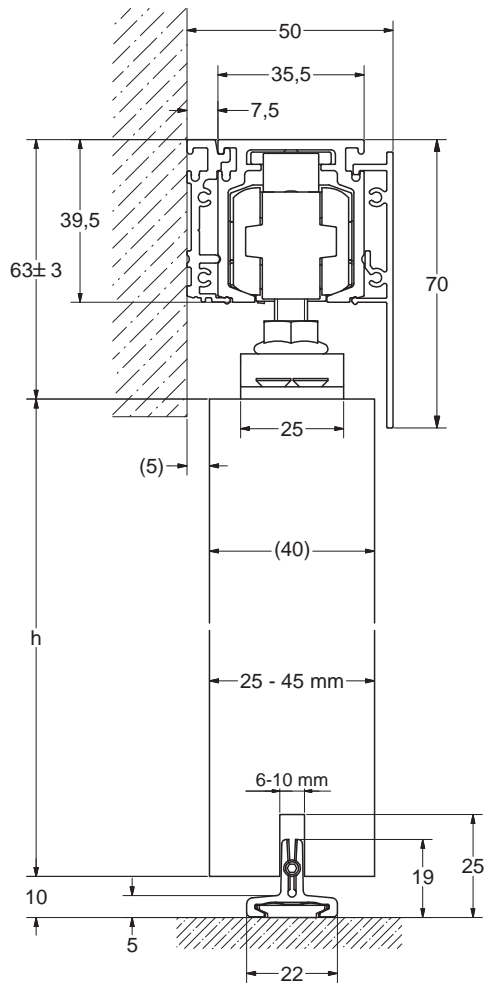
Maximum Door Weight	100 kg
Height	63 ± 3 mm
Door Leaf Thickness	25 - 45 mm
Minimum Door Width	500 mm

Classification according to DIN EN 1527

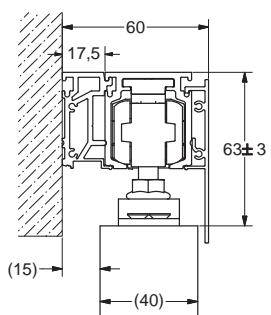
Use Category	Durability	Door Weight	Fire Resistance	Safety	Corrosion Resistance	Security	Door Type	Initial Friction
-	6	2	0	-	0	-	1	3



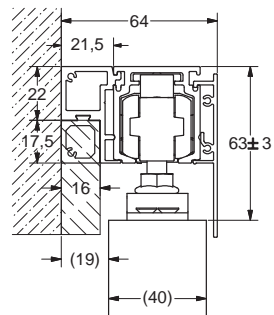
W254 + T355 + B256



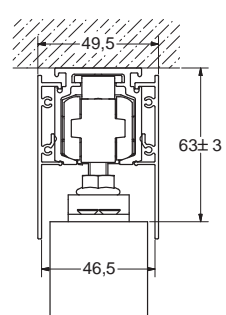
W255 + T355 + B256



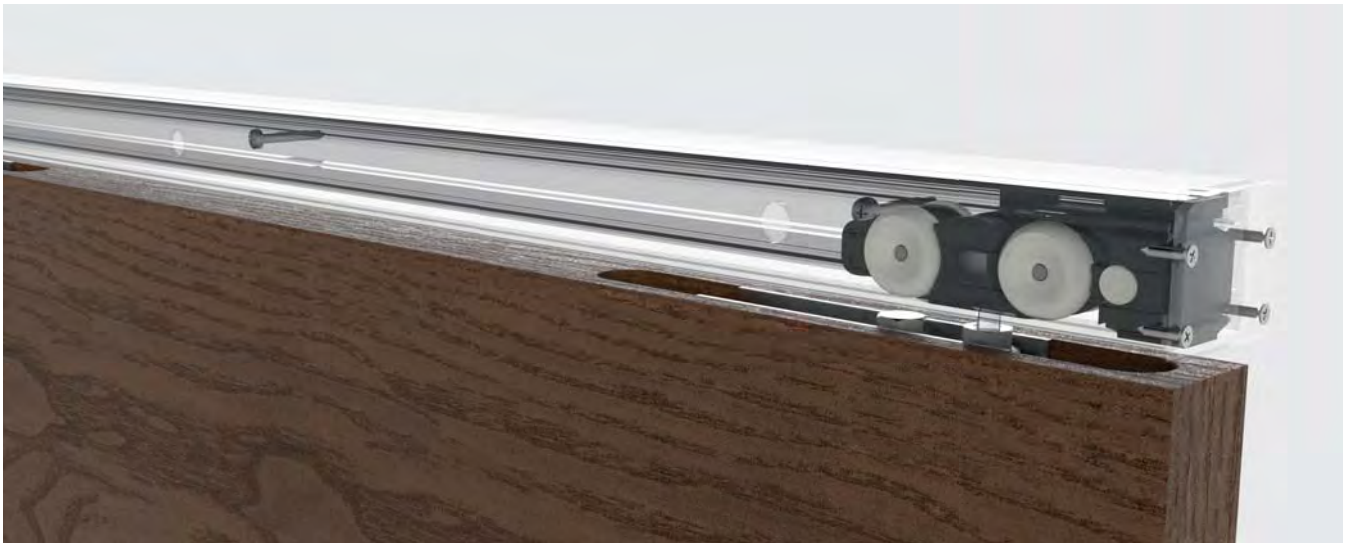
W215 + T355 + B256



B256 + T355 + B256



ALU 100 NEO PRO MX



Quality hardware with minimal height for wooden doors.
Now with anodized components and integrated height adjustment for easier assembly.



Hanger
RX100A, 2 pieces



MX Support flange
202083A-45NEO, 2 pieces



Adjustable stopper
SX 100H, 2 pieces



Floor guide
T-Guide Holz



Fastening material



Tool

Technical Notes

Maximum Door Weight	100 kg
Height	47 ± 2 mm
Door Leaf Thickness	30 - 45 mm
Minimum Door Width	500 mm

Classification according to DIN EN 1527

Use Category	Durability	Door Weight	Fire Resistance	Safety	Corrosion Resistance	Security	Door Type	Initial Friction
-	6	2	0	-	0	-	1	3

