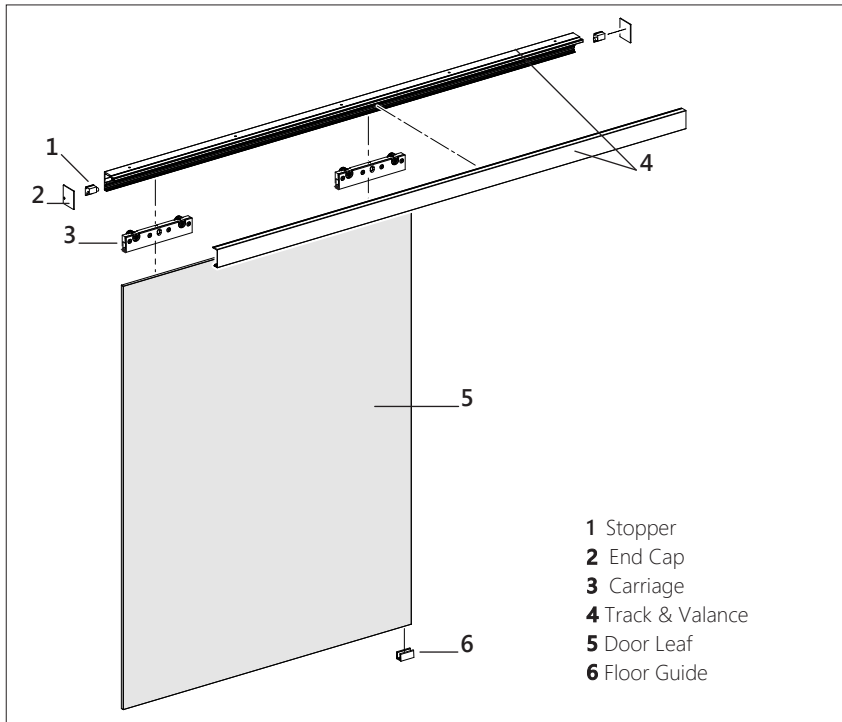


Product Description

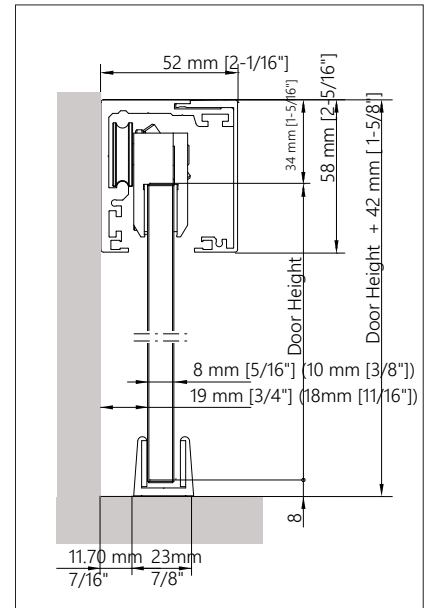
BARTELS Box Track

Sliding Set for Glass Doors

All parts at a glance

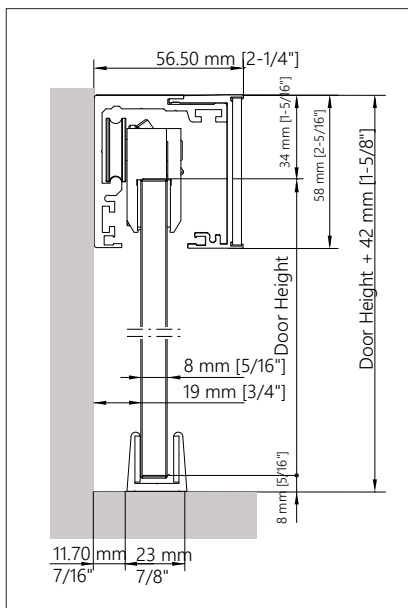


Vertical section

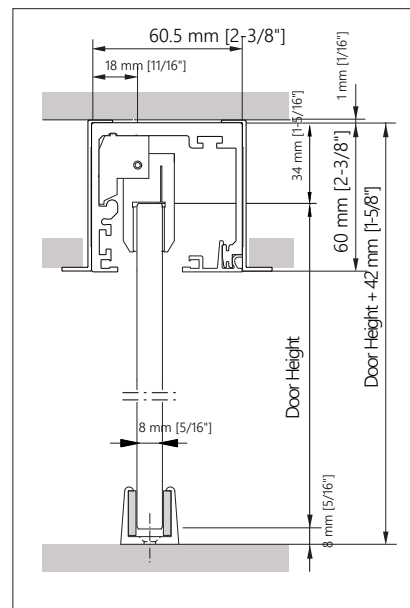


• **Door Height** = Floor to top of track – 42 mm [1-5/8"]

Vertical section with decorative panel



Vertical section with integrated ceiling rail

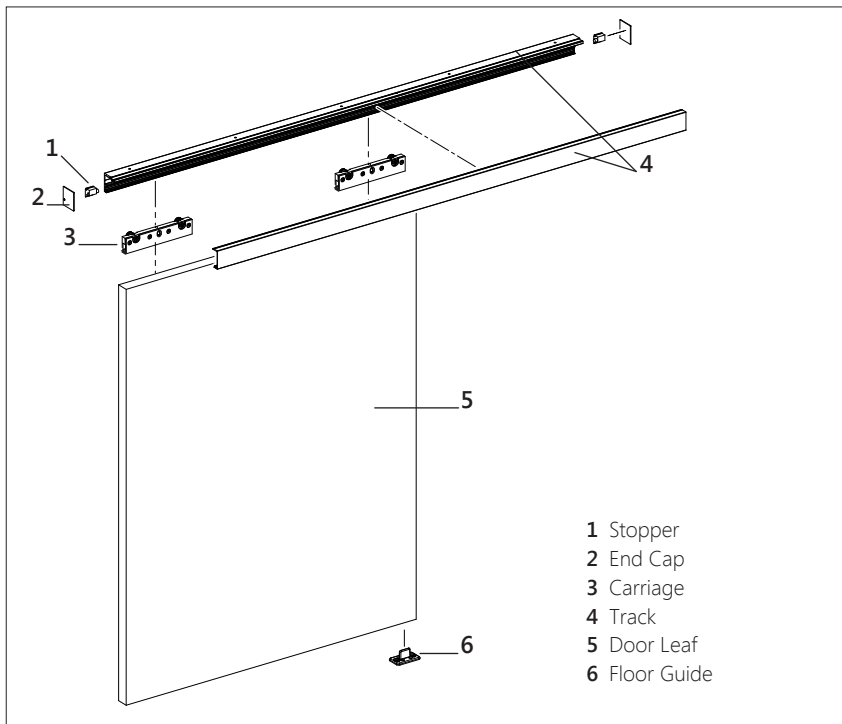


Product Description

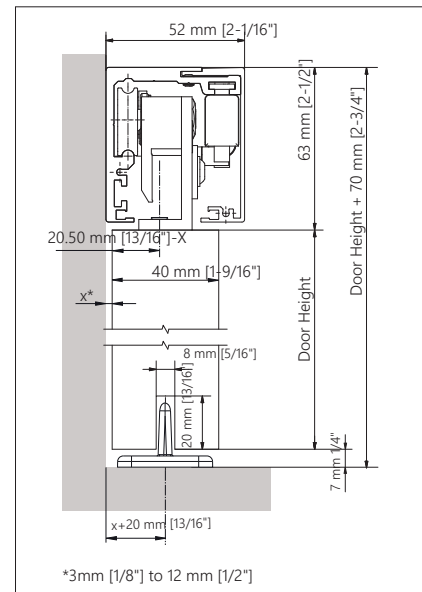
BARTELS Box Track

Sliding Set for Wood Doors

All parts at a glance

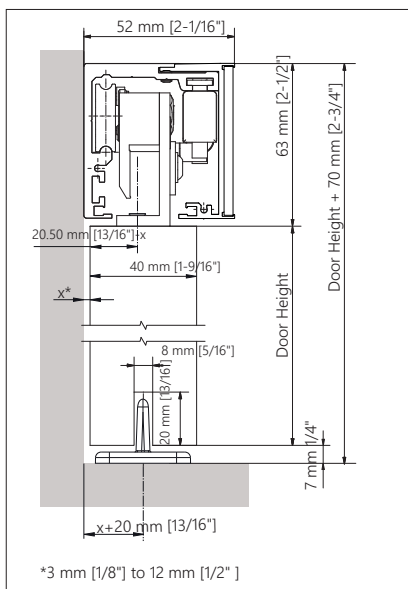


Vertical section



- **Door Height** = Floor to top of track – 70 mm [2-3/4"]
- **Groove for floor guide** = 8 mm [5/16"] × 20 mm [13/16"]

Vertical section with decorative panel



Vertical section with integrated ceiling rail

