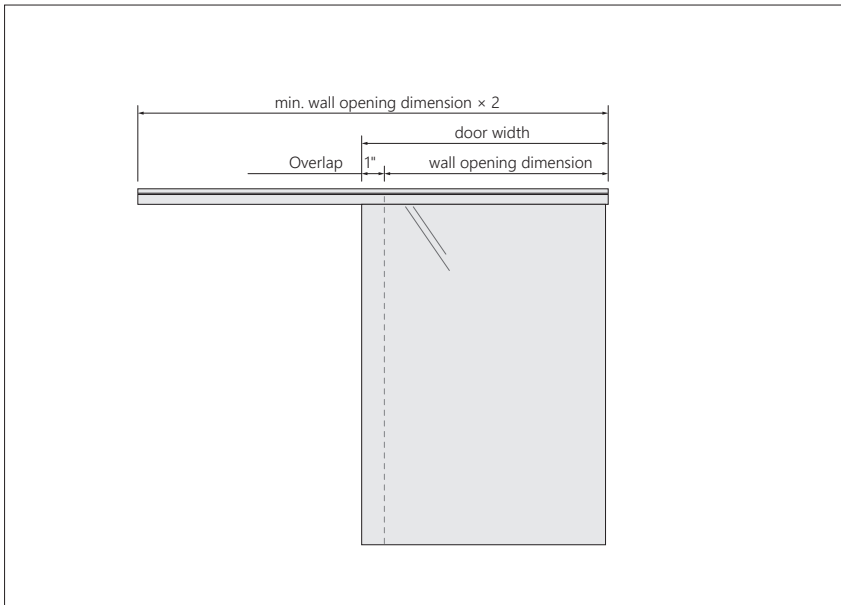


Sliding Door Hardware for Glass Doors - with clamp

View



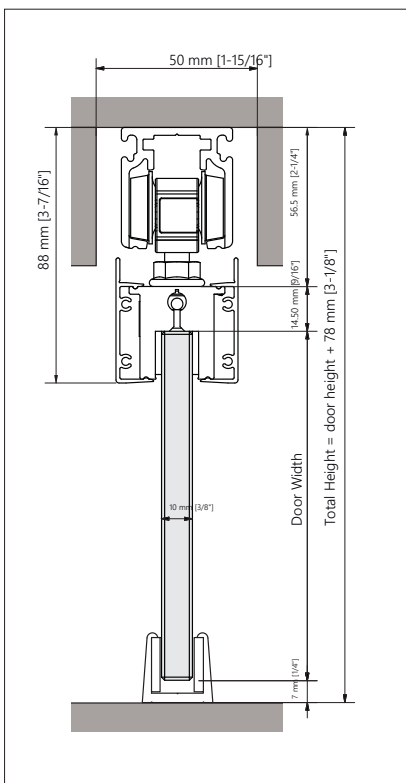
Formulas

- **Door Width** = wall opening dimension + 25 mm [1"]
- **Length of Track** = min. wall opening dimension × 2 + 100 mm [3-15/16"]

(A 25 mm [1"] overlap is recommended)

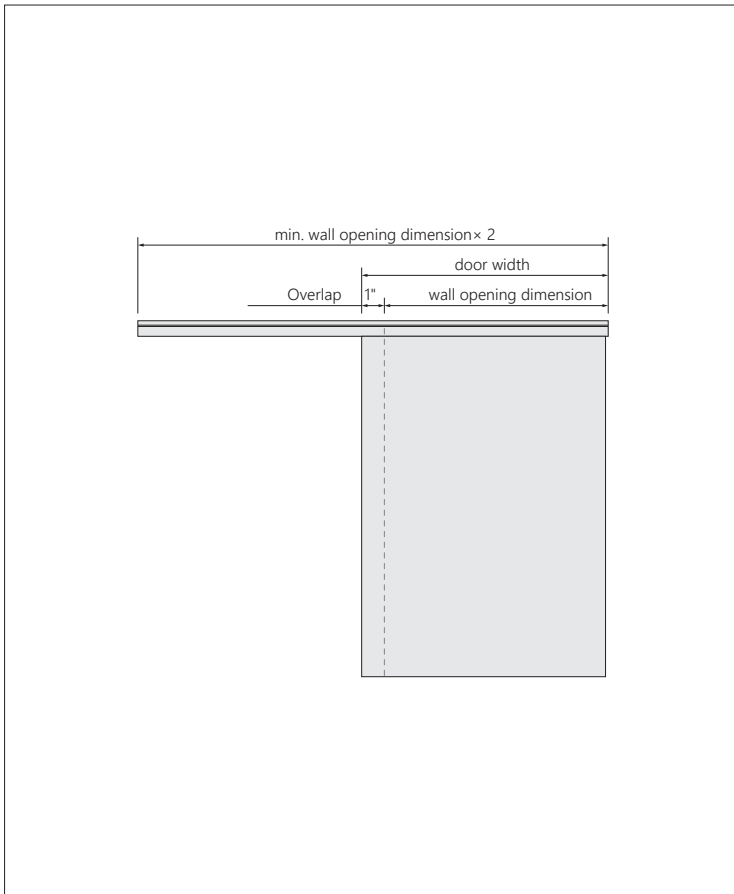
- **Door Thickness:** 10 mm [3/8"]
- **Door Height** = Track - 69 mm [2-11/16"]

Pocket Assembly



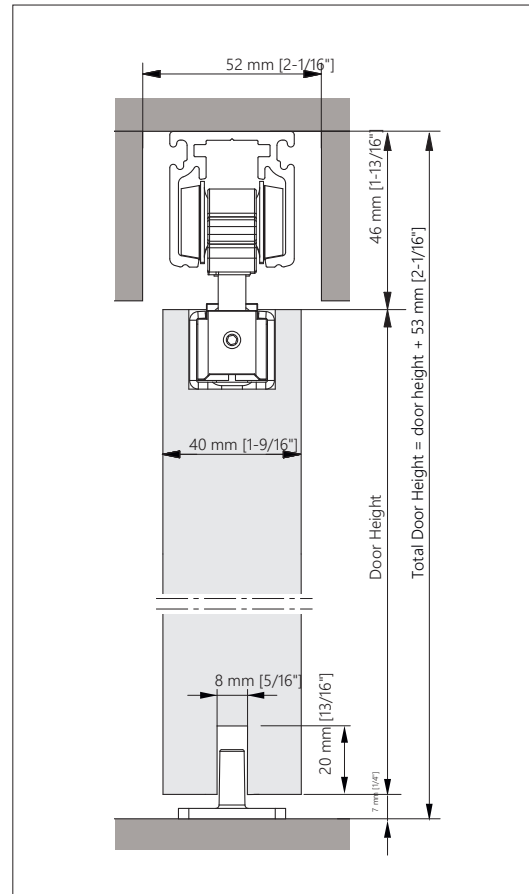
Sliding Door Hardware for Wood Doors with Recessed Mounting

View



- **Door Width** = wall opening dimension + 25 mm [1"]
- **Length of Rail** = min. wall opening dimension x 2 + 100 mm [3-15/16"]
 (A 25 mm [1"] overlap is recommended)

Vertical View



- **Door Thickness:** 40 mm [1-9/16"]
- **Door Height**= track - 53 mm [2-1/16"]