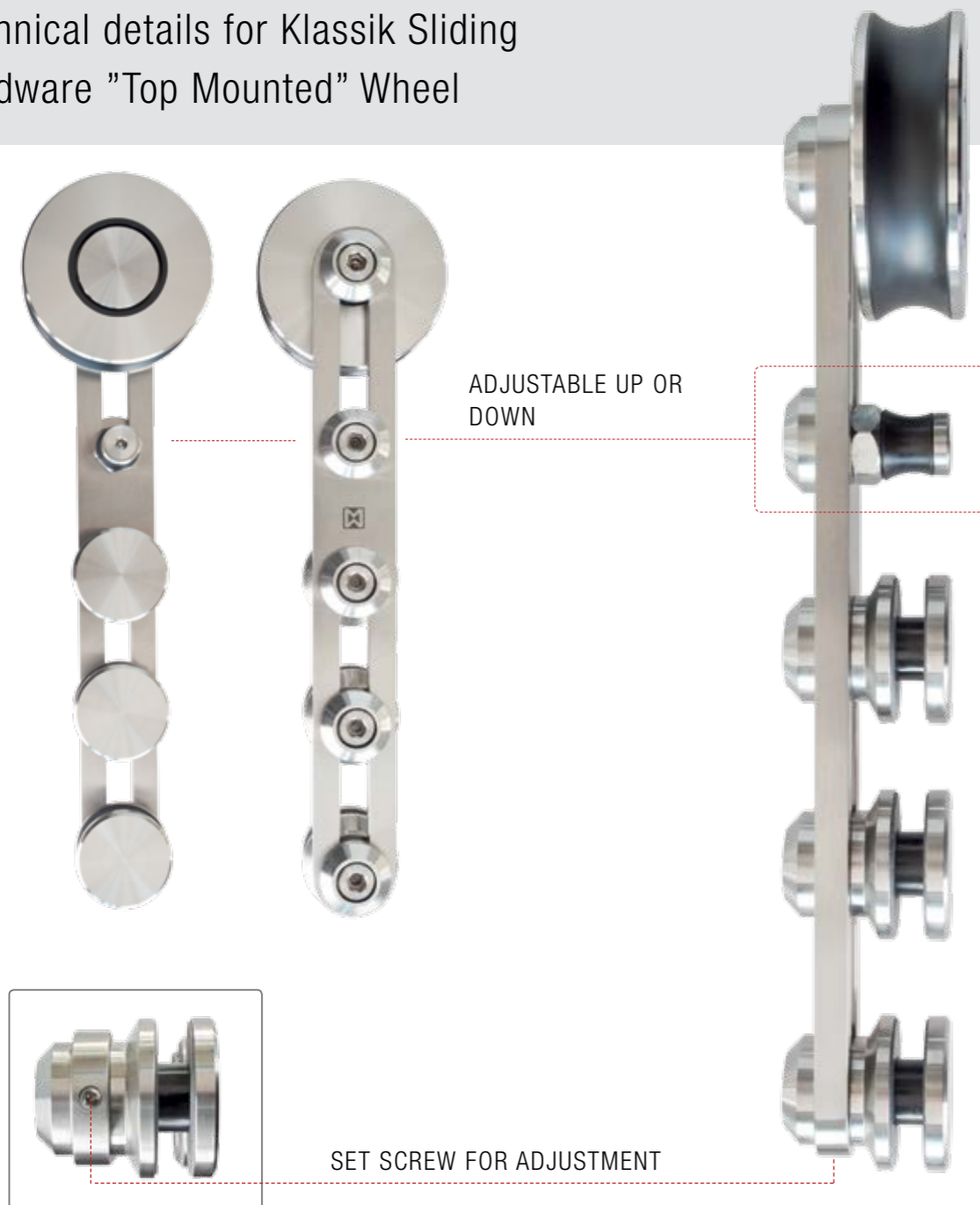


## Technical details for Klassik Sliding Hardware "Top Mounted" Wheel



## EASY TO ADJUST EVEN AFTER INSTALLATION!

+ Even after assembly, the door can be opened by means of a set screw on the underside of the wheel assembly



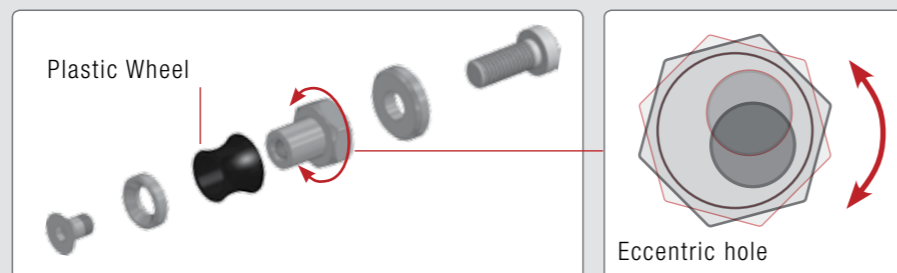
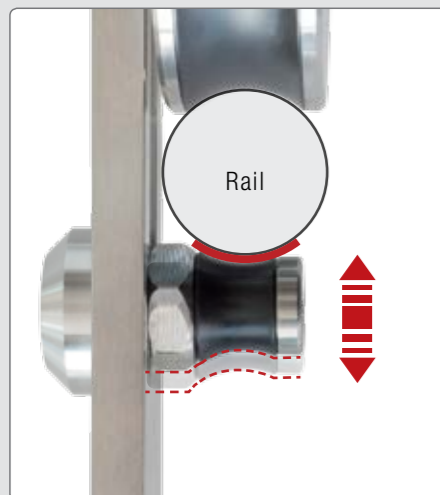
This type of height adjustment is standard on both the **Klassik** and **ProTec**.

This set screw allows the door leaf to be adjusted to the exact millimeter. Especially when double-leaf systems are used, the glass edges can easily be adjusted to a perfect parallel position.



## ADJUSTABLE UP OR DOWN

- + Perfect sliding is guaranteed by the wheel assembly
- + Adjustable by the eccentric hole
- + Stability is due to the quality stainless steel components



## RAIL IS SOLID STAINLESS STEEL

- + Solid rails allow for sliding to be quiet
- + Heavy load capability due to the overall quality construction

