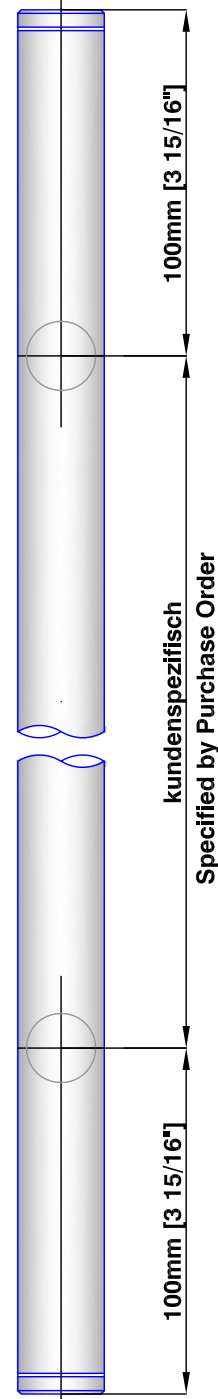
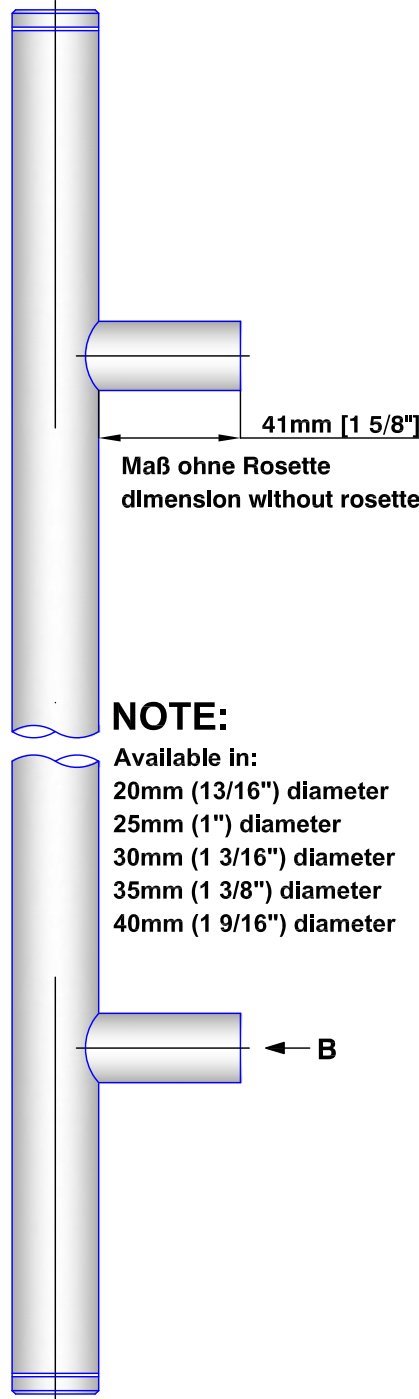
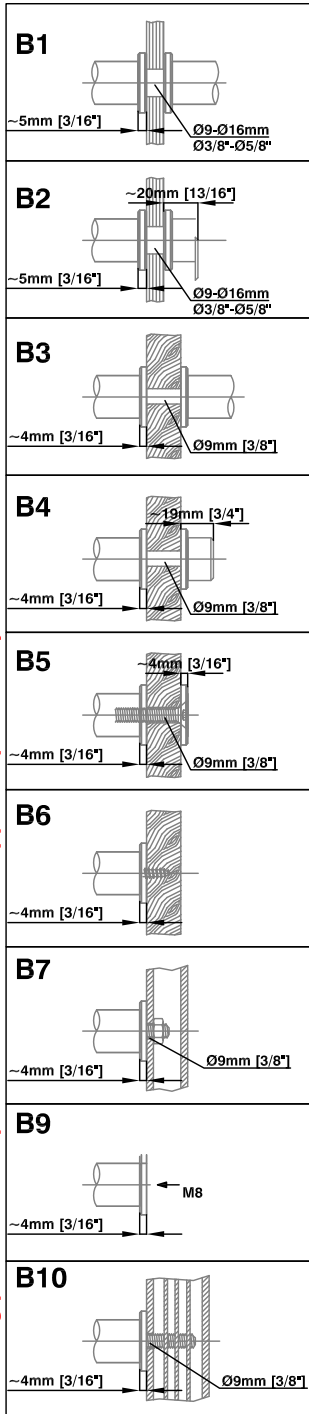


Specify panel thickness for purchase!

Mounting parts "B" for 2 pieces of door handle support! Specified by Purchase Order



NOTE:
 Available in:
 20mm (13/16") diameter
 25mm (1") diameter
 30mm (1 3/16") diameter
 35mm (1 3/8") diameter
 40mm (1 9/16") diameter

kundenspezifisch
 Specified by Purchase Order

[Z:\BARTELS NETWORK\VENDOR\MWE\SPEC5]

pull bar: **KLASSIK [TG.1101]**

All millimeter dimensions are exact and supersede the inch conversions.

PREPARED DATE: 14.January.2014 PREPARED BY: C. ANDRYKA

1901 Tigertail Blvd.
 Dania Beach, FL 33004
 Phone: 954.924.6137
 Fax: 954.924.6138
www.bartelsdoors.com