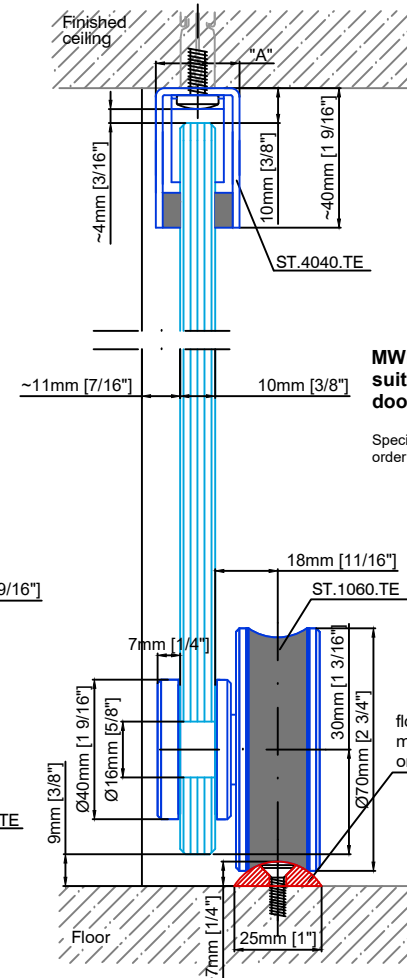
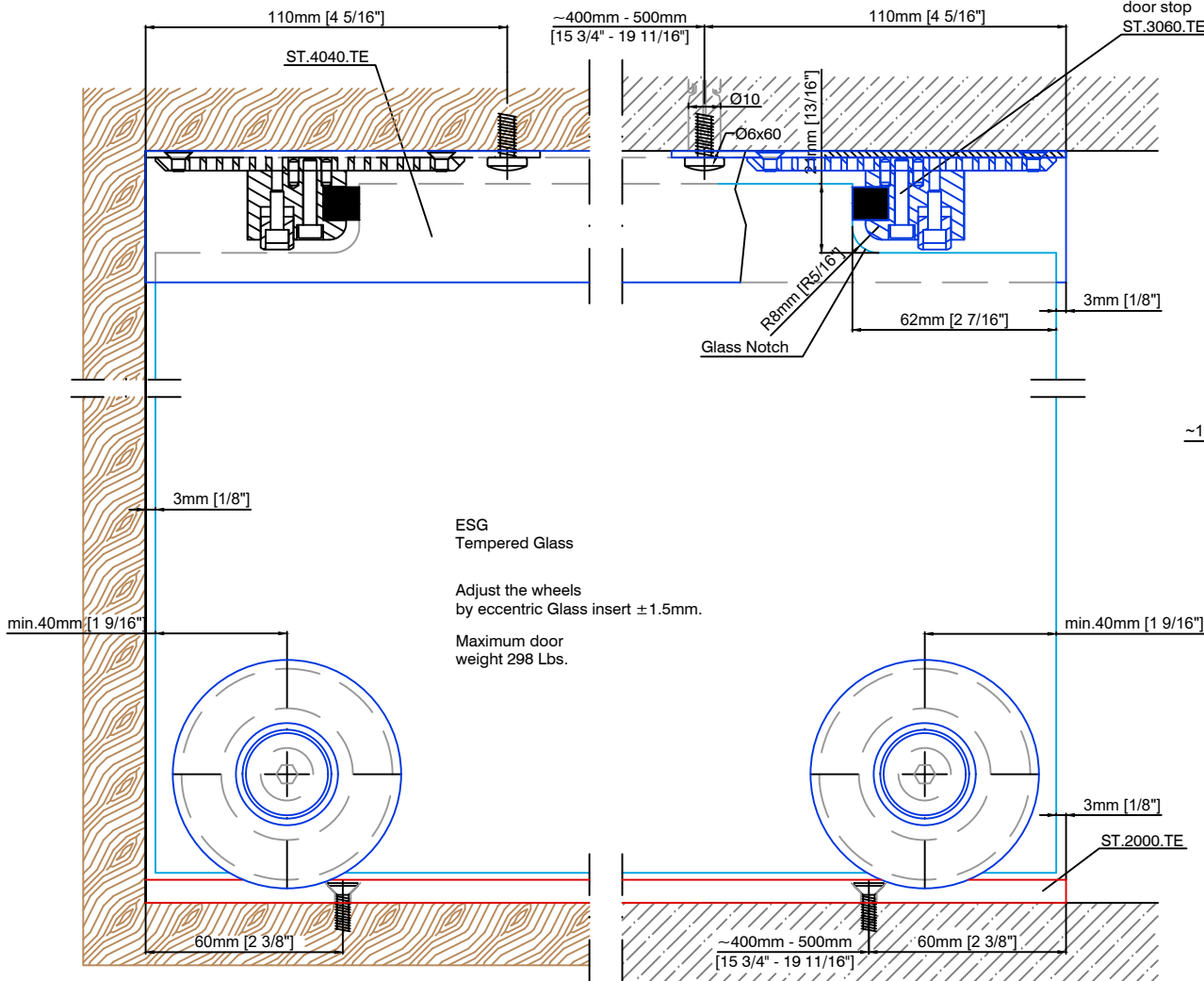


Technical drawings are subject to change without notice.
All millimeter dimensions are exact and supersede inch conversions.

Copyright MWE NA Inc., all rights reserved. Reproduction or other use of these designs without written consent from MWE NA Inc. is prohibited.

door width	dimension	8mm Glass	10mm Glass	12mm Glass
0 - 500mm	A	23mm	25mm	27mm
501 - 1200mm	A	24mm	26mm	28mm
1201 - 2500mm	A	26mm	28mm	30mm

		5/8"	10mm	12mm
0 - 19 11/16"	A	7/8"	1"	1 1/16"
19 3/4" - 47 1/4"	A	15/16"	1"	1 1/8"
47 5/16" - 98 7/16"	A	1"	1 1/8"	1 3/16"



MWE wheel assemblies are suitable for all US standard door thicknesses!

Specify door thickness on purchase order.

Terra ST.1060.TE

Date Prepared: July 2018

Prepared By: CDA | JRT



Email: info@mwe-na.com
www.mwe-na.com