



Finish: satin stainless steel (71), polished stainless steel (72) & cosmos black (83)

**To suit 2 1/8" door prep**

**UEDB2 Deadbolt Set**

UEDB2 71	Deadbolt in finish satin stainless steel
UEDB2 72	Deadbolt in finish polished stainless steel
UEDB2 83	Deadbolt in finish cosmos black

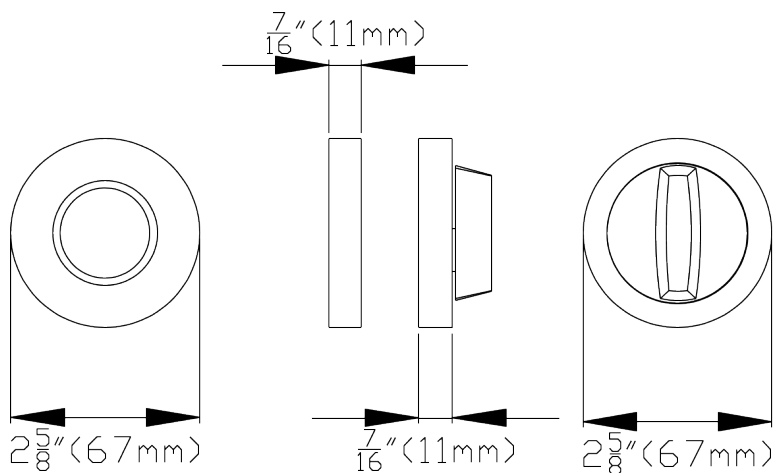
**Features UEDB2**

- Stainless steel cylinder collar (ø 2 5/8" (67mm))
- Concealed fixing interior rose based on 3 piece rose system (ø 2 5/8" (67mm))
- UEDB 2 Design harmonized with the US-Latch sets
- Suits standard 2 1/8" (54mm) door prep
- Door range: 1 3/8" - 2 9/16 (35 - 65 mm) standard
- For door thickness 1 3/8" - 1 11/16" (35 - 43 mm) a distance ring (UEZ D1 12) required
- Adjustable latch with a backset of 2 3/8" (60 mm) and 2 3/4" - (70 mm)
- Solid Brass Cylinder C keyway
- Stainless steel strike plate with plastic dust cover
- Stainless steel latch face plate

**Special option:**

- UZUL D67: UL listed latch

**specification details**





Finish: satin stainless steel (71), polished stainless steel (72) & cosmos black (83)

**To suit 2 1/8" door prep**

**UEDBQ2 Deadbolt Set**

UEDBQ2 71	Deadbolt in finish satin stainless steel
UEDBQ2 72	Deadbolt in finish polished stainless steel
UEDBQ2 83	Deadbolt in finish cosmos black

**Features UEDBQ2**

- Stainless steel cylinder collar (ø 2 5/8" (67mm))
- Concealed fixing interior rose based on 3 piece rose system (ø 2 5/8" (67mm))
- UEDB 2 Design harmonized with the US-Latch sets
- Suits standard 2 1/8" (54mm) door prep
- Door range: 1 3/8" - 2 9/16 (35 - 65 mm) standard
- For door thickness 1 3/8" - 1 11/16" (35 - 43 mm) a distance ring (UEZ D1 12) required
- Adjustable latch with a backset of 2 3/8" (60 mm) and 2 3/4" - (70 mm)
- Solid Brass Cylinder C keyway
- Stainless steel strike plate with plastic dust cover
- Stainless steel latch face plate

**Special option:**

- UZUL D67: UL listed latch

**specification details**

