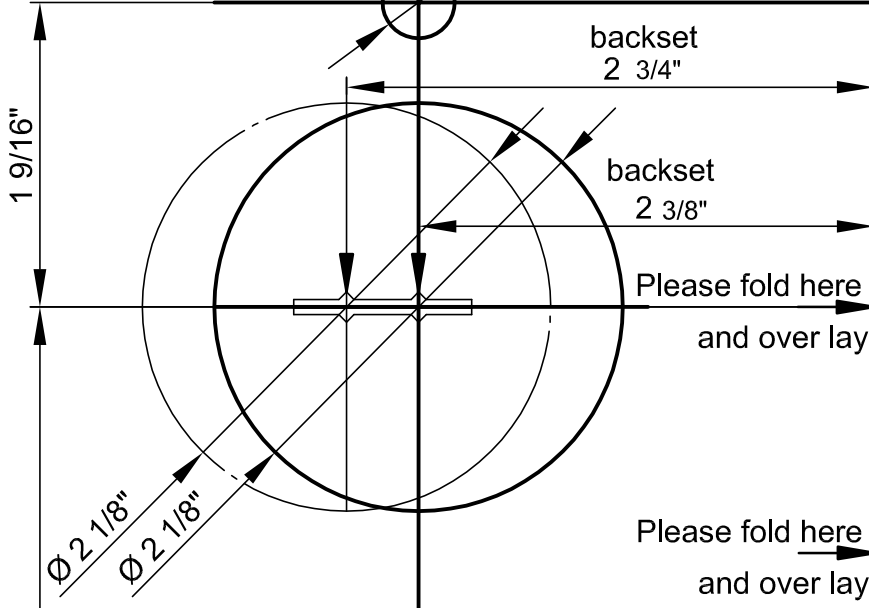
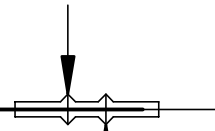


UP



center line latch
1 3/8" door thickness



center line latch
1 3/4" door thickness

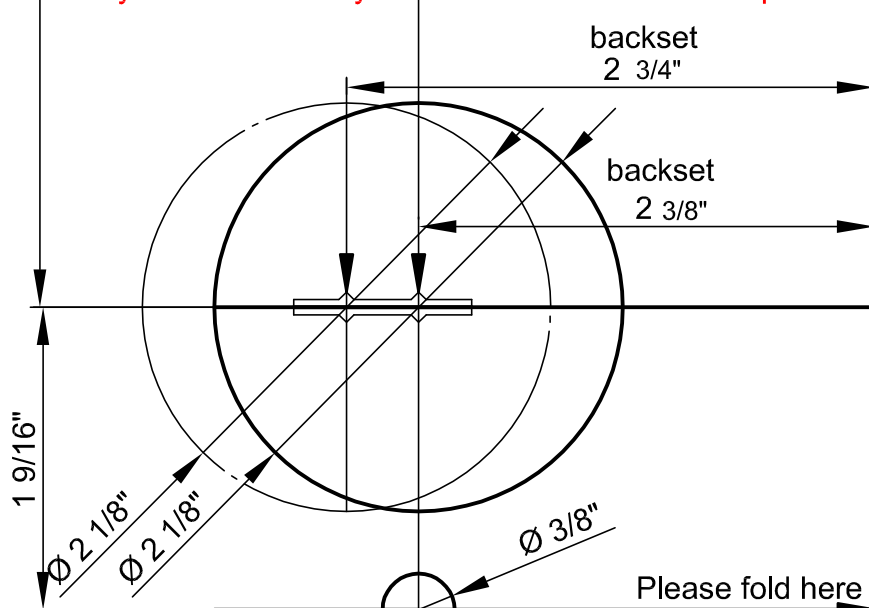
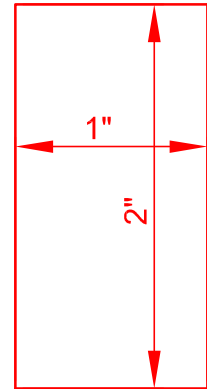
Please fold here
Please fold here
and over lay at door edge

Please fold here
Please fold here
and over lay at door edge

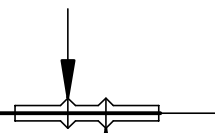
DRILLING TEMPLATE for USA BACKPLATE

5 1/2"

Please do not change the scale and do not use the zoom in the printer options by printing. Please do not fit the print to the paper size but print in the original size. After printing, please check the dimensions showed besides (1", 2"). If they are not correct you can not use this as a template.



center line latch
1 3/8" door thickness



center line latch
1 3/4" door thickness

Please fold here
Please fold here
and over lay at door edge

BOTTOM